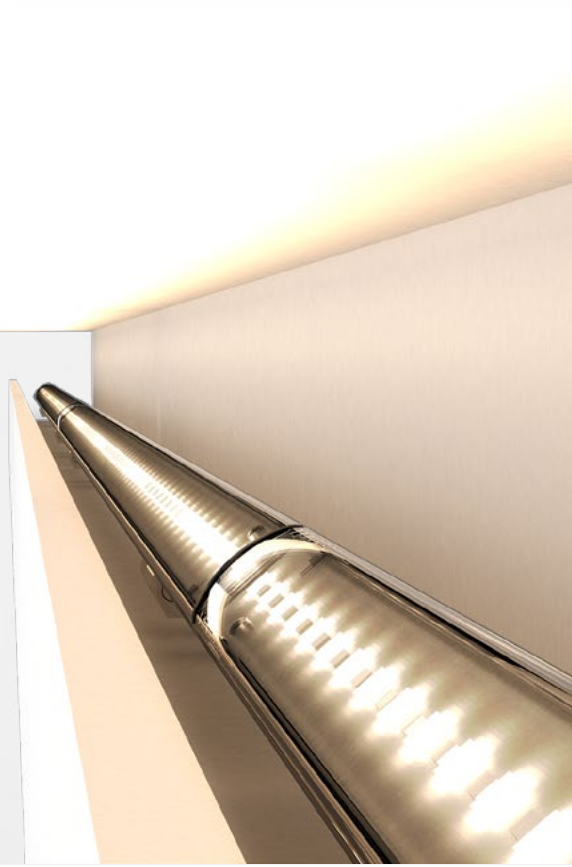


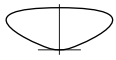
PROJECT:	TYPE:	CAT. #:	PAC	-	4	-	-	120°	-	SM	-	-	120	-	TRI	-	WH	-
----------	-------	---------	-----	---	---	---	---	------	---	----	---	---	-----	---	-----	---	----	---

PROFILE

LIGHT SOURCE	4W/FT
OPTICS	120°X120°
CCT	2700K, 3000K, 3500K, 4000K
CRI	90+
PERFORMANCE	UP TO 561 PEAK CANDELA
VOLTAGE	120 LINE VOLTAGE
POWER	INTEGRATED POWER SUPPLY
CONTROL	FLICKER FREE TRIAC DIM TO 10% ELV REVERSE PHASE, TRAILING EDGE
WEIGHT	0.35 LBS (0.15 KG) - 1.4 LBS (0.64 KG)
HOUSING	ABS EXTRUDED HOUSING
EPA	0.483 FT ²
LENS	POLYCARBONATE LENS
FINISH	WHITE ABS EXTRUDED HOUSING AND MOLDED END-CAPS
WARRANTY	5-YEAR LIMITED
OPERATING TEMP	-25° C TO 40° C
LUMEN MAINTENANCE	75,000 HOURS L70
CERTIFICATION	ETL LISTED FOR DAMP/DRY LOCATION

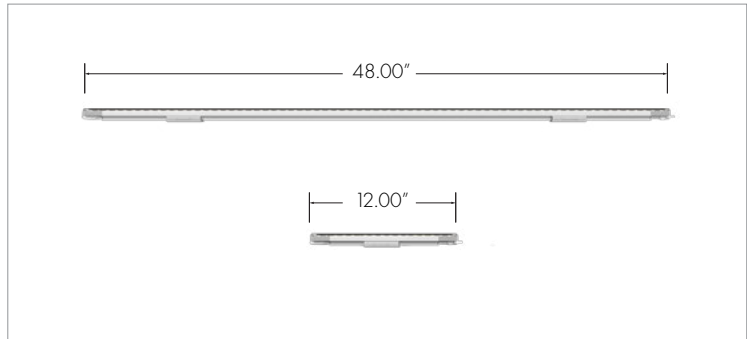


OPTICS



120°

DIMENSIONS



PERFORMANCE SUMMARY

4000K, 4W/FT	LUMENS	PEAK CANDELA
120°	1548	561

ACCESSORIES / OPTIONS



FROSTED LENS

PROJECT:	TYPE:	CAT. #:	PAC	-	4	-	-	120°	-	SM	-	-	120	-	TRI	-	WH	-
----------	-------	---------	-----	---	---	---	---	------	---	----	---	---	-----	---	-----	---	----	---

SPECIFICATION

PAC	4		120°	SM		120	TRI	WH	seperate options choices dashes		
1	2	3	4	5	6	7	8	9	10		
1 FIXTURE	PAC		4 OPTICS	120°		7 VOLTAGE	120V		9 FINISH	WHITE	WH
	PAC			120			120			finish is subject to change without notice.	
2 WATTAGE	LOW OUTPUT		5 MOUNTING	SURFACE		8 CONTROL	TRIAC DIMMING		10 OPTIONS	FROSTED LENS	
	4 WATTS/FT			SM			TRI			FL	
							120V only Trailing Edge, reverse phase 10%-100%				
3 CCT	2700K		6 FIXTURE LENGTH	12"							
	27K			48"							
	3000K										
	30K										
	3500K										
	35K										
	4000K										
	40K										

IQ QUICKSHIP

[see Quickship Guide >](#)

IQ/PAC/4W/35K/120°/SM/12/120/TRI/WH/FL
IQ/PAC/4W/35K/120°/SM/48/120/TRI/WH/FL

The listed configurations are eligible for the Insight Quickship program.

CONTROL & WIRING ORDER OPTIONS

LEADER CABLES

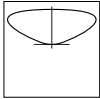
10' WHITE LEADER CABLE PACL-10
used for connection to the start of each run.
end of line terminator provided with each leader cable.
a leader cable is required with each fixture run for connection from j-box to the first fixture.

JUMPER CABLES

6" WHITE JUMPER CABLE PACJ-6"
1' WHITE JUMPER CABLE PACJ-1'
5' WHITE JUMPER CABLE PACJ-5'
plug and play installation allows for end-to-end fixture connection without additional AC jumpers.
if fixtures are not mounted in an end-to-end continuous manner, AC jumpers are required.

PROJECT:	TYPE:	CAT. #:	PAC	-	4	-	-	120°	-	SM	-	-	120	-	TRI	-	WH	-
----------	-------	---------	-----	---	---	---	---	------	---	----	---	---	-----	---	-----	---	----	---

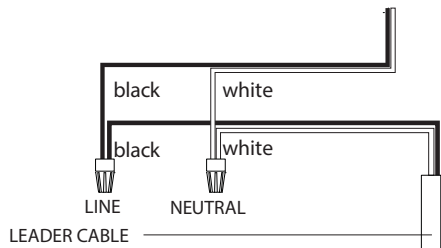
PERFORMANCE

OPTIC	4 WATTS /FT (CLEAR LENS)			4 WATTS /FT (FROSTED LENS)		
	DELIVERED LUMENS	LUMINARE EFFICACY	PEAK CANDELA	DELIVERED LUMENS	LUMINARE EFFICACY	PEAK CANDELA
120° 	1548 lm	101.3 lm/W	561	1102 lm	77.0 lm/W	347

FIXTURES PER CIRCUIT (13 AMP CIRCUIT)

4 WATTS/FT	
FIXTURE LENGTH	120V
12"	100 FIXTURES
48"	25 FIXTURES

WIRING (NON-DIMMING / TRIAC WIRING)



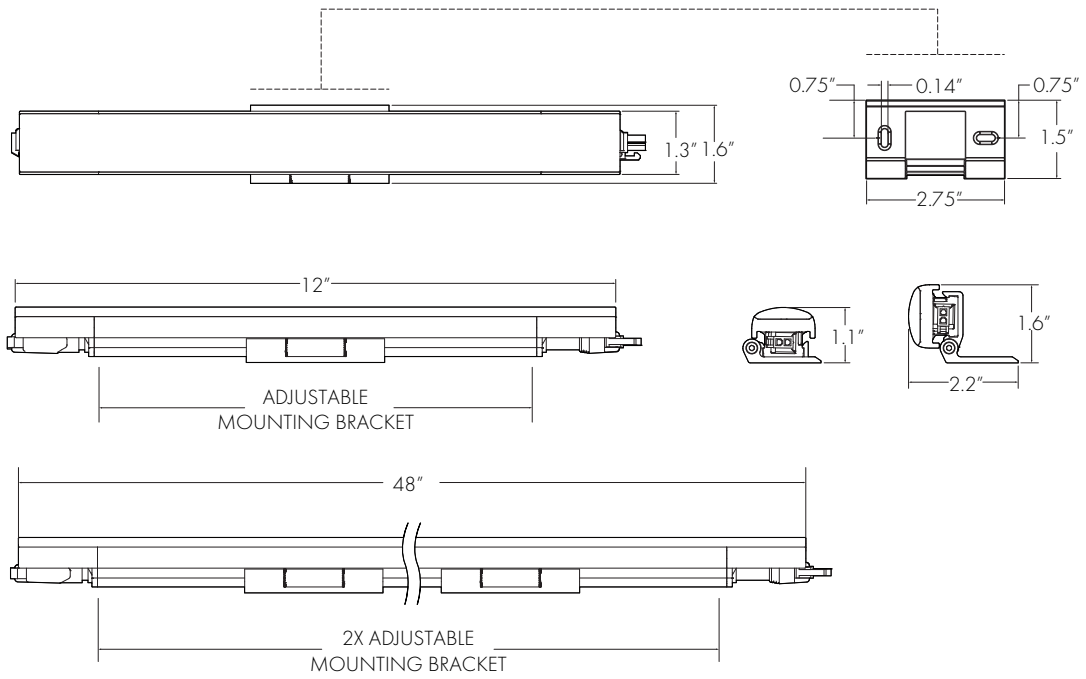
! WARNING

DISCONNECT POWER BEFORE INSTALLING OR SERVICING TO AVOID ELECTRICAL SHOCK.

PROJECT:	TYPE:	CAT. #:	PAC	-	4	-	-	120°	-	SM	-	-	120	-	TRI	-	WH	-
----------	-------	---------	-----	---	---	---	---	------	---	----	---	---	-----	---	-----	---	----	---

DIMENSIONS

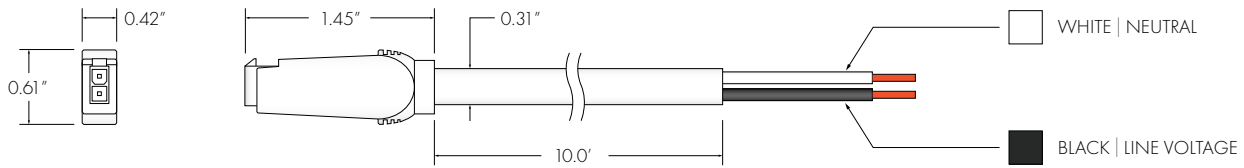
SURFACE



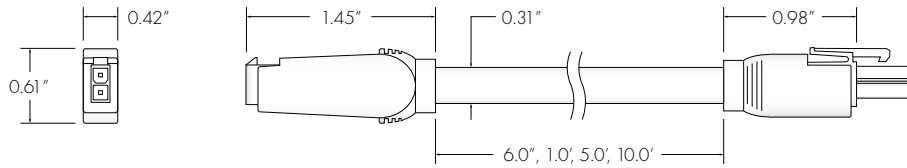
PROJECT:	TYPE:	CAT. #:	PAC	-	4	-	-	120°	-	SM	-	-	120	-	TRI	-	WH	-
----------	-------	---------	-----	---	---	---	---	------	---	----	---	---	-----	---	-----	---	----	---

CABLES

PAC LEADER (PACL) - PILOT AC WHITE | 2x16AWG | 105°C | 300V | 300V



PAC JUMPER (PACJ) WHITE | 2x16AWG | 105°C | 300V



PAC TERMINATOR (PACT) WHITE | 105°C | 300V

