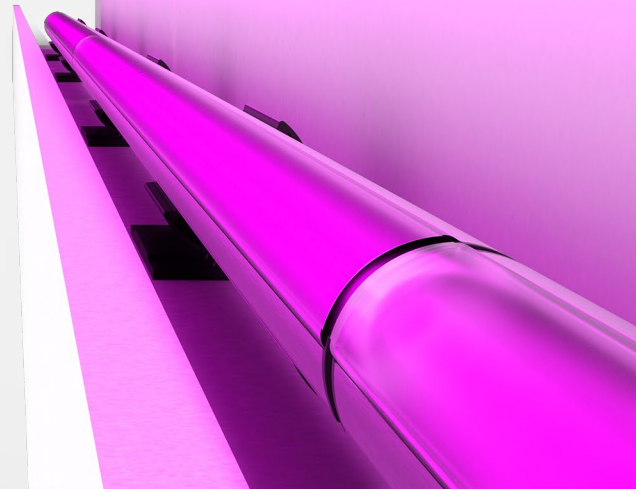


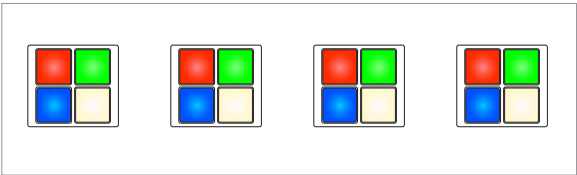
PROJECT:	TYPE:	CATALOG #:	PCM -	- RGBWq -	120 -	SM -	- UNV -	- MG -
----------	-------	------------	-------	-----------	-------	------	---------	--------

PROFILE

LIGHT SOURCE	5W/FT, 7W/FT, 10 W/FT
OPTICS	120°x 120°
CCT	RGBWq
PERFORMANCE	45 lm/W
VOLTAGE	UNIVERSAL 120-277VAC (NOT AVAILABLE IN 240V)
POWER	INTEGRATED POWER SUPPLY
CONTROL	DMX FIXTURE, SYSTEM OR FT BY FT RESOLUTION
DIMENSIONS	1.87" x 1.93" x 12" - 1.87" x 1.93" x 48"
WEIGHT	1.6 LBS (0.72 KG) - 6.0 LBS (2.72 KG)
HOUSING	EXTRUDED ALUMINUM HOUSING, MOLDED END CAPS
EPA	0.483 FT ²
LENS	FROSTED POLYCARBONATE LENS
FINISH	ANODIZED METALLIC GRAY
WARRANTY	5-YEAR LIMITED
OPERATING TEMP	-25° C TO 40° C
LUMEN MAINTENANCE	75,000 HOURS
CERTIFICATION	ETL, cETL FOR DAMP/DRY LOCATION

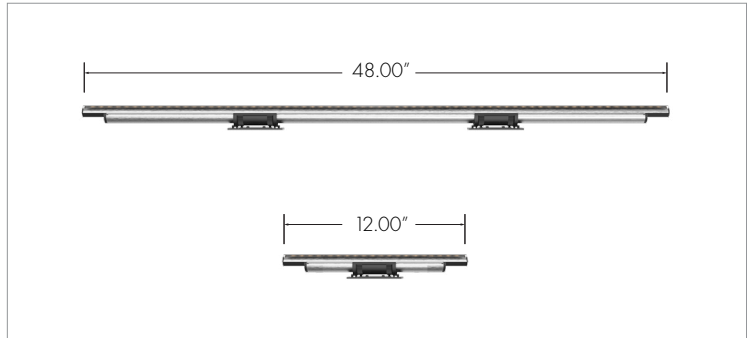


QUAD CHIP (RGBWq)



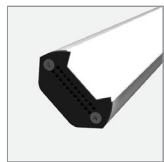
The Quad Array integrates multiple colors (ie; red, green, blue, white) into a single location for immediate and superior color saturation. This is ideal for direct line of sight applications where the face of the fixture is visible, creating color consistency between the luminaire and the illuminated surface. LED color combinations may be customized to suit any application (ex: royal blue, cyan, lime and white). Please contact factory for special branding requirements.

DIMENSIONS



PERFORMANCE SUMMARY

RWBWQ, 10W	LUMENS	PEAK CANDELA
120°	1766	651



FROSTED LENS

PROJECT:	TYPE:	CATALOG #:	PCM -	- RGBWq -	120 -	SM -	- UNV -	- MG -
----------	-------	------------	-------	-----------	-------	------	---------	--------

SPECIFICATION

1 PCM	2 RGBWq	3 120	4 SM	5 UNV	6 MG	7 10			
1 FIXTURE PILOT PCM PCM	2 WATTAGE 5 WATTS/FT 5 7 WATTS/FT 7 10 WATTS/FT 10	3 CCT RED, GREEN, BLUE, 40K RGBWq	4 OPTICS 120°X120° 120	5 MOUNTING SURFACE SM	6 FIXTURE LENGTH 12" 12 48" 48	7 VOLTAGE 120-277VAC UNV not available in 240V an AC Leader Cable is required with each fixture run for connection from first fixture to the j-box.	8 CONTROL OPTIONS DMX FT BY FT RESOLUTION DMXFT DMX FIXTURE RESOLUTION DMXFX DMX SYSTEM RESOLUTION DMXSY DMX controls are required and must be ordered separately. Requires a DMX Distribution Kit. See below. Default factory programming setting is System Resolution. All fixtures are shipped from the factory with default channels 1-4. Fixtures are not pre-addressed or labeled at the factory. Addressing and labeling must be done in the field.	9 FINISH METALLIC GRAY MG finish is subject to change without notice.	10 OPTIONS CLEAR LENS CL

iq QUICKSHIP [see Quickship Guide >](#)

IQ/PCM/10W/RGBWq/120°/SM/12/UNV/DMXFX/MG
IQ/PCM/10W/RGBWq/120°/SM/48/UNV/DMXFX/MG

The listed configurations are eligible for the Insight Quickship program. See Quickship Guide for complete list of available products and more information.

CONTROL & WIRING ORDER OPTIONS

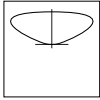
DMX DISTRIBUTION KIT - REQUIRED	
DMX/RDM DISTRIBUTION KIT (3 OUTPUTS) - IP67 DMX/RDM DISTRIBUTION KIT consists three outputs. Each output is limited to (1) run per output, up to 32 fixtures max. Three terminators are included for end of line termination.	CDS-RDM

LEADER CABLES	
10' BLACK LEADER CABLE used for connection to the start of each run. end of line terminator provided with each leader cable. a leader cable is required with each fixture run for connection from j-box to the first fixture.	PCML-10/0-10V

JUMPER CABLES	
1' BLACK JUMPER CABLE for 0-10V runs	PCMJ-1/0-10V
5' BLACK JUMPER CABLE for 0-10V runs plug and play installation allows for end-to-end fixture connection without additional AC jumpers. if fixtures are not mounted in an end-to-end continuous manner, AC jumpers are required.	PCMJ-5/0-10V

PROJECT:	TYPE:	CATALOG #:	PCM -	- RGBWq -	120 -	SM -	- UNV -	- MG -
----------	-------	------------	-------	-----------	-------	------	---------	--------

PERFORMANCE

OPTIC	10 WATTS/FT (CLEAR LENS)			10 WATTS/FT (FROSTED LENS)		
	DELIVERED LUMENS	LUMINARE EFFICACY	PEAK CANDELA	DELIVERED LUMENS	LUMINARE EFFICACY	PEAK CANDELA
120° 	1768 lm	45 lm/W	651	1581 lm	41 lm/W	524

FIXTURES PER CIRCUIT

FIXTURE LENGTH	120V	277V
12"	49 FIXTURES	90 FIXTURES
48"	19 FIXTURES	38 FIXTURES

PROJECT:	TYPE:	CATALOG #:	PCM -	-RGBWq-	120 -	SM -	-	UNV -	-	MG -
----------	-------	------------	-------	---------	-------	------	---	-------	---	------

DIMENSIONS

SURFACE (SM)

