

PROJECT: _____ TYPE: _____ CATALOG #: PEX - - - - - UNV - - - - -

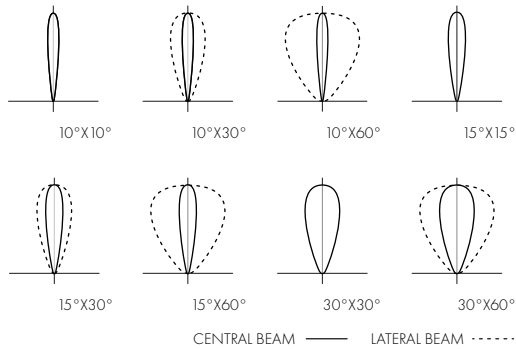
PROFILE

LIGHT SOURCE	12W/FT
CCT	RGBWd, AWHd, RGBWq
VOLTAGE	LINE VOLTAGE, 0-10V-110V-277V (NOT AVAILABLE IN 240V)
POWER	INTEGRATED POWER SUPPLY
CONTROL	DMX / RDM
DIMENSIONS	2.5" x 1.75" x 12" or 48"
WEIGHT	12": 1.65 LBS, 48": 6 LBS.
HOUSING	EXTRUDED ALUMINUM HOUSING
LENS	TEMPERED GLASS
FINISH	METALLIC GRAY
WARRANTY	5-YEAR LIMITED
OPERATING TEMP	-25° C TO 50° C
LUMEN MAINTENANCE	75,000 HOURS
CERTIFICATION	ETL AND cETL FOR WET LOCATION, IP67

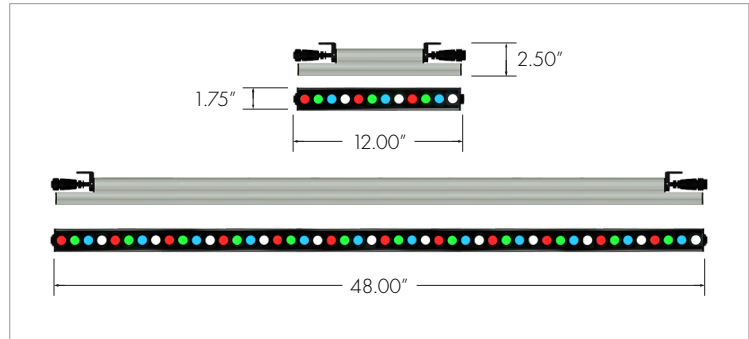


OPTICS

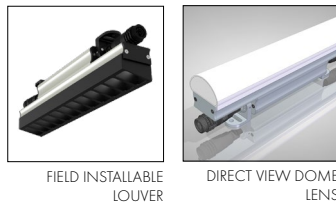
NOT ALL AVAILABLE OPTICS SHOWN



DIMENSIONS



ACCESSORIES / OPTIONS



PROJECT: _____ TYPE: _____ CATALOG #: PEX - - - - - UNV - - - - -

SPECIFICATION

PEX	12					UNV		MG	
-----	----	--	--	--	--	-----	--	----	--

1	2	3	4	5	6	7	8	9	10
---	---	---	---	---	---	---	---	---	----

1 FIXTURE

PILOT EXTERIOR SERIES PEX

2 WATTAGE

12 WATTS 12

3 CCT

DISCRETE LED CHIP
RED, GREEN, BLUE, 40K RGBWd
ACTIVE WHITE AWH
active white Kelvin tunable 2200K-4000K

QUAD LED CHIP

RED, GREEN, BLUE, 40K RGBWq
Quad chip is only available with 100°X100° optics

4 OPTICS

10° X 10° 1010
10°X10° optic is intended for a 6" fixture setback from the source

10°X30° 1030

10°X60° 1060

15°X15° 1515

15°X30° 1530

15°X60° 1560

30°X30° 3030

30°X60° 3060

60°X60° 6060

100°X100° 100100

ASYMMETRIC ASY

5 MOUNTING

SURFACE CEILING SM

EXTENDED ARM EXA-X

X = Specify 6", 12" or 18"

6 LENGTH

12" 12

48" 48

7 VOLTAGE

110V-277VAC UNV
not available in 240V

an AC Leader Cable is required with each fixture run for connection from first fixture to the j-box.

8 CONTROL OPTIONS

DMX FT BY FT RESOLUTION DMXFT

DMX FIXTURE RESOLUTION DMXFX

DMX SYSTEM RESOLUTION DMXSY

DMX controls are required and must be ordered separately.

A DMX Distribution Kit is required. See below.

Default factory programming setting is System Resolution. All fixtures are shipped from the factory with default channels 1-4.

Fixtures are not pre-addressed or labeled at the factory. Addressing and labeling must be done in the field.

9 FINISH

METALLIC GRAY MG

10 OPTIONS

LOUVER LV
louver ships separate from the fixture and must be installed in the field

DIRECT VIEW DOME LENS DVD

CONTROL & WIRING OPTIONS

DMX DISTRIBUTION & PROGRAMMING KIT - REQUIRED FOR DMX

DMX DISTRIBUTION KIT (ONLY 3 OUTPUTS) CDS-RDM

DMX distribution kit consists of three outputs and each output accommodates up to 32 fixtures per data feed three terminators are included for use as required, IP67 rated
[go to dmx guide >](#)

EXTERIOR LEADER CABLES

5.0 FT LEADER CABLE - BLACK LC-5-B

10.0 FT LEADER CABLE - BLACK LC-10-B
for line voltage only, REQUIRED for connection at the start of each run
an AC Leader Cable is required with each fixture run for connection from first fixture to the j-box

EXTERIOR JUMPER CABLES

1.0 FT JUMPER CABLE JC-1-B

2.0 FT JUMPER CABLE JC-2-B

5.0 FT JUMPER CABLE JC-5-B

10.0 FT JUMPER CABLE JC-10-B


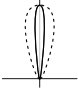
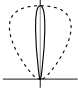

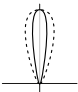
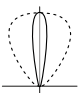

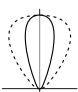
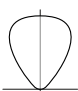
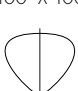
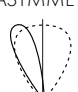
25.0 FT JUMPER CABLE JC-25-B

Required if fixtures are not mounted in an end-to-end continuous manner and for line voltage only

PROJECT:	TYPE:	CATALOG #:	PEX - - - - - UNV - - - - -
----------	-------	------------	-----------------------------

PERFORMANCE

12 WATTS/FT (RGBW, 48" FIXTURE)

OPTIC	DELIVERED LUMENS	LUMINARE EFFICACY	PEAK CANDELA
10°X 10° 	2252 lm	47.0 lm/W	34469
10°X 30° 	2072	43.0 lm/W	10124
10°X 60° 	2072 lm	43.0 lm/W	6749
15°X 15° 	2362 lm	49.0 lm/W	15160
15°X 30° 	2157 lm	45.0 lm/W	7336
15°X 60° 	2150 lm	45.0 lm/W	5610
30°X 30° 	2012 lm	42.0 lm/W	3422
30°X 60° 	1984 lm	41.0 lm/W	2575
60°X 60° 	2290 lm	48.0 lm/W	2551
100°X 100° 	1443 lm	30.0 lm/W	718
ASYMMETRIC 	2046 lm	43.0 lm/W	7357

PROJECT:	TYPE:	CATALOG #:	PEX - - - - - UNV - - - - -
----------	-------	------------	-----------------------------

FIXTURES PER CIRCUIT

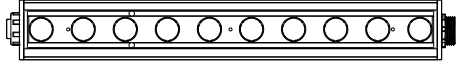
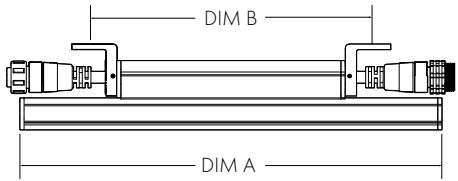
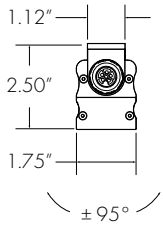
	12 WATTS	
LENGTH	120V	277V
12"	130	300
48"	32	75

PROJECT:	TYPE:	CATALOG #:	PEX - - - - - UNV - - - - -
----------	-------	------------	-----------------------------

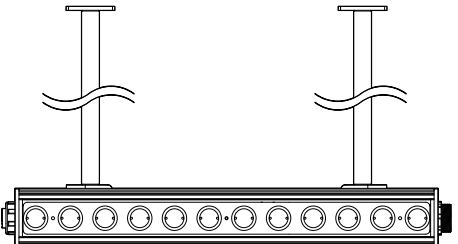
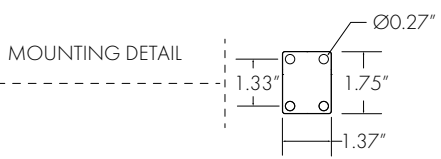
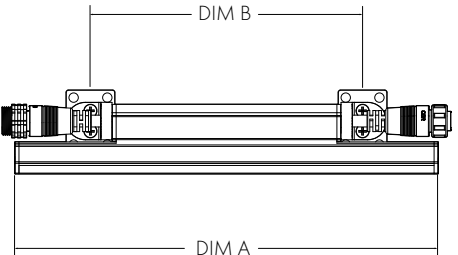
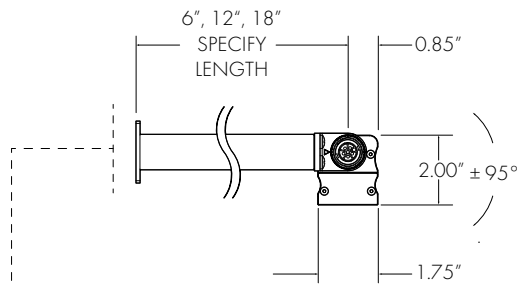
DIMENSIONS

DIMENSION	12"	48"
DIM A	12.00"	48.00"
DIM B	8.43"	32.62"

SM - SURFACE MOUNT

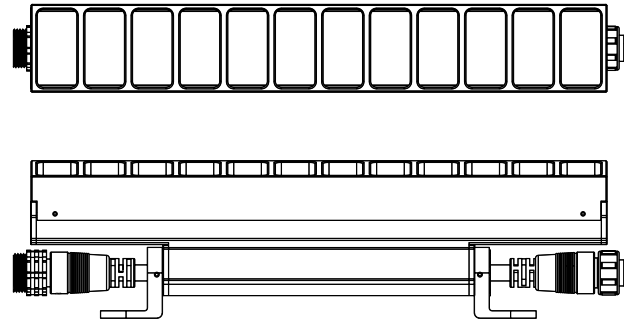
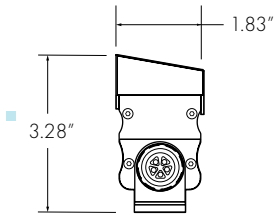


EXA - EXTENDED ARM MOUNT



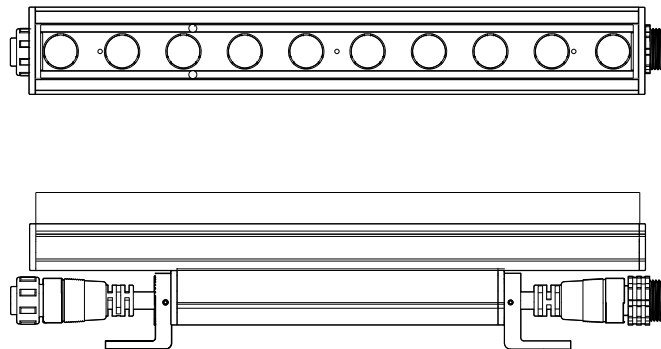
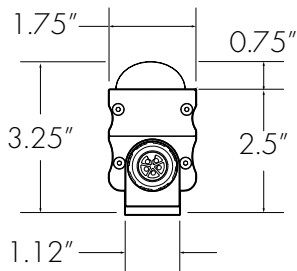
PROJECT: _____ TYPE: _____ CATALOG #: PEX - - - - - UNV - - - - -

LOUVER - LV



LOUVER SHIPS SEPARATE FROM THE FIXTURE AND MUST BE INSTALLED IN THE FIELD

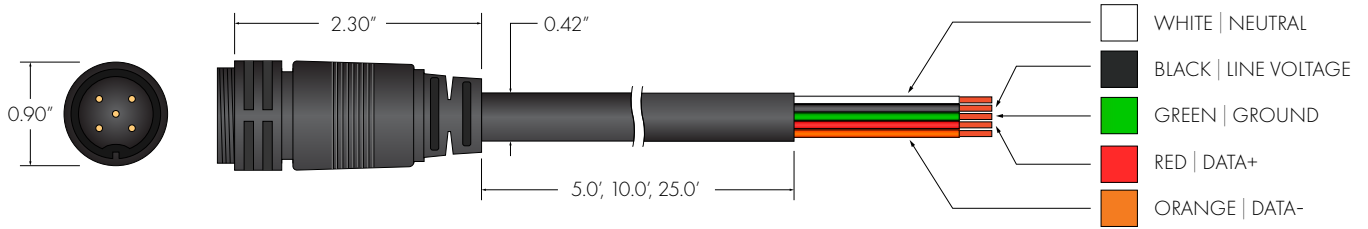
DIRECT VIEW DOME LENS - DVD



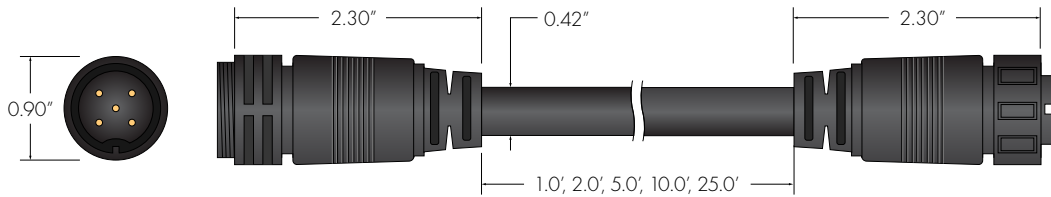
PROJECT: _____ TYPE: _____ CATALOG #: _____

CABLES

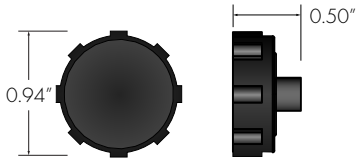
AC LEADER (ACLM) WHITE/BLACK | 5x16AWG | 105°C | 300V | IP67



AC JUMPER (ACJM) WHITE/BLACK | 5x16AWG | 105°C | 300V | IP67



AC CAP (EL11447) WHITE/BLACK | 105°C | 300V | IP67



AC TERMINATOR (EL11586) WH/BL | 105°C | 300V

