

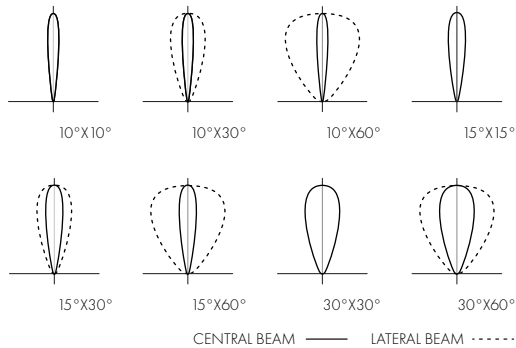
PROJECT:	TYPE:	CAT. #:	PEX - - - - - UNV - - -
----------	-------	---------	-------------------------

**PROFILE**

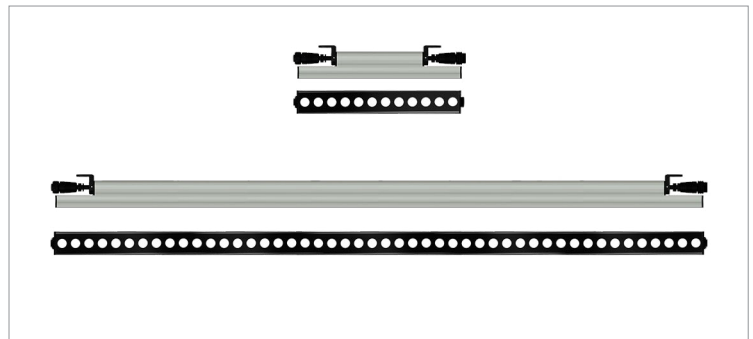
LIGHT SOURCE	4W/FT, 7W/FT, 10W/FT
CCT	2700K, 3000K, 3500K, 4000K, STATIC COLORS
CRI	82 CRI
PERFORMANCE	UP TO 48038 PEAK CANDELA
VOLTAGE	LINE VOLTAGE, 0-10V-110V-277V (NOT AVAILABLE IN 240V)
POWER	INTEGRATED POWER SUPPLY
DIMMING	FLICKER FREE DIMMABLE TO 3%. 0-10V, (SINK), DMX DIMMING
DIMENSIONS	2.5"x1.75"x12" or 2.5"x1.75"x48"
WEIGHT	12.0": 1.65 LBS, 48.0": 6 LBS
HOUSING	EXTRUDED ALUMINUM HOUSING
LENS	TEMPERED GLASS
FINISH	METALLIC GRAY
WARRANTY	5-YEAR LIMITED
OPERATING TEMP	-25° C to 50° C
LUMEN MAINTENANCE	75,000 HOURS
CERTIFICATION	ETL AND cETL FOR WET LOCATION, IP67



**OPTICS** NOT ALL AVAILABLE OPTICS SHOWN



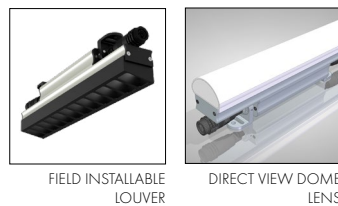
**DIMENSIONS**



**PERFORMANCE SUMMARY**

10W, 4000K, 48"	LUMENS	PEAK CANDELA
10°X10°	3688	48038
10°X30°	3410	17591
10°X60°	3389	13007
15°X15°	3936	25267
15°X30°	3596	12226
15°X60°	3584	9350
30°X30°	3381	7850

**ACCESSORIES / OPTIONS**



PROJECT:	TYPE:	CAT. #:	PEX - - - - - UNV - - -
----------	-------	---------	-------------------------

**SPECIFICATION**

PEX						UNV		MG	separate options with dashes
-----	--	--	--	--	--	-----	--	----	------------------------------

1	2	3	4	5	6	7	8	9	10
---	---	---	---	---	---	---	---	---	----

**1 FIXTURE**

PILOT EXTERIOR SERIES PEX

**2 WATTAGE**

LOW OUTPUT 4 WATTS/FT LO  
MEDIUM OUTPUT 7 WATTS/FT MO  
HIGH OUTPUT 10 WATTS/FT HO

**3 CCT**

2700K 27K  
3000K 30K  
3500K 35K  
4000K 40K  
RED R  
GREEN G  
BLUE B  
AMBER A

**4 OPTICS**

10° X 10° 1010  
10°X10° optic is intended for a 6" fixture setback from the source  
10°X30° 1030  
10°X60° 1060  
15°X15° 1515  
15°X30° 1530  
15°X60° 1560  
30°X30° 3030  
30°X60° 3060  
60°X60° 6060  
100°X100° 100100  
ASYMMETRIC ASY

**5 MOUNTING**

SURFACE CEILING SM  
EXTENDED ARM EXA-X  
X = Specify 6", 12" or 18"

**6 LENGTH**

12" 12  
48" 48

**7 VOLTAGE**

110V-277VAC UNV  
not available in 240V  
an AC Leader Cable is required with each fixture run for connection from first fixture to the j-box.

**8 CONTROLS**

0-10V DIMMING DIM  
standard  
DMX DIMMING DMXDM

**9 FINISH**

METALLIC GRAY MG

**10 OPTIONS**

HIGH CRI 90+ HCRI  
available only with 2700K and 3000K  
LOUVER LV  
louvers ship separate from the fixture and must be installed in the field  
DIRECT VIEW DOME LENS DVD

**IQ QUICKSHIP**

[see Quickship Guide >](#)

IQ/PEX/MO/40K/10°X60°/SM/12 /UNV/DIM/MG  
IQ/PEX/MO/40K/10°X60°/SM/48 /UNV/DIM/MG

The listed configurations are eligible for the Insight Quickship program.

**CONTROL & WIRING OPTIONS**

**DMX DISTRIBUTION & PROGRAMMING KIT - REQUIRED FOR DMX DIMMING**

DMX DISTRIBUTION KIT (ONLY 3 OUTPUTS) CDS-RDM  
DMX distribution kit consists of three outputs and each output accommodates up to 32 fixtures per data feed  
three terminators are included for use as required, IP67 rated  
[go to dmx guide >](#)

**EXTERIOR LEADER CABLES**











5.0 FT LEADER CABLE - BLACK LC-5-B  
10.0 FT LEADER CABLE - BLACK LC-10-B  
for line voltage only, REQUIRED for connection at the start of each run  
an AC Leader Cable is required with each fixture run for connection from first fixture to the j-box

**EXTERIOR JUMPER CABLES**

1.0 FT JUMPER CABLE JC-1-B  
2.0 FT JUMPER CABLE JC-2-B  
5.0 FT JUMPER CABLE JC-5-B  
10.0 FT JUMPER CABLE JC-10-B  
25.0 FT JUMPER CABLE JC-25-B  
Required if fixtures are not mounted in an end-to-end continuous manner and for line voltage only

PROJECT:	TYPE:	CAT. #:	PEX - - - - - UNV - - -
----------	-------	---------	-------------------------

**PERFORMANCE**

OPTIC	4 WATTS/FT (4000K, 48" FIXTURE)			7 WATTS/FT (4000K, 48" FIXTURE)			10 WATTS/FT (4000K, 48" FIXTURE)		
	DELIVERED LUMENS	LUMINARE EFFICACY	PEAK CANDELA	DELIVERED LUMENS	LUMINARE EFFICACY	PEAK CANDELA	DELIVERED LUMENS	LUMINARE EFFICACY	PEAK CANDELA
10°X 10° 	1475 lm	83.0 lm/W	19215	2582 lm	88.0 lm/W	33627	3688 lm	83.0 lm/W	48038
10°X 30° 	1364 lm	76.0 lm/W	7036	2387 lm	76.0 lm/W	12314	3410 lm	76.0 lm/W	17591
10°X 60° 	1356 lm	75.8 lm/W	5203	2372 lm	75.8 lm/W	9105	3389 lm	75.8 lm/W	13007
15°X 15° 	1574 lm	96.0 lm/W	10107	2755 lm	96.0 lm/W	17687	3936 lm	96.0 lm/W	25267
15°X 30° 	1438 lm	87.0 lm/W	4890	2517 lm	87.0 lm/W	8558	3596 lm	87.0 lm/W	12226
15°X 60° 	1434 lm	87.0 lm/W	3740	2509 lm	87.0 lm/W	6545	3584 lm	87.0 lm/W	9350
30°X 30° 	1352 lm	77.0 lm/W	3140	2367 lm	77.0 lm/W	5495	3381 lm	77.0 lm/W	7850
60°X 60° 	1356 lm	76.0 lm/W	5198	2373 lm	76.0 lm/W	9097	3390 lm	76.0 lm/W	12996
100°X 100° 	962 lm	54.0 lm/W	479	1684 lm	54.0 lm/W	838	2405 lm	82.3 lm/W	12262
ASYMMETRIC 	1363 lm	82.3 lm/W	4905	2386 lm	82.3 lm/W	8583	3408 lm	76.0 lm/W	12996

PROJECT:	TYPE:	CAT. #:	PEX -	-	-	-	-	-	-	UNV -	-	-
----------	-------	---------	-------	---	---	---	---	---	---	-------	---	---

**FIXTURES PER CIRCUIT**

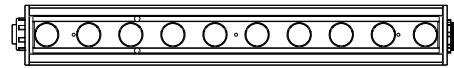
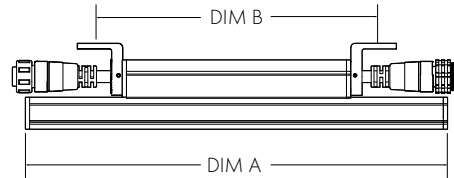
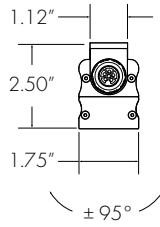
LENGTH	4 WATTS		7 WATTS		10 WATTS	
	120V	277V	120V	277V	120V	277V
12"	445	1028	222	514	160	380
48"	111	257	55	128	38	94

PROJECT:	TYPE:	CAT. #:	PEX - - - - - UNV - - -
----------	-------	---------	-------------------------

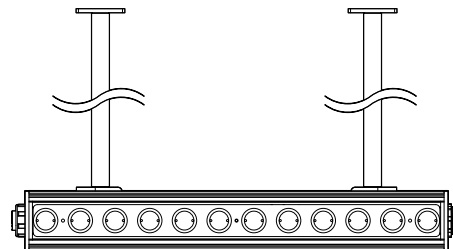
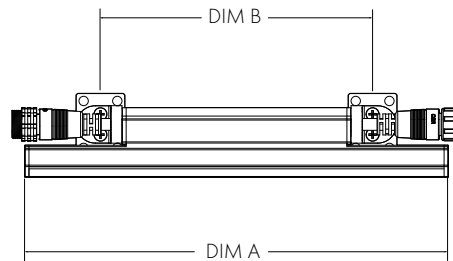
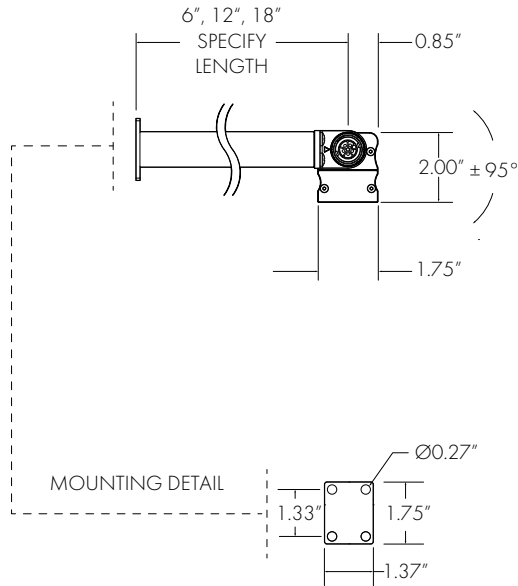
**DIMENSIONS**

DIMENSION	12"	48"
DIM A	12.00"	48.00"
DIM B	8.43"	32.62"

**SM - SURFACE MOUNT**

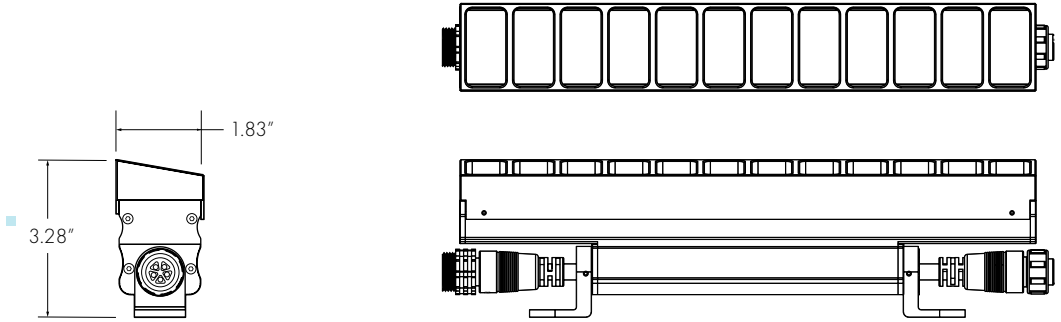


**EXA - EXTENDED ARM MOUNT**



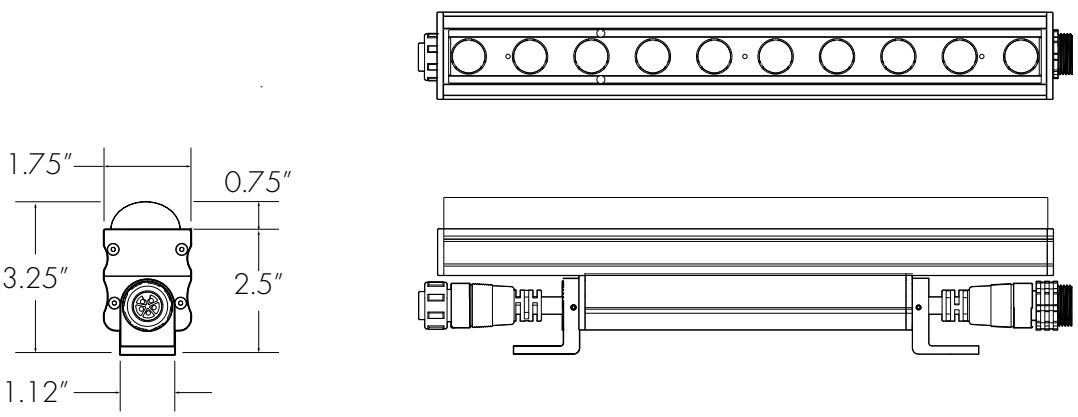
PROJECT:	TYPE:	CAT. #:	PEX - - - - - UNV - - -
----------	-------	---------	-------------------------

**LOUVER - LV**



**LOUVER SHIPS SEPARATE FROM THE FIXTURE AND MUST BE INSTALLED IN THE FIELD**

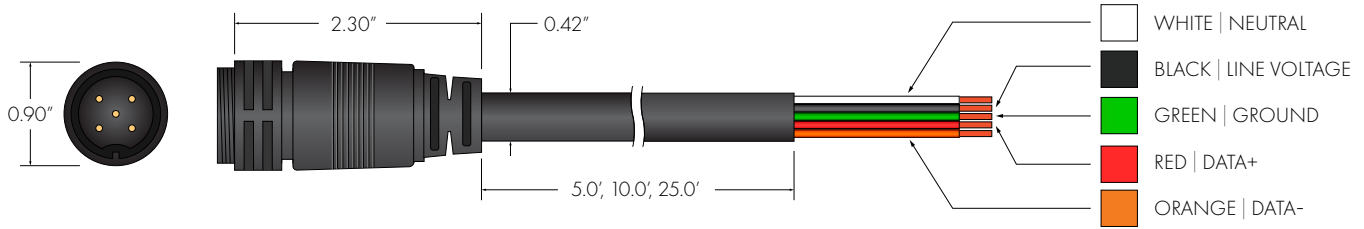
**DIRECT VIEW DOME LENS - DVD**



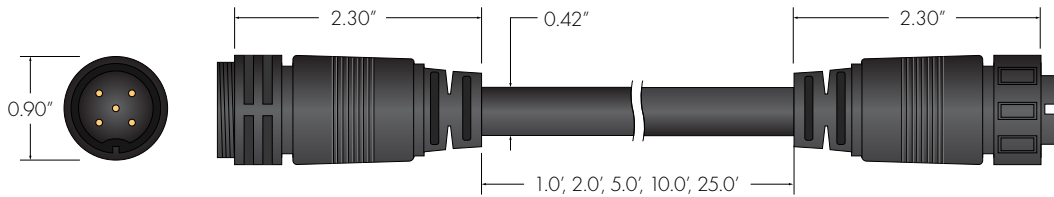
PROJECT:	TYPE:	CAT. #:	PEX - - - - - UNV - - -
----------	-------	---------	-------------------------

**CABLES**

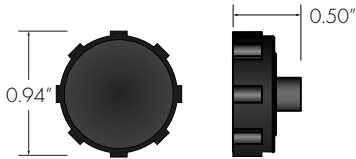
**AC LEADER (ACLM)** WHITE/BLACK | 5x16AWG | 105°C | 300V | IP67



**AC JUMPER (ACJM)** WHITE/BLACK | 5x16AWG | 105°C | 300V | IP67



**AC CAP (EL11447)** WHITE/BLACK | 105°C | 300V | IP67



**AC TERMINATOR (EL11586)** WH/BL | 105°C | 300V

