

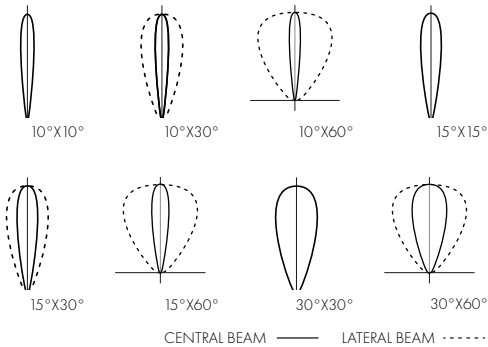
PROJECT:	TYPE:	CAT. #:	PGM - 12 - - - SM - - UNV - - MG -
----------	-------	---------	------------------------------------

**PROFILE**

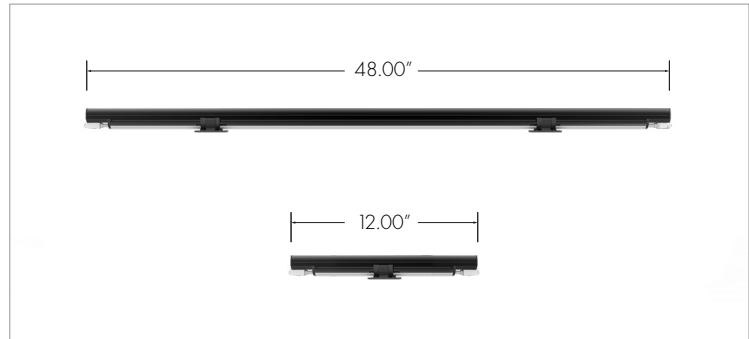
LIGHT SOURCE	12 W/FT
CCT	RGBWd, AWH
PERFORMANCE	UP TO 45 lm/W
VOLTAGE	UNIVERSAL 120-277VAC (NOT AVAILABLE IN 240V)
POWER	INTEGRATED POWER SUPPLY
CONTROL	DMX/ RDM
DIMENSIONS	2.10" x 1.41" x 12" - 2.10" x 1.41" x 48"
WEIGHT	1.6 LBS (0.72 KG) - 6.0 LBS (2.72 KG)
HOUSING	EXTRUDED ALUMINUM HOUSING, MOLDED END CAPS
EPA	0.483 FT <sup>2</sup>
LENS	POLYCARBONATE LENS
FINISH	METALLIC GRAY
WARRANTY	5-YEAR LIMITED
OPERATING TEMP	-25° C TO 40° C
LUMEN MAINTENANCE	75,000 HOURS
CERTIFICATION	ETL, cETL DAMP/DRY LOCATIONS



**OPTICS** NOT ALL AVAILABLE OPTICS SHOWN



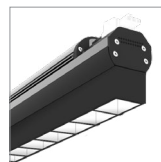
**DIMENSIONS**



**PERFORMANCE SUMMARY**

RWBWd, 12W/FT	LUMENS	PEAK CANDELA
10°X10°	563	8617

**ACCESSORIES / OPTIONS**



FIELD INSTALLABLE LOUVER

PROJECT:	TYPE:	CAT. #:	PGM - 12 -	-	- SM -	- UNV -	- MG -
----------	-------	---------	------------	---	--------	---------	--------

## SPECIFICATION



<b>1</b> <b>FIXTURE</b>	<b>4</b> <b>OPTICS</b>	<b>6</b> <b>FIXTURE LENGTH</b>	<b>9</b> <b>FINISH</b>
PILOT PGM PGM	10°X10° 1010 <small>10°X10° optic is intended for a 6" fixture setback from the source</small>	12" 12 48" 48	METALLIC GRAY MG <small>finish is subject to change without notice.</small>
<b>2</b> <b>WATTAGE</b>	10°X30° 1030 10°X60° 1060 15°X15° 1515 15°X30° 1530 15°X60° 1560 30°X30° 3030 30°X60° 3060 60°X60° 6060 ASYMMETRIC ASY	<b>7</b> <b>VOLTAGE</b>	<b>10</b> <b>OPTIONS</b>
12 WATTS 12		120-277VAC UNV <small>not available in 240V</small> an AC Leader Cable is required with each fixture run for connection from first fixture to the j-box.	LOUVER LV <small>black finish is standard louver ships separate from the fixture and must be installed in the field</small>
<b>3</b> <b>CCT</b>	<b>5</b> <b>MOUNTING</b>	<b>8</b> <b>CONTROL OPTIONS</b>	
RED, GREEN, BLUE, 40K RGBWd ACTIVE WHITE AWH <small>Kelvin tunable 2200K-4000K</small>	SURFACE SM	DMX FT BY FT RESOLUTION DMXFT <small>not available with Active White</small> DMX FIXTURE RESOLUTION DMXFX DMX SYSTEM RESOLUTION DMXSY DMX controls are required and must be ordered separately. Requires a DMX Distribution Kit. See below. Default factory programming setting is System Resolution. All fixtures are shipped from the factory with default channels 1-4. Fixtures are not pre-addressed or labeled at the factory. Addressing and labeling must be done in the field.	

## CONTROL & WIRING ORDER OPTIONS

<b>DMX DISTRIBUTION KIT - REQUIRED</b>	
DMX/RDM DISTRIBUTION KIT (4 OUTPUTS) - IP67 <small>DMX/RDM DISTRIBUTION KIT consists four outputs. Each output is limited to (1) run per output, up to 32 fixtures max. Four terminators are included for end of line termination.</small>	CDS-RDM

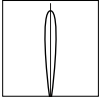
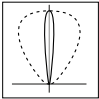
<b>LEADER CABLES</b>	
10' BLACK LEADER CABLE <small>used for connection to the start of each run. end of line terminator provided with each leader cable.</small>	PCML-10/0-10V
<small>a leader cable is required with each fixture run for connection from j-box to the first fixture.</small>	

<b>JUMPER CABLES</b>	
1' BLACK JUMPER CABLE <small>for 0-10V runs</small>	PCMJ-1/0-10V
5' BLACK JUMPER CABLE <small>for 0-10V runs</small>	PCMJ-5/0-10V
<small>plug and play installation allows for end-to-end fixture connection without additional AC jumpers. if fixtures are not mounted in an end-to-end continuous manner, AC jumpers are required.</small>	

PROJECT:	TYPE:	CAT. #:	PGM - 12 -	-	- SM -	- UNV -	- MG -
----------	-------	---------	------------	---	--------	---------	--------

**PERFORMANCE**

**RGBWd 12 WATTS**

OPTIC	DELIVERED LUMENS	LUMINARE EFFICACY	PEAK CANDELA
10°X10° 	563 lm	47 lm/W	8617
10°X60° 	518 lm	43 lm/W	1669

**FIXTURES PER CIRCUIT**

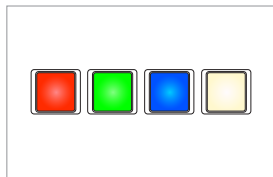
**12 WATTS/FT**

FIXTURE LENGTH	120V	277V
12"	49 FIXTURES	90 FIXTURES
48"	19 FIXTURES	38 FIXTURES

**LED ARRAY OPTIONS**

**DISCRETE CHIP (RGBWd, AWH)**

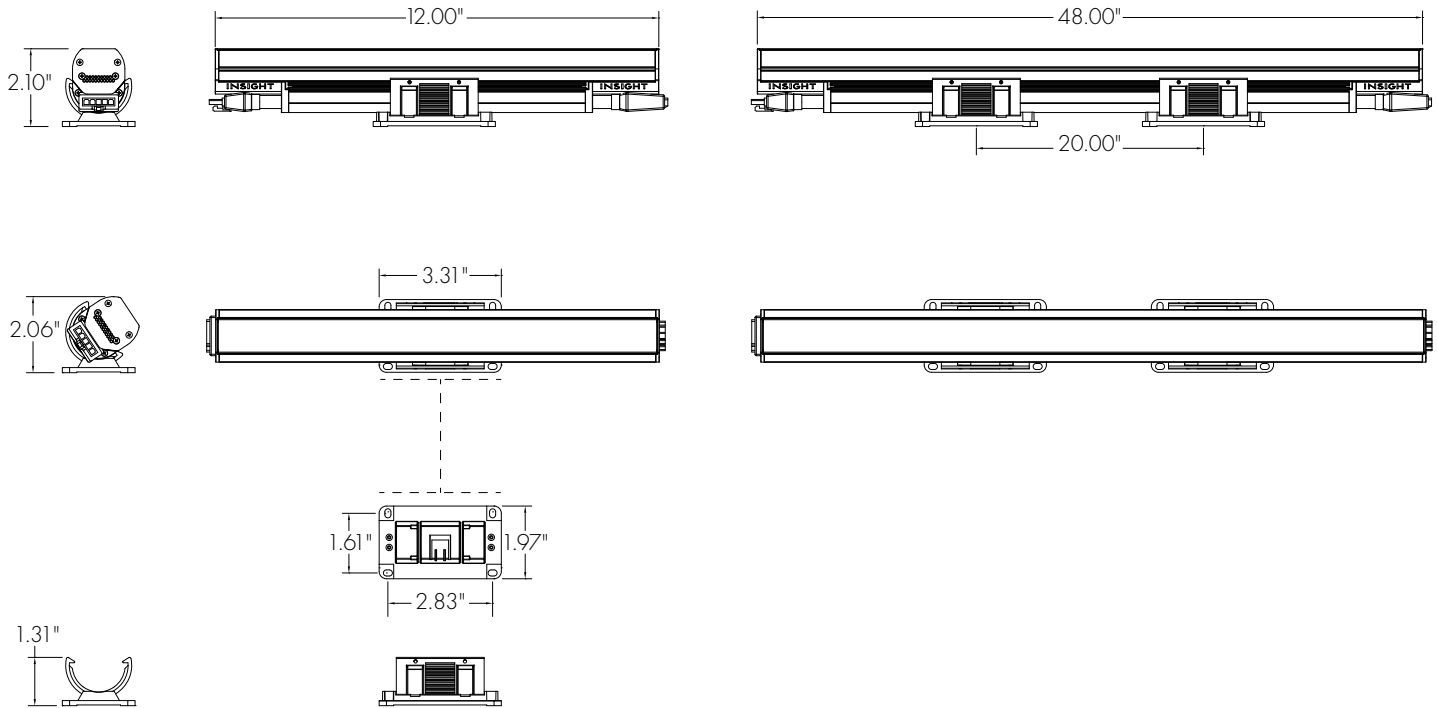
The discrete LED array utilizes individual secondary optics per led color (ie; red, green, blue, white). This array increases optical performance from 4° to 60° allowing for superior beam control and increased efficiency. The increased optical control allows for maximum peak candela, allowing longer throws.



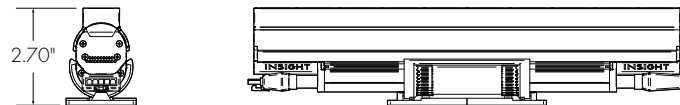
PROJECT:	TYPE:	CAT. #:	PGM - 12 - - - SM - - UNV - - MG -
----------	-------	---------	------------------------------------

**DIMENSIONS**

**SURFACE (SM)**



**LOUVER (LV)**

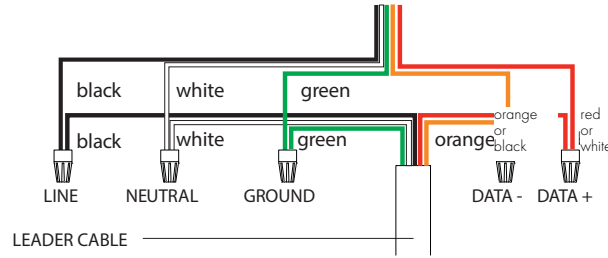


**LOUVER SHIPS SEPARATE FROM THE FIXTURE AND MUST BE INSTALLED IN THE FIELD**

PROJECT:	TYPE:	CAT. #:	PGM - 12 - - - SM - - UNV - - MG -
----------	-------	---------	------------------------------------

**WIRING**

NON DIMMING / 0-10V DIMMING



**⚠ WARNING**

DISCONNECT POWER BEFORE INSTALLING OR SERVICING TO AVOID ELECTRICAL SHOCK.

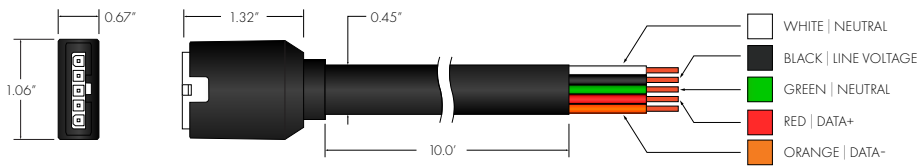
**⚠ WARNING**

POWER CABLE SHOULD NOT SUPPORT WEIGHT OF FIXTURE: LEAVE LOOSE

**CABLES**

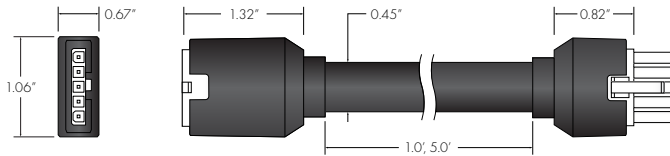
**PCM/PGM LEADER (PCML)**

BLACK | 2x16AWG | 105°C | 300V



**PCM/PGM JUMPER (PCMJ)**

BLACK | 5x16AWG | 105°C | 300V



**PCM/PGM TERMINATOR (PCMT)**

BLACK | 105°C | 300V

