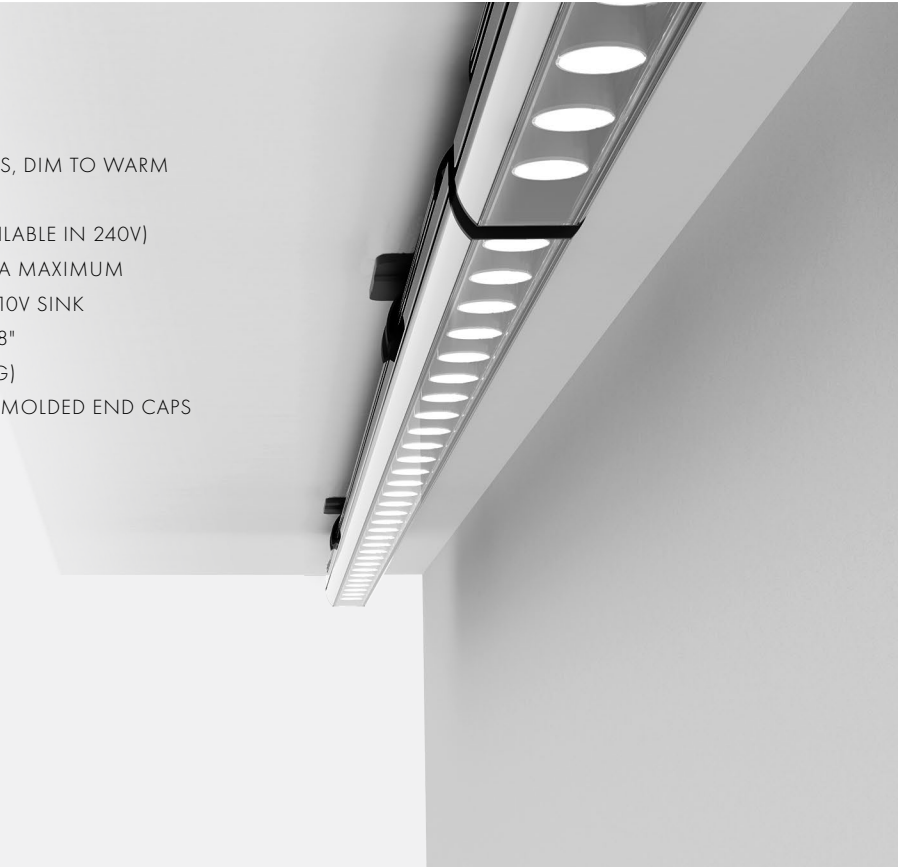


PROJECT: _____ TYPE: _____ CAT. #: PGM - - - - SM - - UNV - DIM - MG -

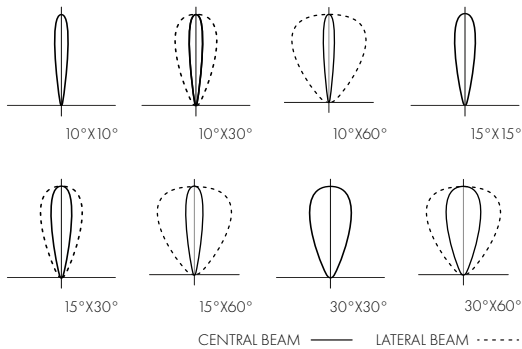
PROFILE

| | |
|-------------------|--|
| LIGHT SOURCE | 4 W/FT, 7 W/FT, 10 W/FT |
| CCT | 27K, 30K, 35K, 40K, STATIC COLORS, DIM TO WARM |
| PERFORMANCE | UP TO 82 lm/W |
| VOLTAGE | UNIVERSAL 120-277VAC (NOT AVAILABLE IN 240V) |
| POWER | INTEGRATED POWER SUPPLY, 2.0 mA MAXIMUM |
| CONTROL | FLICKER FREE DIMMABLE TO 3%, 0-10V SINK |
| DIMENSIONS | 2.10" x 1.41" x 12" - 2.10" x 1.41" x 48" |
| WEIGHT | 1.6 LBS (0.72 KG) - 6.0 LBS (2.72 KG) |
| HOUSING | EXTRUDED ALUMINUM HOUSING, MOLDED END CAPS |
| EPA | 0.483 FT ² |
| LENS | POLYCARBONATE LENS |
| FINISH | METALLIC GRAY |
| WARRANTY | 5-YEAR LIMITED |
| OPERATING TEMP | -25° C TO 40° C |
| LUMEN MAINTENANCE | 75,000 HOURS |
| CERTIFICATION | ETL, cETL DAMP/DRY LOCATIONS |

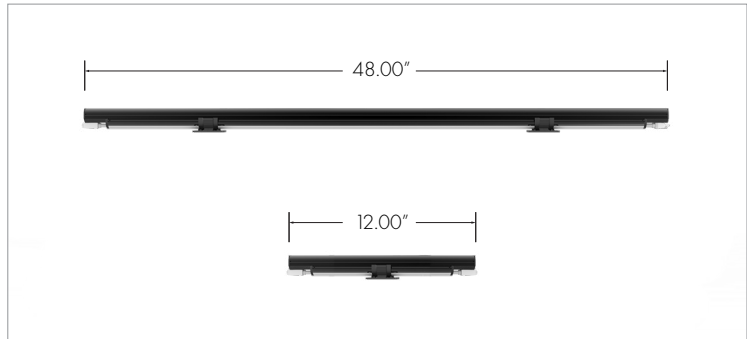


OPTICS

NOT ALL AVAILABLE OPTICS SHOWN



DIMENSIONS



PERFORMANCE SUMMARY

| 4000K, 10W/FT | LUMENS | EFFICACY |
|---------------|--------|----------|
| 10°X10° | 695 | 63 lm/W |
| 10°X30° | 647 | 68 lm/W |
| 15°X15° | 690 | 68 lm/W |
| 15°X30° | 630 | 62 lm/W |
| 15°X60° | 638 | 62 lm/W |

ACCESSORIES / OPTIONS



| | | | | | | | | | | | | | | |
|----------|-------|---------|-----|---|---|---|----|---|-----|---|-----|---|----|---|
| PROJECT: | TYPE: | CAT. #: | PGM | - | - | - | SM | - | UNV | - | DIM | - | MG | - |
|----------|-------|---------|-----|---|---|---|----|---|-----|---|-----|---|----|---|

SPECIFICATION

| | | | | | | | | | | |
|-----|--|--|--|----|--|--|-----|-----|----|------------------------------|
| PGM | | | | SM | | | UNV | DIM | MG | separate options with dashes |
|-----|--|--|--|----|--|--|-----|-----|----|------------------------------|

| 1 | 2 | 3 | 4 | 5 | 6 | 7 | 8 | 9 | 10 |
|--|-----|---|---|-------------------|---|---|---|--|----|
| 1 FIXTURE | | | 4 OPTICS | | 6 FIXTURE LENGTH | | 7 VOLTAGE | 9 FINISH | |
| PILOT PGM | PGM | | 10°X10° 1010 <small>10°X10° optic is intended for a 6" fixture setback from the source</small> | | 12" 12 48" 48 | | 120-277VAC UNV <small>not available in 240V an AC Leader Cable is required with each fixture run for connection from first fixture to the j-box.</small> | METALLIC GRAY MG <small>finish is subject to change without notice.</small> | |
| 2 WATTAGE | | | 10°X30° 1030 | | 8 CONTROL | | | 10 OPTIONS | |
| LOW OUTPUT LO 4 WATTS/FT | | | 10°X60° 1060 | | 0-10V DIMMING DIM | | | HIGH CRI, 90+ HCRI <small>available with 27K & 30K only</small> | |
| MEDIUM OUTPUT MO 7 WATTS/FT | | | 15°X15° 1515 | | DMX DIMMING DMX <small>DMX Dimming is not available with DIM TO WARM DMX Dimming requires a CDS-RDM DMX/RDM distribution kit. See below.</small> | | | LOUVER LV <small>black finish is standard louver ships separate from the fixture and must be installed in the field</small> | |
| HIGH OUTPUT HO 10 WATTS/FT | | | 15°X30° 1530 | | <small>dimming control system supplied by others. contact factory for TRIAC Dimming.</small> | | | | |
| 3 CCT | | | 15°X60° 1560 | 5 MOUNTING | | | | | |
| 2700K 27K | | | 30°X30° 3030 | SURFACE SM | | | | | |
| 3000K 30K | | | 30°X60° 3060 | | | | | | |
| 3500K 35K | | | 60°X60° 6060 | | | | | | |
| 4000K 40K | | | ASYMMETRIC ASY | | | | | | |
| RED R | | | | | | | | | |
| GREEN G | | | | | | | | | |
| BLUE B | | | | | | | | | |
| AMBER A | | | | | | | | | |
| DIM TO WARM ZIA <small>requires 0-10V dimming</small> | | | | | | | | | |

IQ QUICKSHIP [see Quickship Guide >](#)

IQ/PGM/MO/35K/10°X60°/SM/12/UNV/DIM/MG
IQ/PGM/MO/35K/10°X60°/SM/48/UNV/DIM/MG

The listed configurations are eligible for the Insight Quickship program.

CONTROL & WIRING ORDER OPTIONS


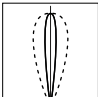
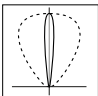
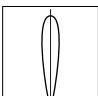
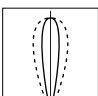
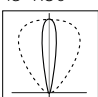
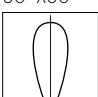
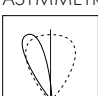
DMX DISTRIBUTION KIT - REQUIRED FOR DMX DIMMING
DMX/RDM DISTRIBUTION KIT (4 OUTPUTS) - IP67 CDS-RDM
DMX/RDM DISTRIBUTION KIT consists four outputs. Each output is limited to (1) run per output, up to 32 fixtures max. Four terminators are included for end of line termination.

LEADER CABLES
10' BLACK LEADER CABLE PCML-10/0-10V
used for connection to the start of each run.
end of line terminator provided with each leader cable.
a leader cable is required with each fixture run for connection from j-box to the first fixture.

JUMPER CABLES
1' BLACK JUMPER CABLE PCMJ-1/0-10V
for 0-10V runs
5' BLACK JUMPER CABLE PCMJ-5/0-10V
for 0-10V runs
plug and play installation allows for end-to-end fixture connection without additional AC jumpers.
if fixtures are not mounted in an end-to-end continuous manner, AC jumpers are required.

| | | | | | | | | | | | | | | |
|----------|-------|---------|-----|---|---|---|----|---|-----|---|-----|---|----|---|
| PROJECT: | TYPE: | CAT. #: | PGM | - | - | - | SM | - | UNV | - | DIM | - | MG | - |
|----------|-------|---------|-----|---|---|---|----|---|-----|---|-----|---|----|---|

PERFORMANCE

| OPTIC | 4 WATTS/FT | | | 7 WATTS/FT | | | 10 WATTS/FT - 48" FIXTURE | | |
|---|------------------|-------------------|--------------|------------------|-------------------|--------------|---------------------------|-------------------|--------------|
| | DELIVERED LUMENS | LUMINARE EFFICACY | PEAK CANDELA | DELIVERED LUMENS | LUMINARE EFFICACY | PEAK CANDELA | DELIVERED LUMENS | LUMINARE EFFICACY | PEAK CANDELA |
| 10°X10°  | 1006 lm | 63 lm/W | 10032 | 1890 lm | 68 lm/W | 18989 | 3049 lm | 75 lm/W | 35829 |
| 10°X30°  | 949 | 53 lm/W | 3789 | 1784 | 64 lm/W | 7171 | 2877 lm | 71 lm/W | 13531 |
| 10°X60°  | 949 | 59 lm/W | 2587 | 1783 | 64 lm/W | 4898 | 2876 lm | 71 lm/W | 9241 |
| 15°X15°  | 1006 | 63 lm/W | 5789 | 1890 | 68 lm/W | 10957 | 3049 lm | 75 lm/W | 20674 |
| 15°X30°  | 951 | 59 lm/W | 2654 | 1787 | 63 lm/W | 5024 | 2883 lm | 71 lm/W | 9480 |
| 15°X60°  | 942 | 59 lm/W | 1922 | 1769 | 63 lm/W | 3638 | 2854 lm | 70 lm/W | 6865 |
| 30°X30°  | 1180 | 73 lm/W | 1460 | 2217 | 79 lm/W | 2762 | 3576 lm | 94 lm/W | 5215 |
| ASYMMETRIC  | 268 | 17 lm/W | 346 | 503 | - | 654 | 811 lm | 82.0 lm/W | 1234 |

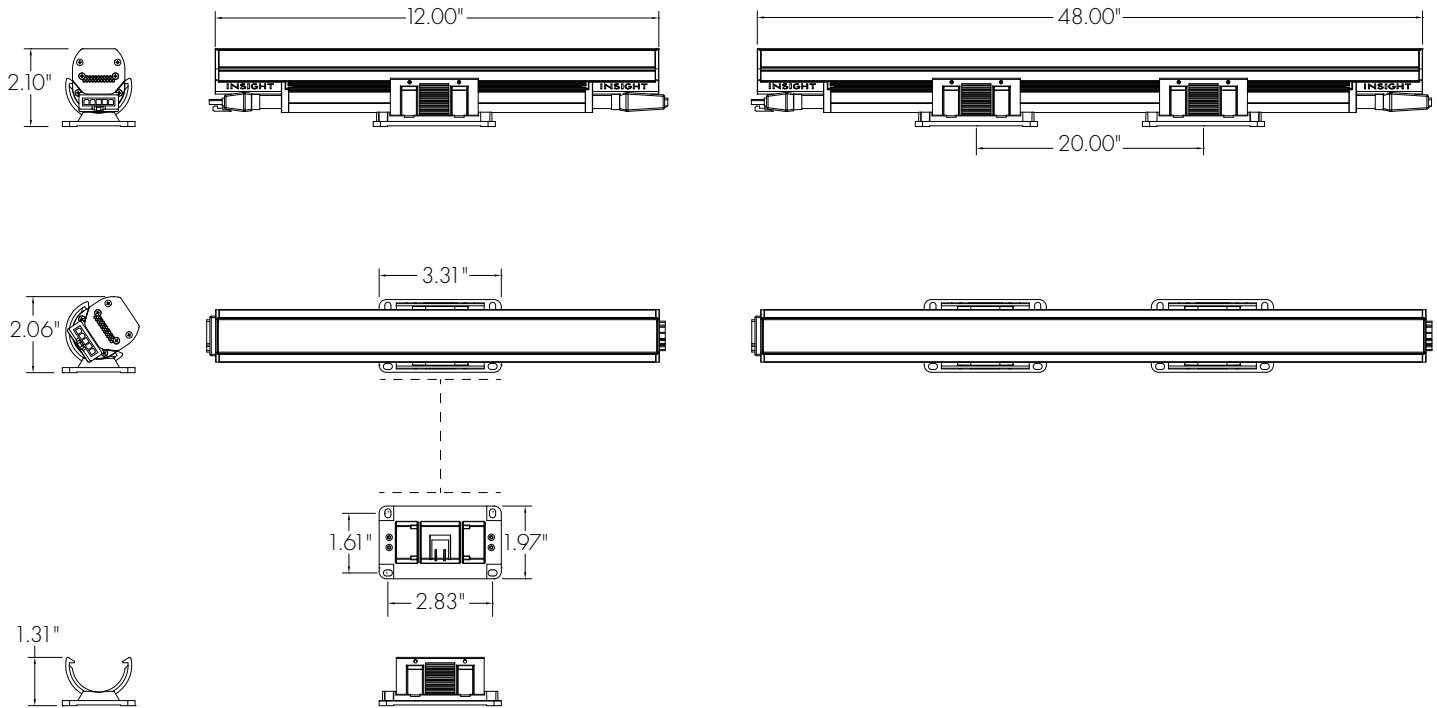
FIXTURES PER CIRCUIT

| PGM | 4 WATTS/FT | | 7 WATTS/FT | | 10 WATTS/FT | |
|-----|------------|--------|------------|--------|-------------|--------|
| | 120V | 277V | 120V | 277V | 120V | 277V |
| | 100 FT | 200 FT | 100 FT | 200 FT | 70 FT | 125 FT |

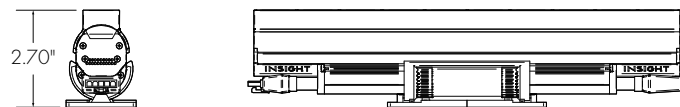
| | | | | | | | | | |
|----------|-------|---------|-------|---|---|--------|---------|-------|------|
| PROJECT: | TYPE: | CAT. #: | PGM - | - | - | - SM - | - UNV - | DIM - | MG - |
|----------|-------|---------|-------|---|---|--------|---------|-------|------|

DIMENSIONS

SURFACE (SM)



LOUVER (LV)

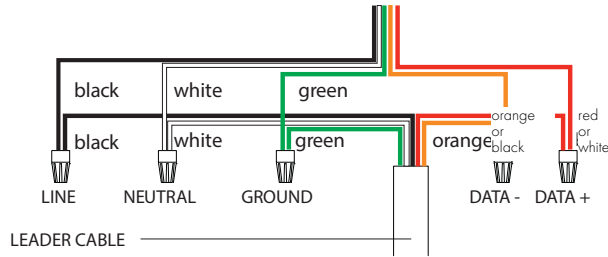


LOUVER SHIPS SEPARATE FROM THE FIXTURE AND MUST BE INSTALLED IN THE FIELD

PROJECT: _____ TYPE: _____ CAT. #: PGM - - - - SM - - UNV - DIM - MG -

WIRING

NON DIMMING / 0-10V DIMMING



! WARNING

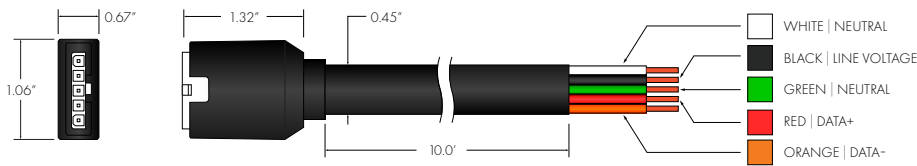
DISCONNECT POWER BEFORE INSTALLING OR SERVICING TO AVOID ELECTRICAL SHOCK.

! WARNING

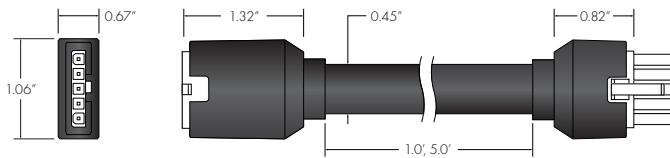
POWER CABLE SHOULD NOT SUPPORT WEIGHT OF FIXTURE: LEAVE LOOSE

CABLES

PCM/PGM LEADER (PCML) BLACK | 2x16AWG | 105°C | 300V



PCM/PGM JUMPER (PCMJ) BLACK | 5x16AWG | 105°C | 300V



PCM/PGM TERMINATOR (PCMT) BLACK | 105°C | 300V

