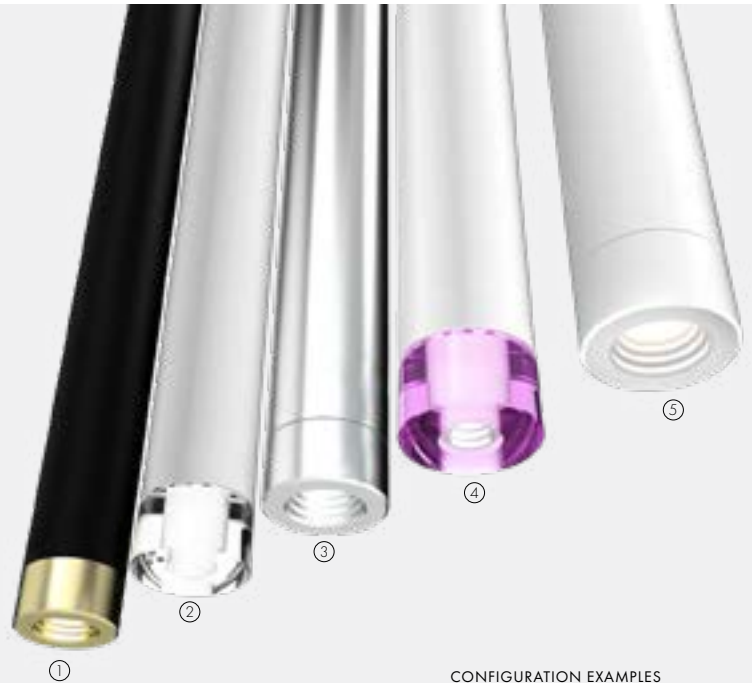


PROJECT: _____ TYPE: _____ CAT. #: SCO - - - - -

PROFILE

LIGHT SOURCE	HIGH PERFORMANCE CC/CV LED'S
OUTPUT	4.0 W LED SPOT, OPTIONAL 1.0 W AMBIENT
DISTRIBUTION	DIRECT WITH OPTIONAL AMBIENT
CCT	2700K - 4000K, RGB AMBIENT
CRI	82 CRI
VOLTAGE	UNIVERSAL 120-277V
POWER	REMOTE POWER SUPPLY
CONTROL	0-10V, DMX FIXTURE, DMX SYSTEM LUTRON HI-LUME PREMIER 0.1% ECOSYSTEM W/SOFT ON, FADE TO BLACK
SIZES	12", 24", 36" (NOMINAL)
HOUSING	MACHINED ALUMINUM
MOUNTING	SUSPENSION, SURFACE
GEM	ALUMINUM, BRASS, OR GLASS
FINISH	SILVER ANODIZED, WHITE OR BLACK, CC
WARRANTY	5-YEAR LIMITED
CERTIFICATION	ETL AND cETL FOR DRY LOCATION

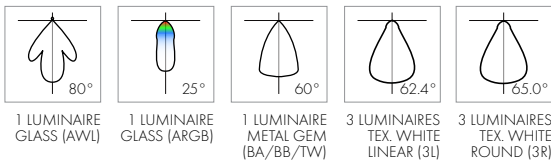


CONFIGURATION EXAMPLES

- ① TEXTURED BLACK HOUSING / 4000K SPOT / BRUSHED BRASS GEM (BB)
- ② TEXTURED WHITE HOUSING / 4000K SPOT / AMBIENT WHITE LIGHT (AWL)
- ③ SILVER ANODIZED HOUSING / 4000K SPOT / SILVER ANODIZED GEM (BA)
- ④ TEXTURED WHITE HOUSING / 4000K SPOT / AMBIENT RGB LIGHT (ARGB)
- ⑤ TEXTURED WHITE HOUSING / 4000K SPOT



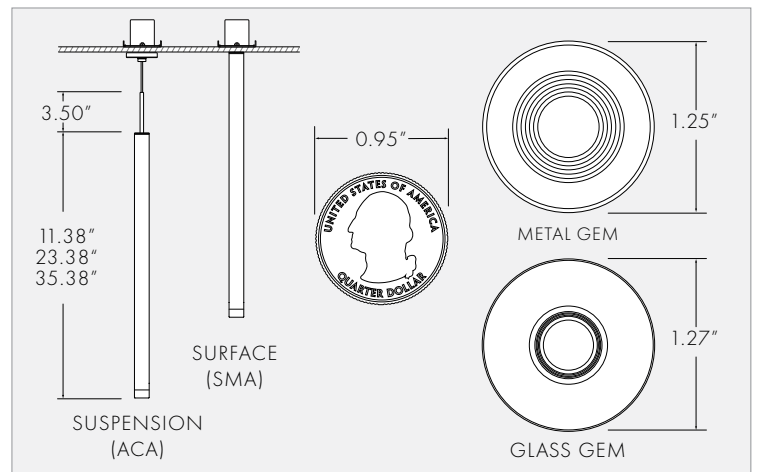
DISTRIBUTION



GEMS



PROFILE



FINISHES



PROJECT: _____ TYPE: _____ CAT. #: SCO - - - - -

SPECIFICATION

SCO									separate options with dashes
1	2	3	4	5	6	7	8	9	

1 FIXTURE

SCOPE SCO

2 CCT

2700K 27K
3000K 30K
3500K 35K
4000K 40K

3 ARRANGEMENT

SINGLE LUMINAIRE 1
THREE LUMINAIRES LINEAR 3L
not available with Surface Mount Arch. (SMA)
THREE LUMINAIRES ROUND 3R
not available with Surface Mount Arch. (SMA)

4 MOUNTING

SUSPENSION ARCH. ACA-X
X = cable length specify up to 72.00"
SURFACE MOUNT ARCH. SMA
not available with three luminaire arrangements
not available with JBOX Mounting Kit (JBK)

5 SIZE

11.38" 12
23.38" 24
35.38" 36

6 CONTROL

0-10V DIMMING DIM
DMX DIMMING DMXDIM
not available with ARGB option
DMX SYSTEM DMXSY
DMX FIXTURE DMXFX
LUTRON PEQ
Hi-lume Premier 0.1% EcoSystem
w/Soft On, Fade to Black
not available with ARGB option
dimming control system to be supplied by others

7 LUMINAIRE FINISH

SILVER ANODIZED AL
brushed and silver anodized housing components
TEXTURED WHITE TW
TEXTURED BLACK TBL
TEXTURED GREY TG
CUSTOM COLOR CC
selected finish is used for all parts of the fixture
unless an alternative gem option is selected
contact factory for custom color additional charges
will apply

8 CANOPY FINISH

TEXTURED WHITE TW
TEXTURED BLACK TBL
CUSTOM COLOR CC
contact factory for custom color additional charges
will apply

9 OPTIONS

AMBIENT WHITE LIGHT AVL
a polished crystal gem that has a soft ambient glow
ambient glow is same CCT as previously selected
AMBIENT RGB LIGHT ARGB
a polished crystal gem that has a soft ambient glow
ambient RGB requires a DMX control option
DMX controls are required see below
SILVER ANODIZED GEM BA
machined aluminum with brushed and silver
anodized finish
not available with ambient glow
BRUSHED BRASS GEM BB
machined brass with brushed finish
brass is a natural metal and will patina over time
not available with ambient glow
JBOX MOUNTING KIT JBK
cover plate to allow mounting to a junction box
for single fixtures only
not available with Surface Mount Arch. (SMA)

DMX TOOLS

[see DMX Guide >](#)

DMX DISTRIBUTION & PROGRAMMING KIT (REQUIRED)

DMX DISTRIBUTION KIT ONLY (4 OUTPUTS) CDS-RDM
DMX/RDM DISTRIBUTION KIT consists three outputs. Each output is limited to (1) run per output, up to 32
fixtures max. Three terminators are included for end of line termination.

CONTROLLERS

PHAROS CONTROL SYSTEM LPC
The Pharos Controls system is a modular, DMX setup that can be networked for ease of access. All components
can be powered via POE using a Pharos supplied POE switch. The LPC comes in a variety of universe sizes to fit
any project. Pharos also provides optional remote devices to control the system from various access points. If the
LPC is networked the controller can be accessed from anywhere in the world.

LIGHTDIAL DMX CONTROL PAD LD

The feature rich lighting controller has been designed to provide a control solution for the most demanding
of projects, while still maintaining an easy to use panel of touch sensitive buttons. The controller integrates a
graphical color screen allowing scene photos to be displayed. Easily view the selected zone, scene name and
design without the need to navigate through complex menus. Change the speed, color and dimmer using the
circular palette. The lighting levels, color and effects can be programmed from a PC, Mac, Android, iPad or
iPhone using the included software.

PROJECT:	TYPE:	CAT. #:	SCO - - - - -
----------	-------	---------	---------------

PERFORMANCE

TEST DATA USING 3000K WHITE LIGHT SOURCES

GEM TYPE	SINGLE LUMINAIRE				THREE LUMINAIRES LINEAR				THREE LUMINAIRES ROUND			
	TOTAL WATTAGE	DELIVERED LUMENS	LUMINAIRE EFFICACY	PEAK CANDELA	TOTAL WATTAGE	DELIVERED LUMENS	LUMINAIRE EFFICACY	PEAK CANDELA	TOTAL WATTAGE	DELIVERED LUMENS	LUMINAIRE EFFICACY	PEAK CANDELA
GLASS (AWL)	4.1 W	270 LM	66 LM/W	201	9.8 W	663 LM	68 LM/W	477	9.8 W	661 LM	68 LM/W	457
GLASS (ARGB)	5.4 W	76 LM	14 LM/W	130	16.3 W	454 LM	28 LM/W	520	16.3 W	455 LM	28 LM/W	515
BRUSHED BRASS (BB)	4.1 W	203 LM	50 LM/W	176	9.8 W	511 LM	52 LM/W	409	9.8 W	503 LM	52 LM/W	408
SILVER ANODIZED (BA)	4.1 W	226 LM	45 LM/W	172	9.8 W	582 LM	60 LM/W	429	9.8 W	583 LM	60 LM/W	426
TEXTURED WHITE	4.1 W	207 LM	51 LM/W	179	9.8 W	517 LM	53 LM/W	428	9.8 W	569 LM	59 LM/W	435
TEXTURED BLACK	4.1 W	134 LM	32 LM/W	162	9.8 W	351 LM	36 LM/W	390	9.8 W	358 LM	37 LM/W	389

FIXTURES PER 15A CIRCUIT (AT FULL LOAD)

FIXTURE	WHITE LIGHT		ARGB	
	120V	277V	120V	277V
ONE	352	800	266	631
THREE	117	266	88	210

POWER SUPPLIES PER 15A CIRCUIT (AT FULL LOAD)

	CONTRA 0.5 (96.0 W)		LUTRON (40.0 W)	
	120V	277V	120V	277V
	15	30	15	30

ARGB REMOTE DISTANCE LIMITS (INCLUDES SUSPENSION CABLE)

WIRE GAUGE	MAX DISTANCE	NOTE: NON-COMPLIANCE WITH RECOMMENDED REMOTE WIRING DISTANCES MAY VOID WARRANTY
22 AWG	10.0 FT	
20 AWG	15.0 FT	
18 AWG	25.0 FT	
16 AWG	40.0 FT	
14 AWG	60.0 FT	
12 AWG	100.0 FT	

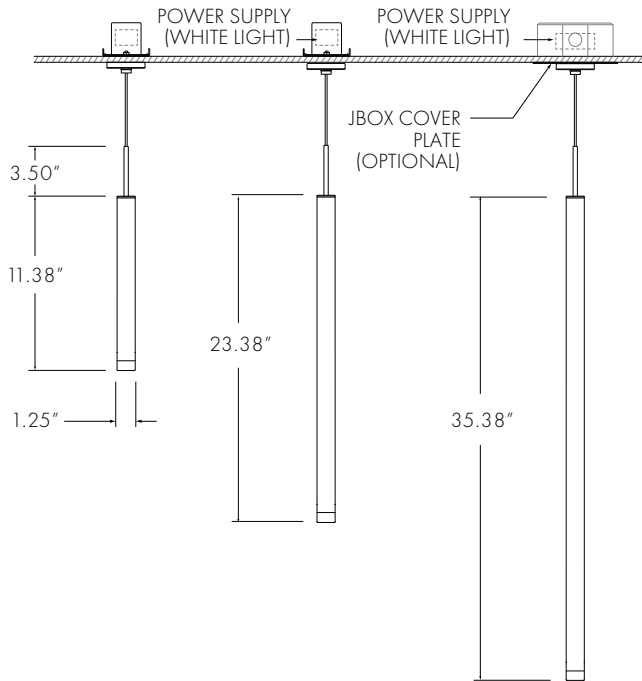
WHITE LIGHT REMOTE DISTANCE LIMITS (INCLUDES SUSPENSION CABLE)

WIRE GAUGE	MAX DISTANCE	NOTE: NON-COMPLIANCE WITH RECOMMENDED REMOTE WIRING DISTANCES MAY VOID WARRANTY
18 AWG	8.0 FT	

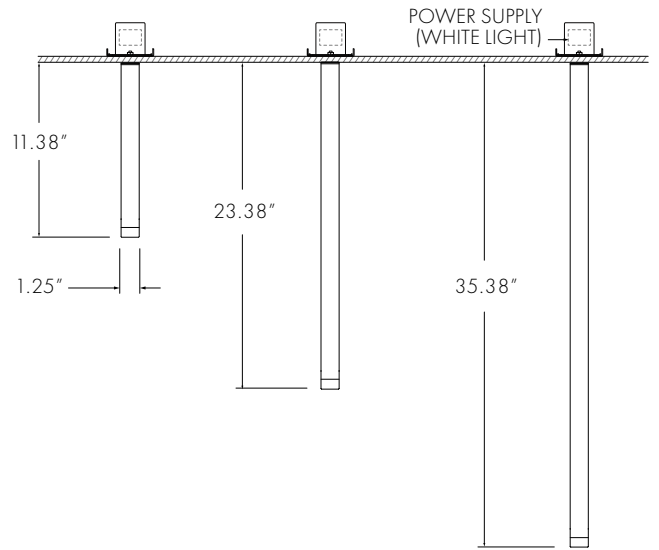
PROJECT: _____ TYPE: _____ CAT. #: SCO - - - - -

DIMENSIONS

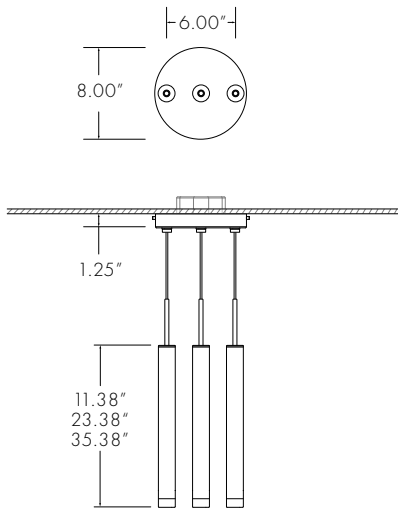
SUSPENSION ARCHITECTURAL (ACA)



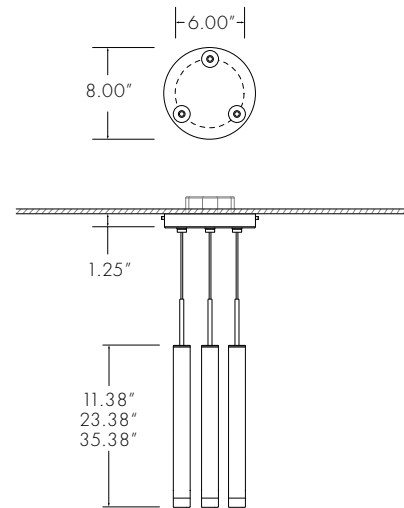
SURFACE MOUNT ARCHITECTURAL (SMA)



THREE LINEAR (3L)

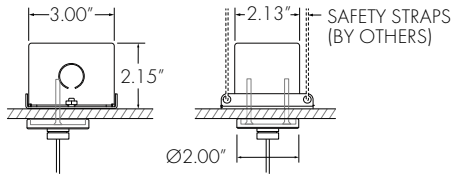


THREE ROUND (3R)



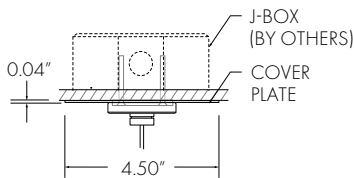
PROJECT:	TYPE:	CAT. #:	SCO - - - - -
----------	-------	---------	---------------

ACA - SUSPENSION ARCHITECTURAL MOUNTING



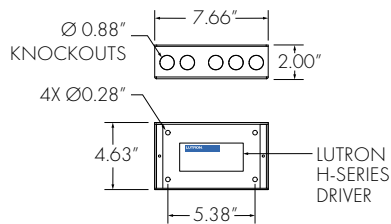
2.00" canopy and plenum rated micro-enclosure. Complete with three 0.88" knock-outs and 0.25" holes for optional suspension cables. For use with surface medium up to 1.13" in thickness. Ceiling canopy finish is SG White unless otherwise specified.

JBK - JBOX MOUNTING KIT (OPTIONAL)



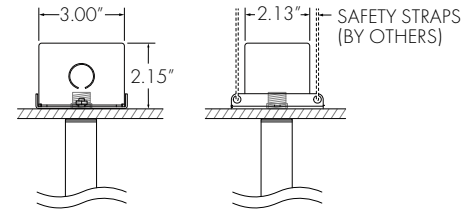
4.50" cover plate provided with standard 2.00" canopy to allow mounting to 4.00" junction boxes at power feed location. Junction box provided by others. Ceiling canopy finish is SG White unless otherwise specified.

LUTRON (PEQ) - REMOTE POWER SUPPLY



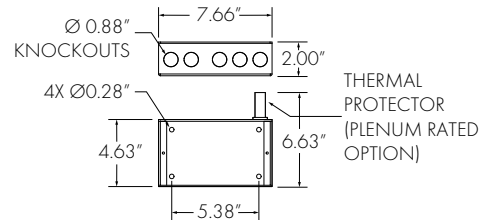
Remote power supply enclosure. 20.0 W Hi-lume Premier 0.1% EcoSystem w/Soft On, Fade to Black. Can power up to 2 single fixtures.

SMA - SURFACE MOUNT ARCHITECTURAL



A threaded back bolt on the fixture mounts through medium and into the back plate, allowing wire pass through and secured with provided nut. The enclosure is complete with three 0.88" knock-outs and 0.25" holes for optional suspension cables. For use with surface medium up to 0.625" in thickness.

CONTRA C0.5 - REMOTE POWER SUPPLY

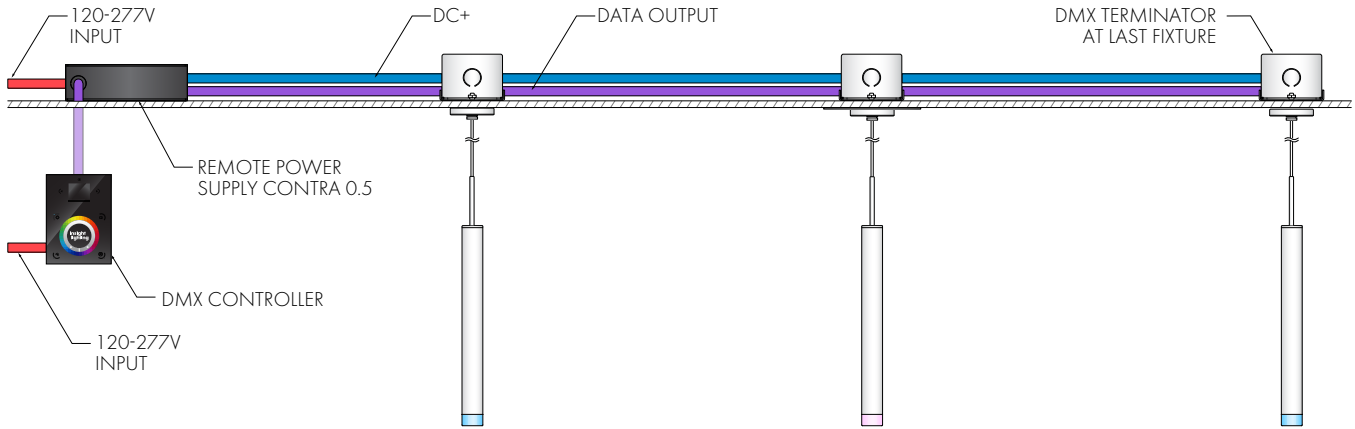


Remote power supply enclosure. 90.0 W with dimming, 96.0 W with no dimming. Plenum rated option available. (PL120 or PL277). Can power up to 25 single fixtures. Finish is SG White unless otherwise specified.

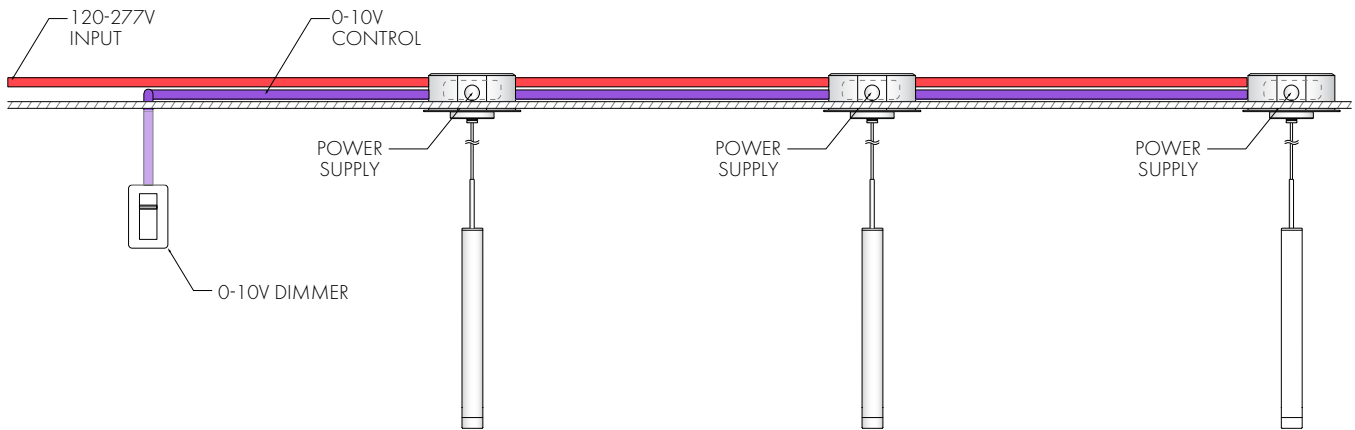
PROJECT: _____ TYPE: _____ CAT. #: SCO - - - - -

WIRING EXAMPLES

SINGLE FIXTURES - COLOR CHANGING SHOWN WITH STANDARD ARCHITECTURAL MOUNTING



SINGLE FIXTURES - WHITE LIGHT SHOWN WITH OPTIONAL JBOX COVER PLATE



ARRANGEMENTS - WHITE LIGHT OR COLOR CHANGING

