



Shakespeare

A valmont BRAND



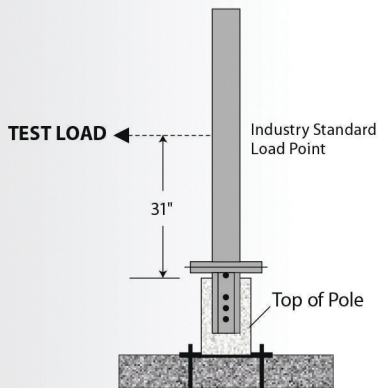
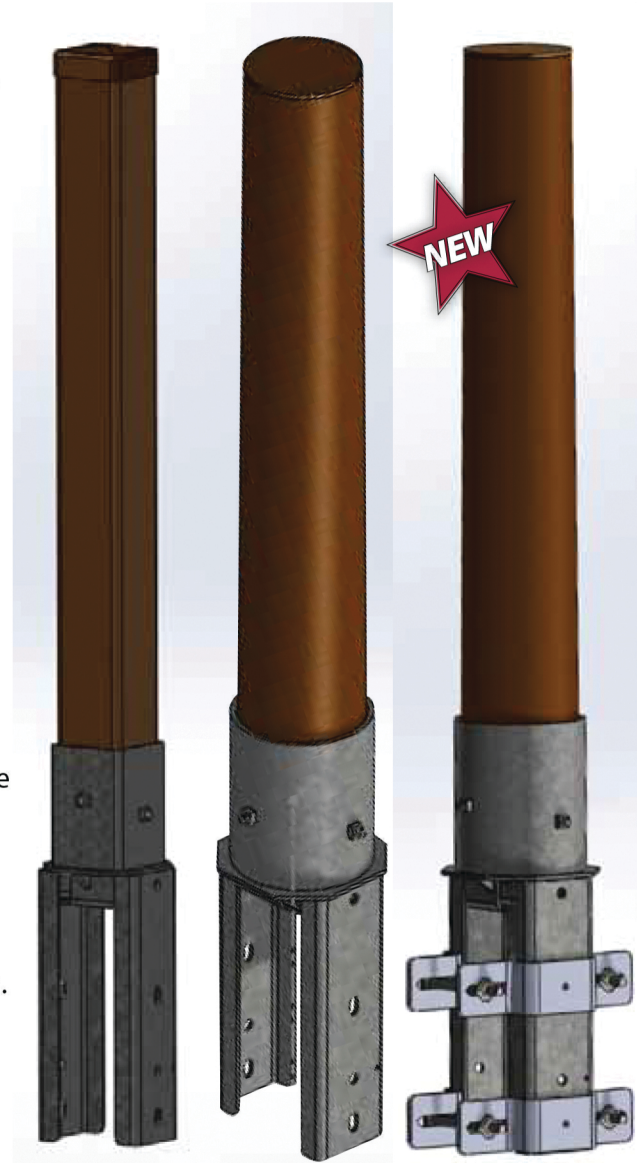
The Exceptionally strong, braggably economical Tuff-Top™ Pole Extension

Unparalleled strength, unmatched economy.

- **Exclusive:** Filled with structural foam for strength and insect exclusion
- Available in a range of strength ratings
- Light weight, easily installed
- Unexcelled strength, high load capacities
- Adjustable 6" to 10" for pole diameter (19" to 31" circumference)
- Aesthetically pleasing, extends any pole—wood, composite, etc., with or without drilling holes in the top of the pole.

Shakespeare Composite Structures' Tuff-Top Pole Extensions provide a convenient, inexpensive, and durable way to add conductors or increase clearance on an existing pole installation, whether composite or other type of pole. These strong, attractive extensions are factory assembled from a length of fiberglass reinforced composite pole, plus a versatile attachment bracket.

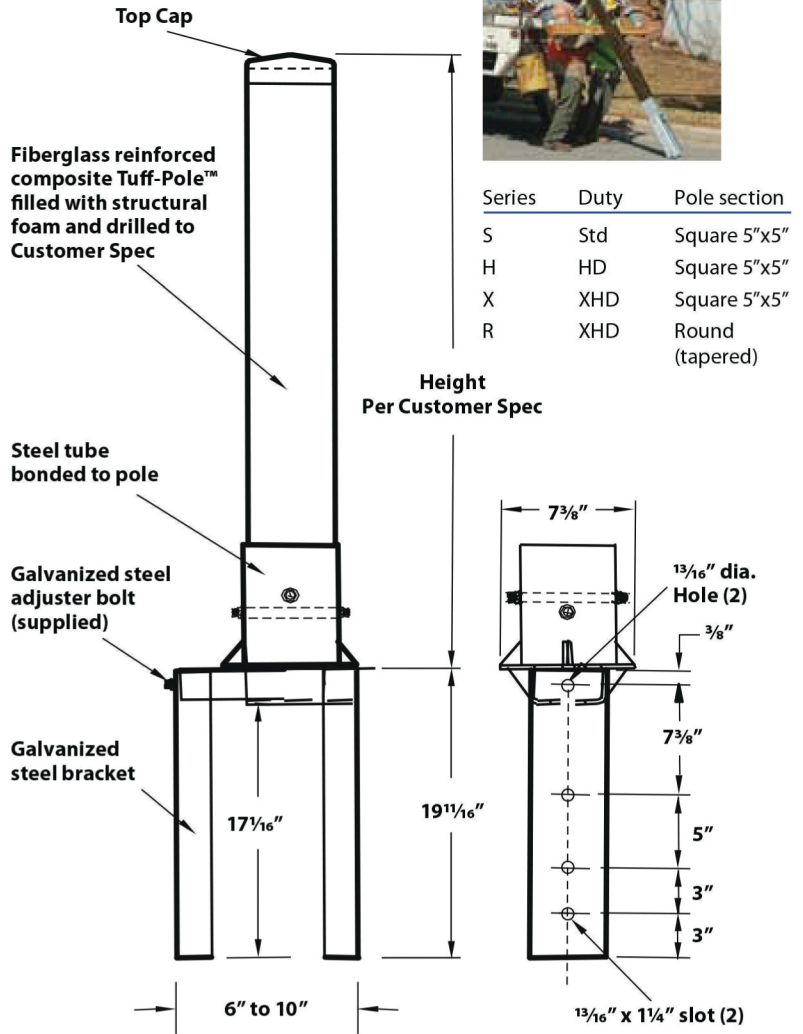
The pole sections are **filled with a durable, permanent, structural foam** that excludes insects and water and discourages flexing. The versatile attachment brackets either bolt through the pole or, for strongest applications, clamp on. Either way, you can add one or more crossarms, as well as a ridge pin and other attachments. The pole sections come in three standard colors, or you can specify.



Tuff-Top Test Data

Series	Ultimate Load	
	(lbs @ 31")	(ft/lbs @ 31")
PTS	5,500	14,208
PTH	6,500	16,790
PTX	8,500	21,958
PTR	8,500	21,958





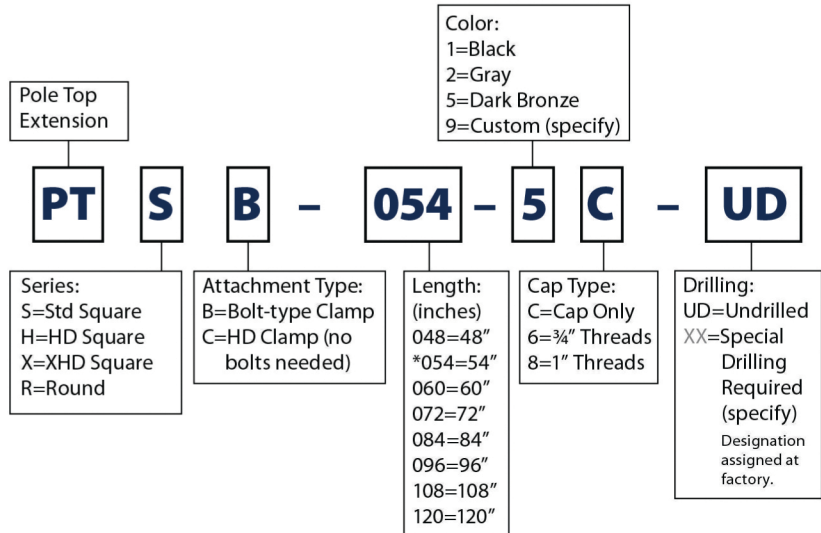
Series	Duty	Pole section
S	Std	Square 5"x5"
H	HD	Square 5"x5"
X	XHD	Square 5"x5"
R	XHD	Round (tapered)

How to order

The Tuff-Top Pole Extension ordering logic is shown at right. Use this checklist and the diagram above to specify the product you need. If you need assistance, just call.

	Standard	Specify
Series	S (Std)	_____
Attachment type	B (bolt through)	_____
Length	54"	_____
Color	Dark Bronze (5)	_____
Cap type	C (Cap only)	_____
Drilling Pattern	UD (undrilled)	_____
Dia. of drilled holes	1 1/16"	_____
Other		_____

Shakespeare Tuff-Top Pole Extensions



*Standard Length = 54"; Custom lengths available
Weight of standard unit: 72 lbs.



<http://skp-cs/poleextensions.asp>



19845 U.S. Highway 76 · Newberry, SC 29108
803.276.5504 · F/803.276.8940

Toll-free in U.S.A.: 1.800.800.9008 · www.skp-cs.com