



# CELESTE

GEN 2 COLOR MIX 60W LED



5 Holt Drive,  
Stony Point, NY 10980  
845-947-3034  
www.tsight.com

The Celeste Color Mix features tunable color and a high CRI output. Mosaic Gen2 are fixtures with theatrical outputs in an architectural package. Rich hues of red, green, blue and amber can be used to paint your environment. Mosaic Gen2 also features a high CRI variable white output between 1650K-8000K. Multiple control options are available, ranging from DMX to 0-10V control.

Improvements over the first generation Mosaic fixtures include an enhanced green output and hybrid dimming control.

Manufactured in the USA - IBEW



## Construction

- Extruded aluminium with black, white or silver finish.
- Multiple mounting options
- Internal multiple accessory holder
- Weight: 15 lbs.

## Electrical

- Integral electronic driver
- Meets FCC 47 CFR Part 15/18 Requirements
- 60 Watts
- Power Input: Universal (120-277V)
- DMX Addressing is RDM-only (No onboard DMX)

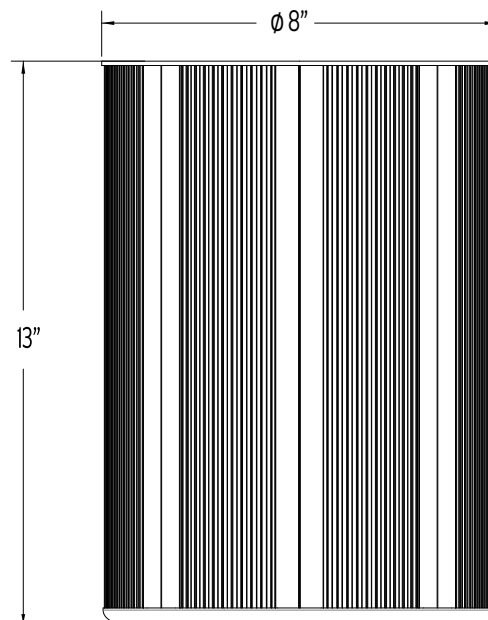
## Warranty

- 2-year limited warranty
- UL Listed Product

Maximum ambient temperature: 40°C  
Maximum operating angle: 45° from vertical



COLORMIX



Module	Total Wattage	Lumen Package	Efficacy (Lm/W)	CRI
CM	60	5000	84	80+ to 90+

## GEN 2 Enhanced Green Personality Options

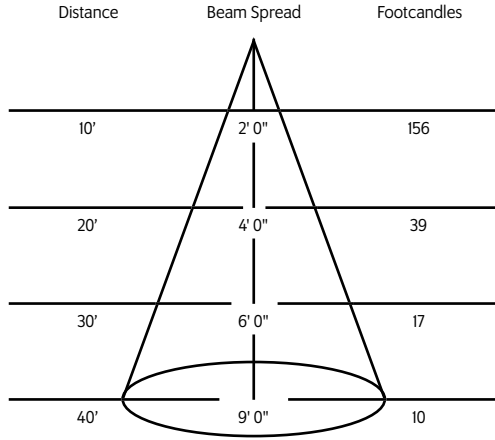
- Dynamic Dimming: 1-Channel Profile, Dims 3200K - 1650K
- Intensity, CCT, Saturation, and Hue. 4-Channel DMX Personality.
- RGBW 4-Channel Profile Standard
- RGBW Profile with selectable fixed white color temperature. Can be set to 2700K, 4000K, or 6500K.

## GEN 2 Hybrid Dimming

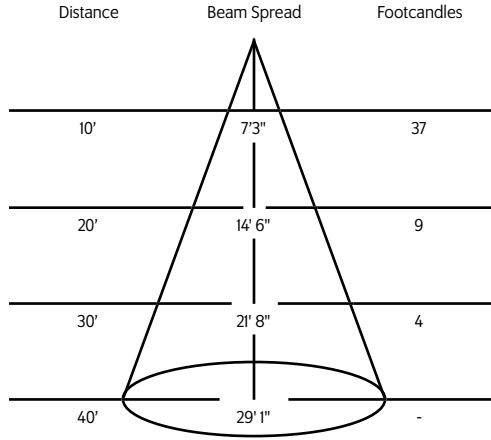
- 0.1% dimming utilizing a combination of current control and pulse width modulation for flicker-free dimming.
- Compatible with high-speed cameras

# Photometric Data

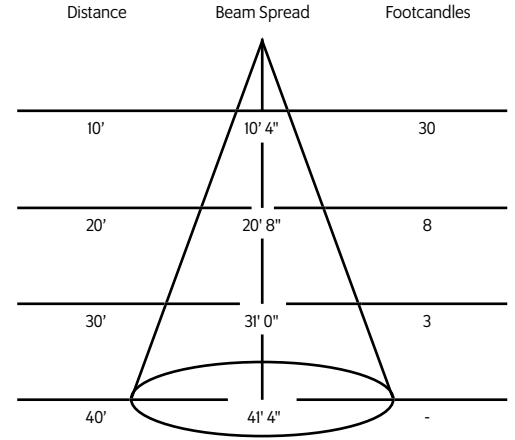
### 12° Spot Reflector



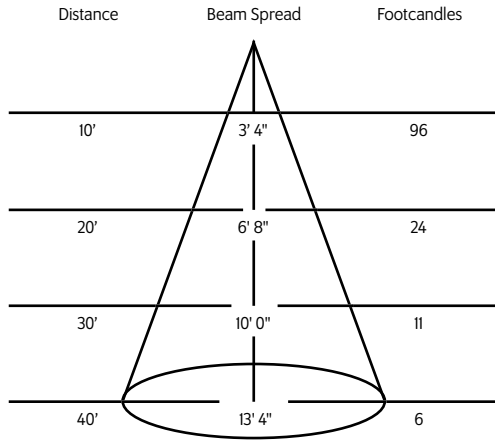
### 40° Spot Reflector



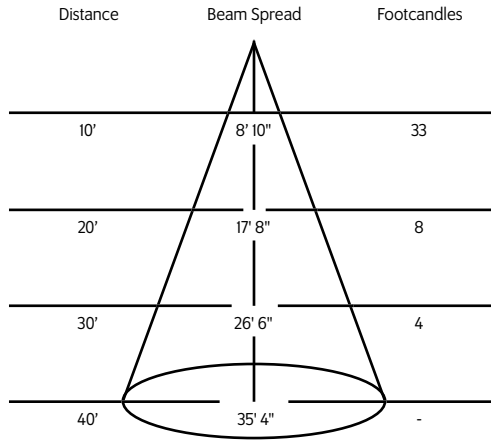
### 55° Medium Flood Reflector



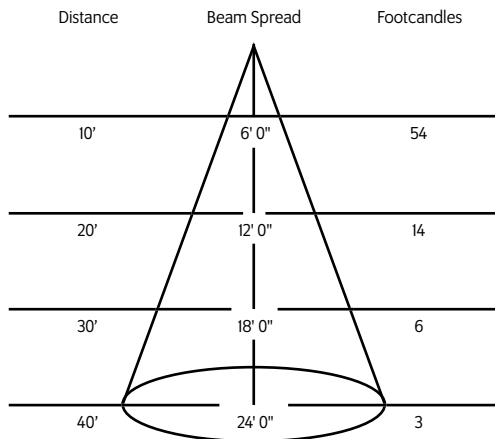
### 19° Medium Flood Reflector



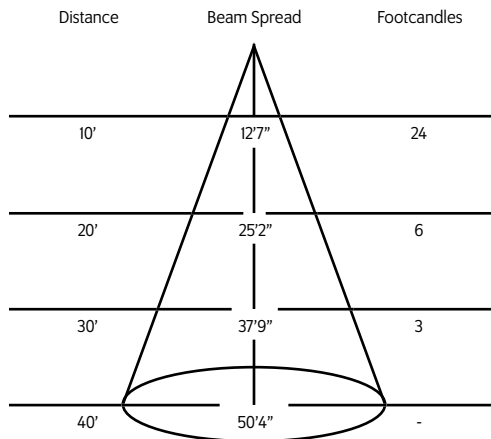
### 48° Medium Flood Reflector



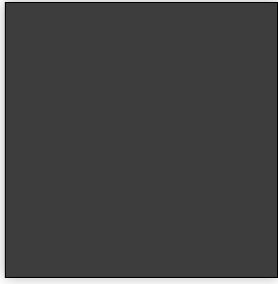
### 33° Flood Reflector



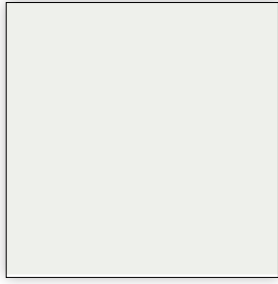
### 64° Flood Reflector



## Custom Colors



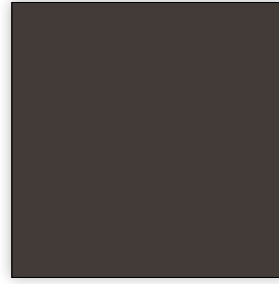
Black



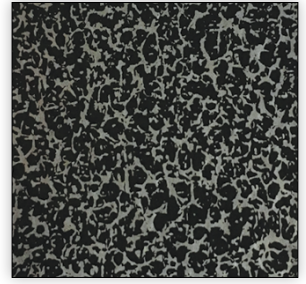
White



Silver



Bronze



Silver Vein

## HOW TO SPECIFY:

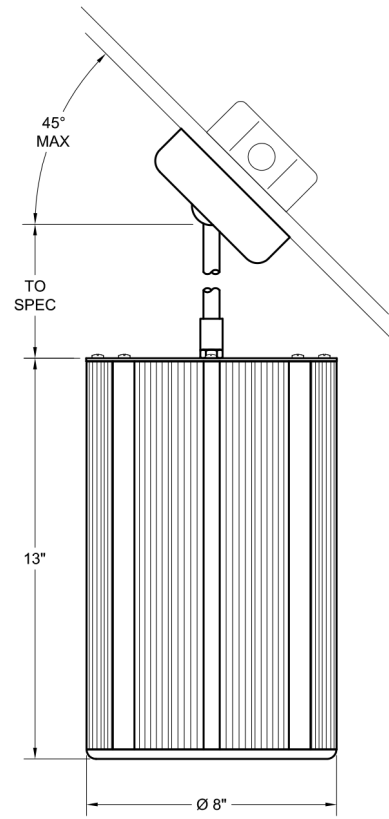
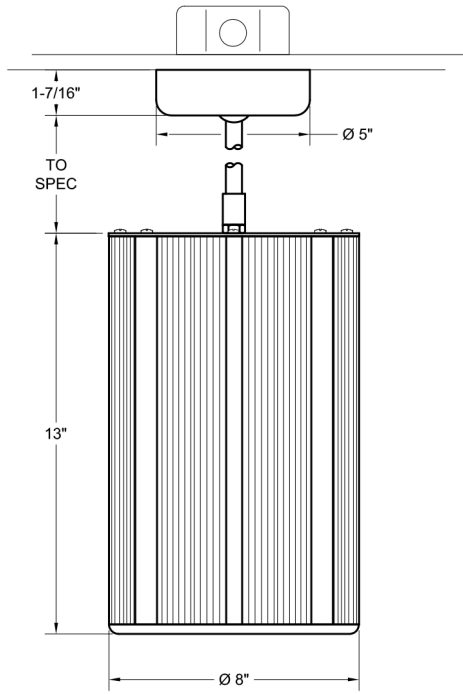
MODEL	ARRAY	FINISH
<b>CEL60</b>	<b>CT</b> = Color Tune	<b>B</b> = Black <b>W</b> = White <b>S</b> = Silver <b>Z</b> = Bronze <b>V</b> = Silver Vein <b>C</b> = Custom Color
OPTICS	MOUNTING	DIMMING
<b>12</b> = 12° <b>19</b> = 19° <b>33</b> = 33° <b>40</b> = 40° <b>48</b> = 48° <b>55</b> = 55° <b>64</b> = 64°	<b>PM</b> = Pendant Mount (Specify Length in Inches) <b>AC</b> = Aircraft Cable, 120" supplied, field-cutttable <b>YME</b> = Yoke Mount w/ 6' Edison Whip <b>YMT</b> = Yoke Mount w/ 6' Twist Lock Whip <b>YM3</b> = Yoke Mount w/ 3-Wire Whip Without Connector (Provided w/ 10' leads) <b>YM5</b> = Yoke Mount w/ 6' 5-Wire Whip Without Connector for 0-10V Dimming (Provided w/ 10' leads) <b>SM</b> = Surface Mount (I-Box Mount) <b>SL</b> = Swivel Canopy for tilted ceiling or where field adjustable stem lengths are required (specify maximum length in inches.)	<b>DX</b> = DMX / RDM
CONNECTOR	ACCESSORIES	
<b>3</b> = 3 PIN XLR (Fixture Top)† <b>5</b> = 5 PIN XLR (Fixture Top) <b>T</b> = Terminal Block (Fixture Top) <b>E</b> = RJ45 Ethernet (Ethernet) (Fixture Top) <b>TC</b> = Terminal Block (Fixture Canopy)*†  * PM Option Only † Not compatible with Surface Mount	<b>L</b> = Louver <b>G</b> = Glow Ring <b>S</b> = Integral Surge Protector, 10kA L-G, 10kA N-G, 20kA L-N	

**EXAMPLE:** CEL60-CT-W-55-AL-DX-5-G

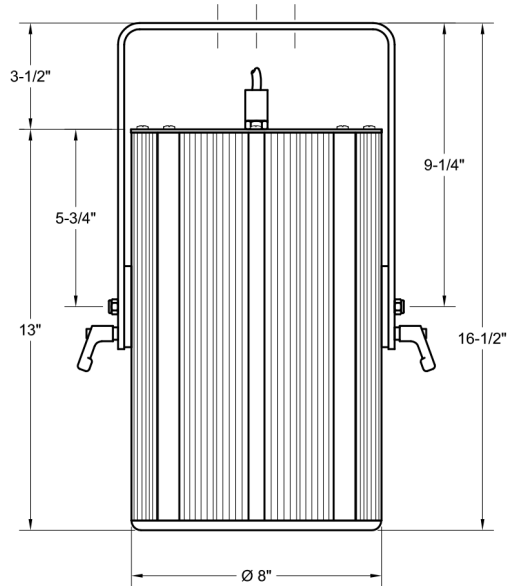
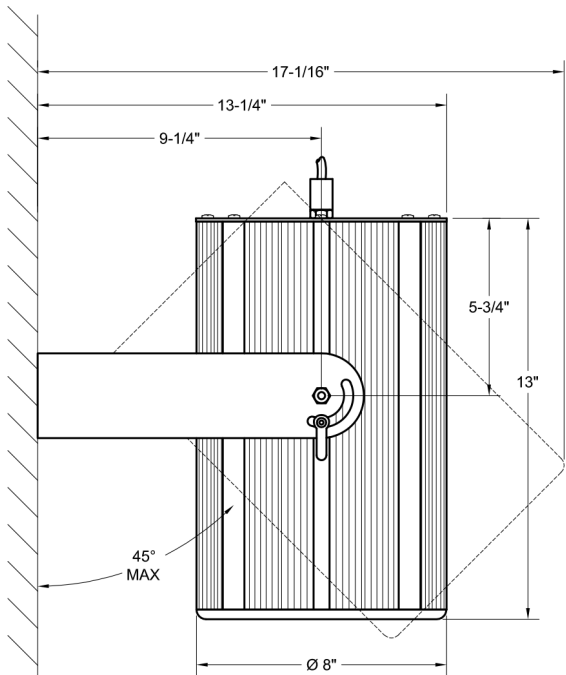
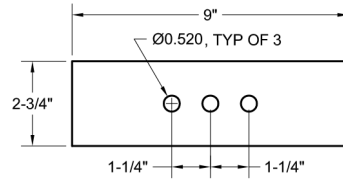
MODEL	ARRAY	FINISH	OPTICS	MOUNTING	DIMMING	CONNECTOR	ACCESSORIES
<b>CEL60</b>	<b>CT</b>						

\* For notes on dimming, please [click here](#).

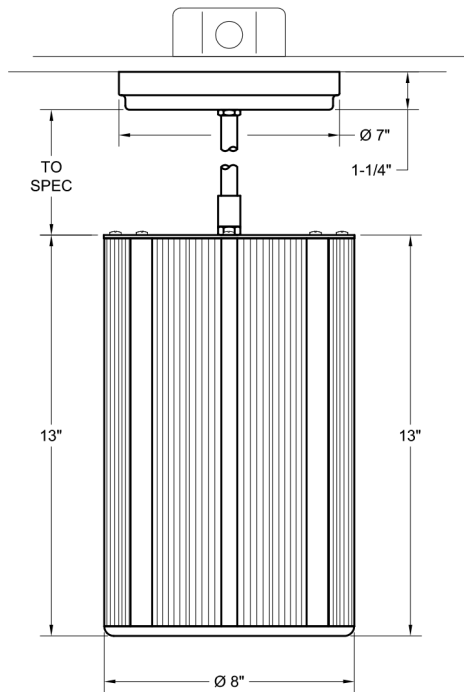
# STEM MOUNT, SWIVEL CANOPY



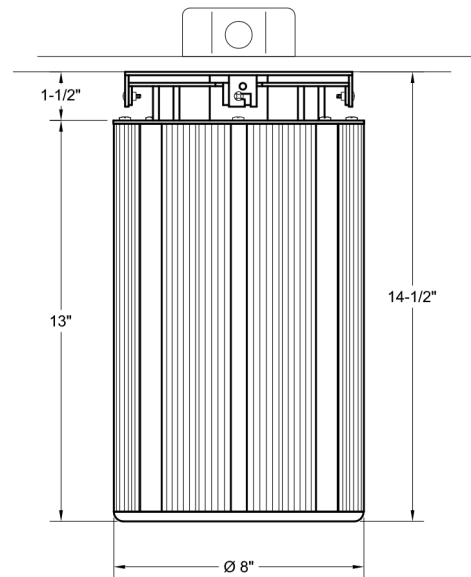
# YOKE MOUNT



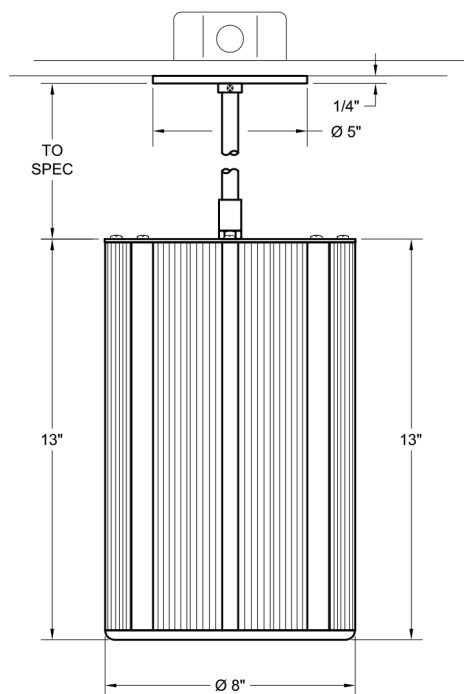
# STEM MOUNT, CANOPY WITH TERMINAL BLOCK



# SURFACE MOUNT



# STEM MOUNT, STANDARD CANOPY



# CABLE MOUNT, STANDARD CANOPY

