



H38 18.5W

LED SORAA PAR38



5 Holt Drive,
Stony Point, NY 10980
845-947-3034
info@tslight.com

The H38 Spotlight is a specification grade medium and long throw unit designed for PAR38 medium screw base LED lamps. Its theatrical styling and architectural function makes it the perfect unit for spaces such as museums, galleries, exhibits, retail and themed environments where a visually interesting, high intensity spotlight is required.

By utilizing Soraa's Snap System, there are unlimited possibilities for customizing this fixture. Options include the ability to field change the beam angle (Beam Spreader Snap), alter color temperature (CTO Snap), or to add a louver. Color Snaps can be used to produce brilliant hues of any color that Rosco or Lee offer.

The Enhance Lens Snap can increase the vividness of warm colors (including red, orange and pink and greens). Aim Snaps can bend the beam to a maximum deflection angle of 20°. Linear Snap Lenses can alter the beam to act as a wall wash.

Manufactured in the USA - IBEW

PRODUCT LISTED
BY A NATIONALLY
RECOGNIZED
TESTING
LABORATORY



Features

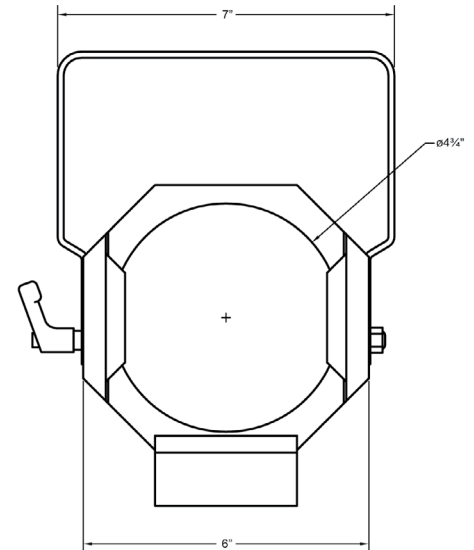
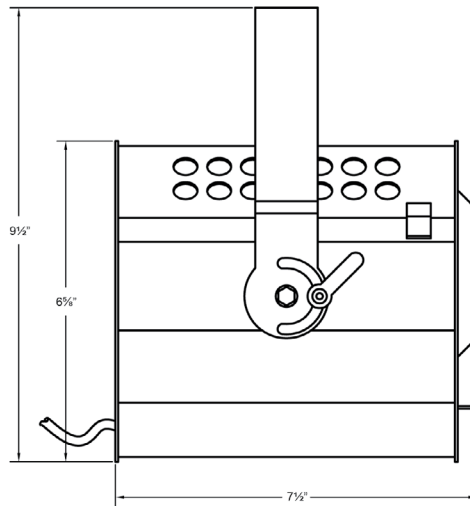
- Theatrical design
- Performance equivalent to 100W halogen PAR lamp
- Accessory holder
- Numerous mounting options
- Industry leading lumen maintenance and color point stability
- Sturdy steel construction
- Ratchet handle locking for vertical focusing
- Dimmable
- Weight: 3.5 lbs

LED

- 10° SORAA lamp included - use snaps to change the beam angle.
- Color temp options: 2700K, 3000K, 4000K
- CRI: 85 or 95
- No UV or IR

Dimming

- Trailing edge (ELV)
- Leading edge (Triac)



Lamp Type	Watts	CRI	Lumens*
Brilliant	18.5	85 (R9=0)	1280
Vivid	18.5	95 (R9=95)	1000

* Lumens vary depending on color temperature - results for 3000K lamp used above.

Ordering Matrix

Model	CRI	Color Temperature	Color	Mounting Options	Accessories
H38	95 85	27 = 2700K 30 = 3000K	B=Black W=White S=Silver CC=Custom Color	See Mounting Options for Ordering Codes	See Accessory Options for Ordering Codes

* All fixtures sold with 10° beam angle lamps – use Beam Spreaders to achieve desired angle.

Example: H38-9527-B-ADI-LV6

H38-_____-_____-_____-_____-_____

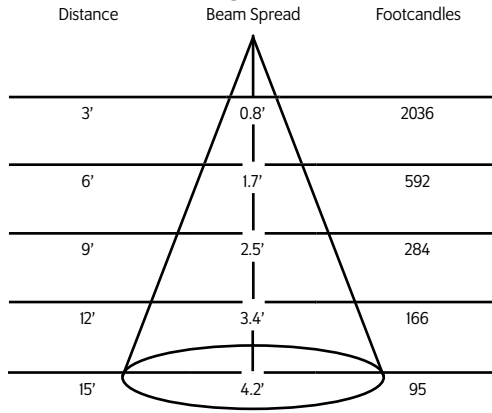


Snap Lenses

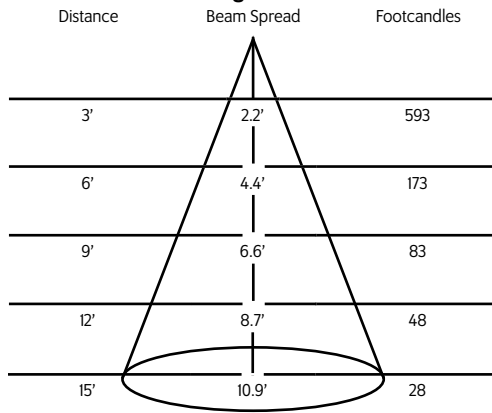
* Specification sheets are subject to change without notice.

Photometric Data

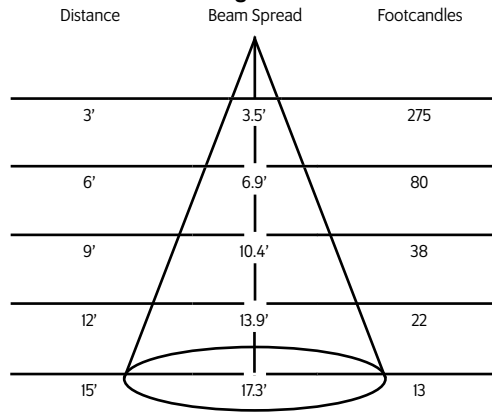
9° Degree Beam



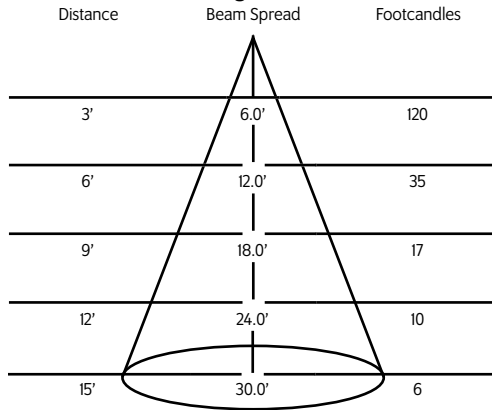
25° Degree Beam



36° Degree Beam



60° Degree Beam



* Testing done on 3000K unit: Lumen output changes based on color temperature.

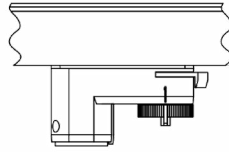
Mounting Options

T1
Track adapter for commercial grade 1 & 2 circuit track. 120V. For use with larger, heavier fixtures.

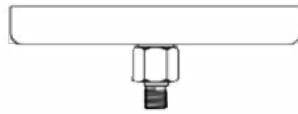
TA2
Track adapter for G-Series specification grade 2-circuit track. 120V or 277V.

TA3
Track adapter for G-Series specification grade 3-circuit track. 120V.

TA1
Track adapter for E-Series specification grade track. 1 or 2 circuit. 120V.



CM4
Canopy mount.



US1
6 5/8" x 1 1/2" Unistrut adapter.

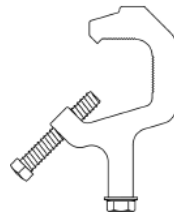


TB8
8" x 8" Portable table base for floor or table use.



MN
Medium duty pipe clamp for small to large fixtures. For pipes up to 2" O.D.

PC9M
Heavy duty pipe clamp for large, heavy fixtures. For pipes up to 2" O.D.



Accessories

LV17	Louwer
BD17	Barndoor
CF17	Color Frame
GF17	Glass Color Filter
DF17	Dichroic Color Filter
GF17-600	5°x50° Linear Lens
GF17-601	Beam Softener
GF17-673	50°x50° Spread Lens
GF17-702	UV Blocking Filter
CC18	Coiled Cord
SC	Safety Cable
IP	Integral Dimmer

Snap Accessories

01145	25° Beam Spreader Snap
01147	36° Beam Spreader Snap
01149	60° Beam Spreader Snap
01595	10°-36° Linear Snap
03261	10°-60° Linear Snap
01597	36°x36° Flat Top Snap
01151	40° Cutoff Louwer
03257	20° Maximum Deflection Snap
01153	¼ Color Temperature Shift Snap
01155	½ Color Temperature Shift Snap
01157	¾ Color Temperature Shift Snap
03283	Enhance Snap
02185-C	Color Snap (Specify Color)

Extension Wands

SP 12	12" Stem
SP 18	18" Stem
SP 24	24" Stem
SP X	Custom Length

Connector / Plug Types (Optional)

ED	Edison Connector
TL	Twist Lock Connector
SP	Stage Pin Connector

* For notes on dimming, please [click here](#).