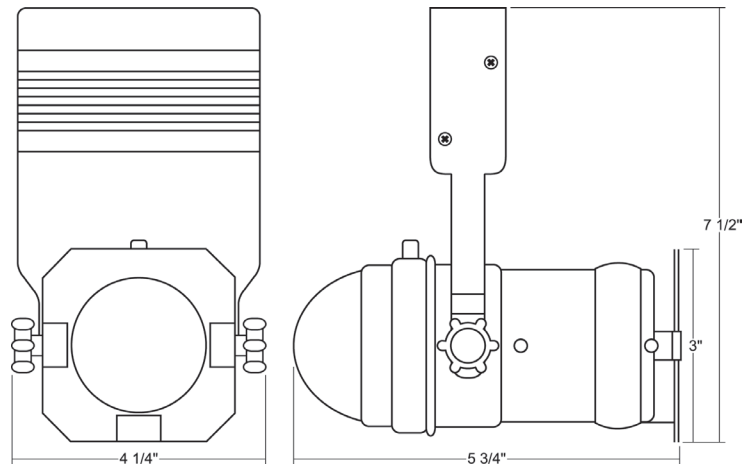
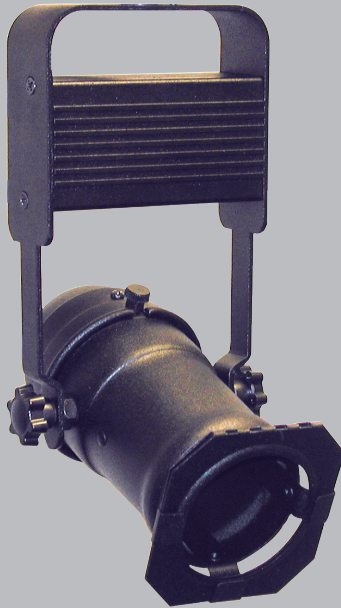


The LVP16 is a miniature par light ideal for highlighting artwork, exhibits, and retail displays. This unit accepts energy efficient MR16's. Designed with a user-friendly hinged back, this unit can be easily opened for quick re-lamping. Its accessory holder can accommodate louvers, barn doors and filters. Comes in standard black, white and silver finishes. Custom colors are available by request at an additional charge.

FEATURES

- Designed for 2-pin MR16 lamps and LEDs
- 120, 220 and 277-volt available
- Integral 12-volt dimmable transformer
- Use with electronic low voltage (ELV) Dimmer only (AKA Trailing Edge and Reverse Phase)
- Numerous mounting options and accessories
- Weight: 1 lb



MODEL NUMBER	FINISH	MOUNTING	ACCESSORIES
LVP16	B Black W White S Silver CC Custom Color	<p>AD1 Track Adapter. 1 or 2 Circuit track. 120V. T1 Track Adapter. E-Series. 1 or 2 Circuit. 120V. TA1 Track Adapter. G-Series. 2 Circuit. 120V. TA2 Track Adapter. G-Series. 2 Circuit. 120V. HTA2 Track Adapter. G-Series. 2 Circuit. 277V. TA3 Track Adapter. G-Series. 3 Circuit. 120V.</p> <hr/> <p>CM4 Canopy Mount.</p> <hr/> <p>US1 6 5/8" x 1 1/2" Unistrut Adapter.</p> <hr/> <p>TB4 6 1/4" Portable Wall Mount/Table Base Floor. TB8 8"x 8" Portable Table Base / Wall Plate.</p> <hr/> <p>MC Light Duty Pipe Clamp. For pipes up to 15/16" O.D. MN Medium Duty Pipe Clamp. For pipes up to 2" O.D.</p>	<p>LV18 Louver BD1 Barn Door CF1 Color Frame GF2 Glass Color Filter DF2 Dichroic Color Filter GF2-600 5°x50° Linear Lens GF2-601 Beam Softener GF2-673 50°x50° Spread Lens GF2-702 UV Blocking Filter CC18 Coiled Cord IP Integral Dimmer</p>

EXAMPLE: LVP16 - B - TA2 - LV6

MODEL NUMBER	FINISH	MOUNTING	ACCESSORIES
LVP16			