



Manufactured in the USA - IBEW



Power

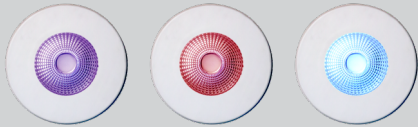
- Power Consumption: 28W
Max. Operating Temp.: 104°F (40°C) ambient
- 90 - 305 VAC, 50/60 Hz
- Do not install on a circuit containing a dimmer.
- DMX Addressing is RDM-only (No onboard DMX)

Optics

- 20°, 40° or 60° field-changeable reflectors

Weight

- Weight: 2 lbs.



Features

- Fixture is for remodel or new construction.
- ± 20 Aiming Angle.
- Fixture ships with RJ45 connectors and terminal blocks for data in/out.



* Specification sheets are subject to change without notice.

Recessed MOSAIC

PRELIMINARY SPECIFICATION SHEET



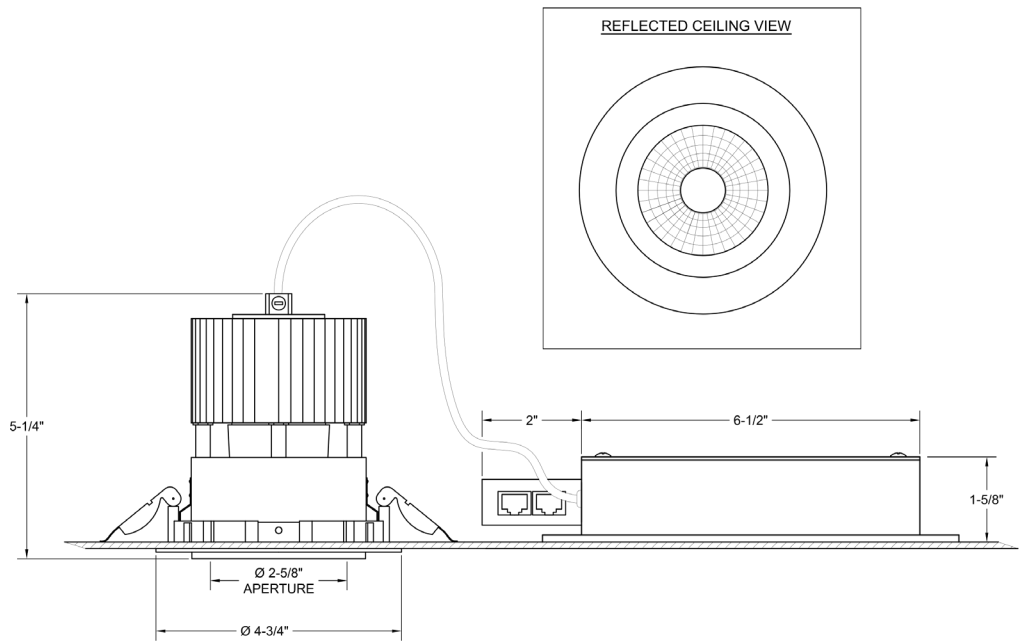
5 Holt Drive,
Stony Point, NY 10980
845-947-3034
www.tslight.com

Color Mixing - Tunable White

The Recessed Mosaic features tunable color and a high CRI output. It also features tunable white from 1800K-8000K with a CRI of 90+ across the entire temperature range. Rich blues, ambers, reds, violets and greens can be added in gradients or can completely saturate the output of the light. Interchangeable reflectors allow beam angles between 20° and 60°. This fixture is perfect for retail applications such as car dealerships and clothing stores but is equally well suited for illuminating artwork or using it in an archtainment setting.

LED:

- 2000 Lumen Output
- 4 DMX Channels
- Tunable range: 1650 - 8000K tunable white.
- 90+ CRI
- Dimmable from 100 - 0.1% at constant CCT
- <2 MacAdam ellipse over 50,000 hour life
- On-board Bluetooth Low Energy (BLE) included in every fixture



Ordering Matrix

Model	Finish	Optics	Mounting	Dimming*	Control/DMX Connector
FCT22	B - Black W - White S - Silver CC - Custom Color	20 = 20° 40 = 40° 60 = 60°	NC = New Construction RF = Retrofit	BT = Bluetooth DX = DMX / RDM	T = Terminal Block E = RJ45 Ethernet

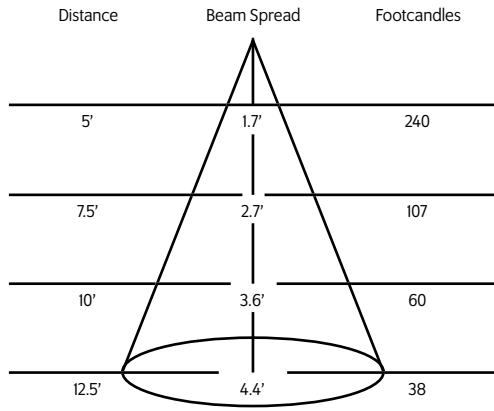
* See Notes on Dimming.

Example: FCT22-B-40-NC-DX-T

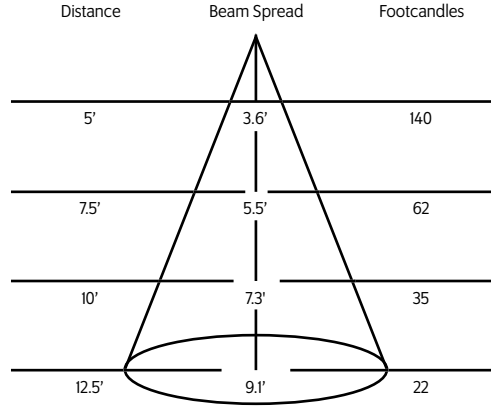
FCT22 - _____ - _____ - _____ - _____ - _____

Photometric Data 4000° K 95CRI

20° Spot Reflector



40° Medium Flood Reflector



60° Flood Reflector

