



V300

High Power COB Ellipsoidal

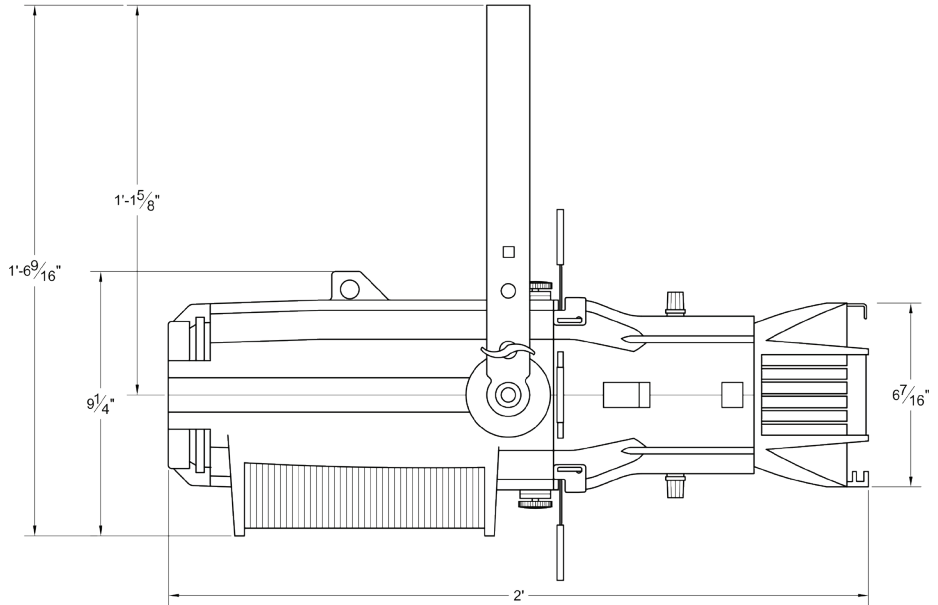


5 Holt Drive,
Stony Point, NY 10980
845-947-3034
www.tslight.com

The V300 is a high-output full color (RGBAL) LED ellipsoidal. The flicker-free operation and extremely quiet cooling system make it an ideal fixture for theatrical and studio use. The V300 accepts B size patterns and is compatible with most standard accessories.

Features

- 300W LED (RGBAL 5-in-1)
- 50,000 hours lifetime
- Die Cast Aluminum Housing
- PWM (Pulse with Modulation) for Flicker-Free Operation
- **Control Protocol:** RDM / DMX, master / slave, auto run, and sound mode
- **CRI:** Ra≥90
- **Fixed Lens:** 19° / 26° / 36° / 50° (INTERCHANGABLE)
- Fully tunable from 2,700K to 12,000K
- LCD with touch screen
- Low noise fan with copper liquid cooling system
- PowerCon-Edison cable included.
- Fixture link via PowerCon
- 5-Pin DMX
- 4 Blade manual framing shutters.



Featuring a 300W RGBAL (Red, Green, Blue, Amber, Lime) LED engine, 19°, 26°, 36°, and 50° interchangeable lens options (sold separately), (4) blade manual framing shutters, manual focus, supports B size gobos, DMX controlled electronic strobe, dimming, and dimming curves, flicker free operation for TV and FILM, 5pin DMX and Locking Power Cable in/out connections, (4) button LCD control display panel, an integrated rigging yoke, quiet fan cooling, and a universal auto switching power supply (100-240V).

Lens Tube

C419LT	19° Lens Tube
C426LT	26° Lens Tube
C436LT	36° Lens Tube
C450LT	50° Lens Tube

Specifications

- **Input Voltage:** AC 100V - 240V 50/60 Hz
- **Maximum Power:** 300W
- **Dimensions:** 24" x 6.8" x 18.9"
- **Weight:** 17 lbs.

Mounting Options

- **US1** Unistrut adapter.
- **PC9M** Heavy duty pipe clamp for large, heavy fixtures. For pipes 1/2" to 1 1/2" O.D.
- **TB8** 8" x 8" Portable table base for floor or table use.
- **SC** 1/8" diameter, 30" long steel safety cable with snap ring. Used as added security when large or heavy fixtures are being used.

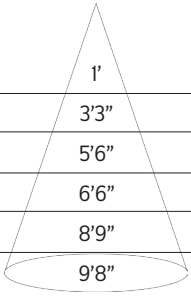
Accessories

400TH	Snoot
400HH	Half Snoot
400CF	Color Frame
400PH-B-V	Steel Pattern Holder
400PH-G	Glass Pattern Holder
400DN	Pattern Donut
400RS	Drop-In Iris
SmartMove	Pattern Rotator-Dual

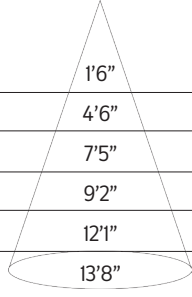
Photometric Data

*Measured at 3200K RGBAL

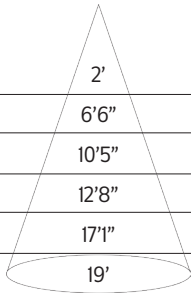
Distance	19° Degree Beam Spread	Footcandles
5'	1'	4041
10'	3'3"	518
15'	5'6"	206
20'	6'6"	139
25'	8'9"	81
30'	9'8"	66



Distance	26° Degree Beam Spread	Footcandles
5'	1'6"	2451
10'	4'6"	333
15'	7'5"	118
20'	9'2"	85
25'	12'1"	47
30'	13'8"	37



Distance	36° Degree Beam Spread	Footcandles
5'	2'	1480
10'	6'6"	195
15'	10'5"	75
20'	12'8"	53
25'	17'1"	30
30'	19'	23



Distance	50° Degree Beam Spread	Footcandles
5'	3'	768
10'	9'2"	103
15'	15'4"	41
20'	18'4"	28
25'	24'6"	17
30'	27'6"	14

