



# WW Series

## Wall Wash



5 Holt Drive,  
Stony Point, NY 10980  
845-947-3034  
info@tslight.com

The WW (Wall Wash) Series features an asymmetrical reflector that provides even field of illumination. This distribution of light from ceiling to floor hides imperfections in the wall and smoothly eliminates shadows, adding a feeling of depth to any room.

The WW has an available high CRI option which is ideally suited for lighting artwork. Numerous lumen outputs are available, ranging between 800 and 5000 lumens. A variety of dimming options are available, including phase dimming, 0-10V and IP (integral potentiometer) dimming.

The WW Series is available in standard black, white and silver finishes. Custom colors are available upon request.

Manufactured in the USA - IBEW



### Electrical

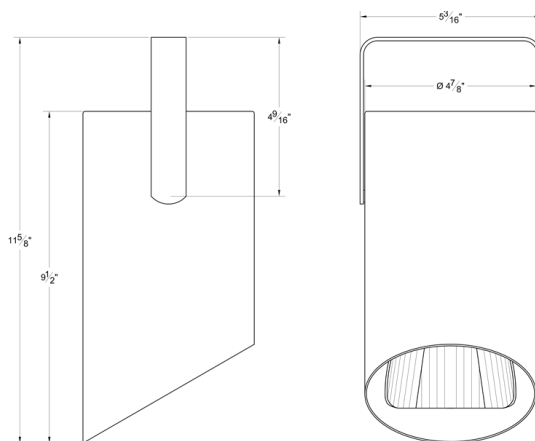
- Integral electronic driver
- 120-277V, 50/60Hz
- Meets FCC 47 CFR Part 15/18 Requirements

### Construction

- Steel & aluminum housing with black, white or silver finish
- Weight: 3 lbs.
- Asymmetrical reflector

### Dimming

- Trailing edge (ELV): 120V / 277V
- Leading edge (Triac): 120V only
- 0-10V: 120V only (ControlTrac), 120-277V otherwise
- IP (Integral Pot) dimming available
- Lutron ecosystem premier driver available, featuring dimming to 0.1% and soft on/soft off incandescent like dimming. Only available on fixtures 20 watts or less.



CRI	Lumens	Watts	Lumens per Watt
80	1000	5.7	175
80	2000	11.6	172
80	2800	16.4	171
80	3700	23	161
80	5000	35	143
92	800	5.7	140
92	1600	11.6	138
92	2200	16.4	134
92	3000	23	130
92	4100	35	117

### Ordering Matrix

Model	Lumens	CRI	Color Temp	Finish	Voltage	Mounting	Dimming†	Accessories
WW	8 = 800*	80 92	27 = 2700K	B = Black	120 240 277	See Mounting Options	TE = Trailing Edge*** LE = Leading Edge (120V Only) 0-10V IP = Integral Pot‡ ECP = Ecosystem premier 0.1% dim	See Accessory Options
	10 = 1000**		30 = 3000K	W = White				
	16 = 1600*		35 = 3500K	S = Silver				
	20 = 2000**		40 = 4000K	CC = Custom Color				
	22 = 2200*		57 = 5700K**					
	28 = 2800**							
	30 = 3000*							
	37 = 3700**							
	41 = 4100*							
	50 = 5000**							

Maximum ambient temperature: 35°C  
Maximum operating angle: 45° from vertical  
\*92 CRI Only \*\*80 CRI Only  
\*\*\* Not available with 800 or 1000 lumen fixtures @ 277V

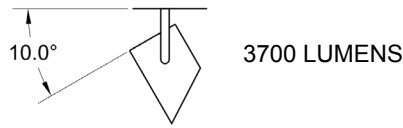
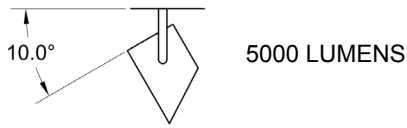
† See "Notes on Dimming" on reverse  
‡ Not available with 800, 1000, 3000 or 4100 lumen fixtures.

\*Specification sheets are subject to change without notice.

Example: WW20-92-27-B-120-TI-IP-CC18

WW \_\_\_\_\_ - \_\_\_\_\_ - \_\_\_\_\_ - \_\_\_\_\_ - \_\_\_\_\_ - \_\_\_\_\_ - \_\_\_\_\_ - \_\_\_\_\_

## Photometric Data



FC	FC	FC	FT
-	113	270	2
55	144	310	3
63	151	268	4
68	145	230	5
70	137	182	6
67	120	148	7
63	102	120	8
59	85	95	9
49	71	76	10
46	59	62	11
42	50	51	12

FC	FC	FC	FT
-	87	202	2
41	110	226	3
46	108	204	4
49	104	175	5
48	95	139	6
45	84	110	7
44	72	86	8
40	61	70	9
37	52	56	10
33	43	51	11
30	37	45	12

## Mounting Options

**DT2** 2-circuit track adapter for SpecTrack databus. 120V.

**TI** Track Adapter for commercial grade 1 & 2 circuit track. 120V. For use with larger, heavier fixtures.

**TA1** Track adapter for E-Series specification grade track. 1 circuit. 120V.

**TA2** Track adapter for G-Series specification grade 2-circuit track. 120V.

**HTA2** Track adapter for G-Series specification grade 2-circuit track. 277V.

**STA** 2 circuit track adapter for Data Bus. Specification grade track. 120V.

**TA3** Track adapter for G-Series specification grade 3-circuit track. 120V.

**CM4** Canopy Mount

**US1** 6 $\frac{5}{8}$ " x 1 $\frac{1}{2}$ " Unitrut Adapter

**TB8** 8" x 8" Portable table base for floor and table use

**MC** Light duty pipe clamp for small fixtures. For pipes up to 1 5/16" O.D.

**MN** Medium duty pipe clamp for small to large fixtures. For pipes up to 2" O.D.

**PC9M** Heavy duty pipe clamp for large, heavy fixtures. For pipes up to 2" O.D.

### Accessories

<b>CC18</b>	Coiled Cord
<b>SC-24</b>	Safety Cable

### Extension Wands

<b>SP 12</b>	12" Stem
<b>SP 18</b>	18" Stem
<b>SP 24</b>	24" Stem
<b>SP X</b>	Custom Length

\* For notes on dimming, please [click here](#).