



High Lumen efficiency >90lm/W Very reliable joint Variety optical accessories for choice

Construction

- Aluminum housing with black or white finish
- **Weight:** 2 lbs.

Electrical

- Integral electronic driver
- 120V, 50/60Hz
- Meets FCC 47 CFR Part 15/18 Requirements

Compatibility

- For use with Times Square Lighting single circuit track.

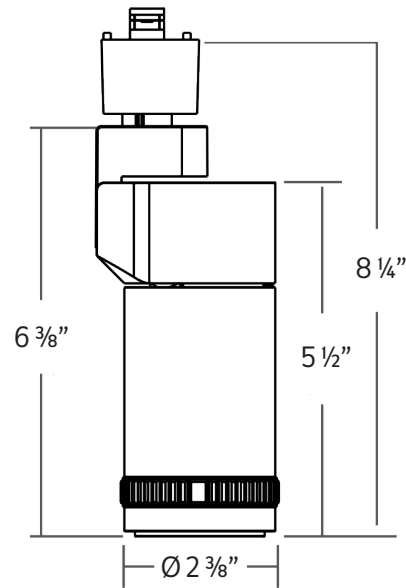
ZOOMABLE TRACK HEAD

2275 LUMENS



5 Holt Drive,
Stony Point, NY 10980
845-947-3034
www.tslight.com

This Zoomable Track Head is a stylish and compact LED track light that will fit smoothly into any museum, gallery or retail environment. Featuring an adjustable beam mechanism designed to provide options from a 30° narrow to a 65° wide flood distribution. The head can be adjusted precisely 360°+ horizontal (rotation) and 90° vertical without dead angle. The light, as a result, is emitted exactly where you need it.



Features

- Stylish and compact design with integrated driver.
- Light efficiency is greater than or 90lm/W.
- CRI: 90
- Lumen maintenance: 90% of initial lumen output at 33,000 hours on LM-80 testing
- No UV or IR

Specifications

- **INPUT VOLTAGE:** 120V AC, 50-60HZ
- **DIMMABLE:** Trailing Edge, Leading Edge
- **BEAM ANGLE:** 30° to 60° (ZOOM)

| Model | CRI | Total Wattage | Delivered Lumens |
|-------|-----|---------------|------------------|
| TL030 | 90 | 30 | 2275 |

Ordering Matrix

| Model | Lumens | CRI | Color Temp | Finish | Voltage | Mounting | Dimming † |
|-------|-----------|-----|------------|------------------------|---------|----------|--|
| TL030 | 22 = 2275 | 90 | 30 = 3000K | B = Black W = White | 120 | AD1 | TE = Trailing Edge* LE = Leading Edge |

Maximum ambient temperature: 40°C
Maximum operating angle: 45° from vertical

Example: TL030-22-90-30-B-120-AD1-TE

TL030 - _____

*Specification sheets are subject to change without notice.

Photometrics

30° Spot Reflector

| Distance | Beam Spread | Footcandles |
|----------|-------------|-------------|
| 5' | 2'8" | 680 |
| 10' | 5'4" | 170 |
| 20' | 3'6" | 43 |
| 30' | 16' | 19 |

45° Medium Reflector

| Distance | Beam Spread | Footcandles |
|----------|-------------|-------------|
| 5' | 4'2" | 320 |
| 10' | 8'3" | 80 |
| 20' | 16'7" | 20 |
| 30' | 24'10" | 9 |

65° Medium Reflector

| Distance | Beam Spread | Footcandles |
|----------|-------------|-------------|
| 5' | 6'5" | 170 |
| 10' | 12'9" | 43 |
| 20' | 25'6" | 11 |
| 30' | 38'3" | 5 |

Mounting Options

ADI Track adapter for 1-circuit track. Good for use with small, lightweight fixtures.

L020 Monopoint Canopy can be mounted to any standard 3-1/2" or 4", round or octagon electrical box.

Extension Wands

| | |
|--------------|----------|
| SX 12 | 12" Stem |
| SX 18 | 18" Stem |
| SX 24 | 24" Stem |