

# Atria 6 - Tunable White Version (ColorFlip™)



6-inch Cylinder utilizing Meteor Lighting's proprietary ColorFlip™ Tunable White solution, that results in superior efficacy and heat management. This product is compatible with all existing 0-10V and DMX control systems. Bringing human centric lighting to your spaces.



Quantity		Type	
Project		Note	

## Delivered Lumens\*

ColorFlip™	2700K	3000K	3500K	4000K	4500K	5000K	5700K	6500K	*Lumen Multiplier 40° 60° baseline 0.92
DMX CCT Signal (%)	0%	10%	25%	45%	60%	70%	85%	100%	
0-10V CCT Voltage	0	1	2.5	4.5	6	7	8.5	10	
100W	9489 lm	9142 lm	9614 lm	10500 lm	10424 lm	10183 lm	9863 lm	9650 lm	
80W	6165 lm	6512 lm	6867 lm	7214 lm	7157 lm	7093 lm	7028 lm	6972 lm	
60W	4306 lm	4549 lm	4797 lm	5039 lm	5000 lm	4955 lm	4909 lm	4870 lm	
40W	2992 lm	3160 lm	3332 lm	3501 lm	3473 lm	3442 lm	3411 lm	3383 lm	
CRI	85	86	87	88	88	87	86	85	

### Electrical System

- 40W, 60W, 80W, 100W
- Power Input: Universal (120-277V)
- Operating Temperature: -13°F~112°F
- Surge Protection: 4KV
- Remote Emergency Pack: Bodine BSL20B2UEK55C1I1
- Power factor greater than 0.9

### LED Technology

- ColorFlip™ (Tunable White: 2700K ↔ 6500K)
- 85+ CRI
- Beam Angle: 40°, 60°, WD
- Glowing Ring Option
- Rated Life > 60,000 Hours (L70)

### Advanced Dimming

- (Proprietary VX Driver is incorporated to all dimming options for video flicker-free lighting)
- DMX: high resolution dims to 0.1% (2 channel) (Supports ANSI E1.20 RDM protocol)
  - Superior 0-10V: dims to 1% (2 channel) 1 channel control dimming. 1 channel control CCT.

### Housing

- Diameter: 6.4" (164mm)
- Height: 17" (381mm)
- Material: Aluminum
- Weight: 19.8 lbs

### Mounting

- Surface Mount
- Stem 2ft or 4ft; 45° Swivel Canopy Included
- Adjustable Aircraft Cable 10ft
- Yoke Mount (AC/Dimming cable length: Standard / 6ft)

### Warranty

- 5 year limited warranty

### Listing

- ETL Damp Location Listed
- FCC
- CE



# Atria 6 - Tunable White Version (ColorFlip™)





## How To Specify:

**Ordering Example:AS6-60-TNW-UNV-DMX-40-GLR-WHT-AD10**

**4-5 weeks lead time on over 75% of specifications.**

Model	Wattage		CCT / CRI		Voltage		Dimming	
AS6					UNV			
AS6	<b>40</b>	40W	<b>TNW</b>	2700K-6500K	<b>UNV</b>	120-277V	<b>SPV</b>	Superior 0-10V dims to dark
Atria 6	<b>60</b>	60W					<b>DMX<sup>1</sup></b>	DMX dims to 0.1% (XLR Sockets)
	<b>80</b>	80W					<b>DMX (RJ45)</b>	DMX dims to 0.1% (RJ45 Sockets)
	<b>100</b>	100W						

Beam Angle		Finish		Rim Finish		Mounting		Accessories			
<b>40</b>	40°	<b>BLK</b>	Black		<b>SUM</b>	Surface Mount		<b>SPD<sup>1</sup></b>	Surge Protector		
<b>60</b>	60°		<b>WHT</b>			White	<b>ST2</b>	Stem 2ft		<b>EMP</b>	Remote Emergency Pack
<b>WD*</b>	WIDE			STD	Without Ring		<b>ST4</b>	Stem 4ft		<b>CB<sup>2</sup></b>	Cross Baffle
				GLR	Glowing Ring		<b>AD10</b>	Adjustable Cable 10ft		<b>DF<sup>3</sup></b>	Diffuser
						<b>YKM</b>	Yoke Mount		<sup>1</sup> Surge protector for up to 10KV. Applicable for unstable mains or facilities using high power machineries. <sup>2</sup> Please factor in change in lumen output with diffuser (-20% with WD; -12% with other degrees). <sup>3</sup> Please factor in change in lumen output with diffuser (-20% with WD; -12% with other degrees)		

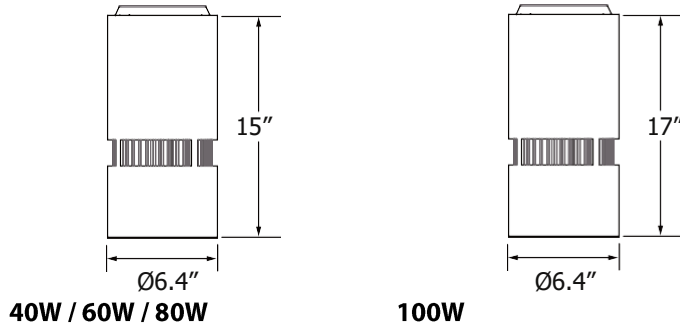
Please factor in change in lumen output with diffuser(-20% with WD; -12% with other degrees).

<sup>1</sup>Surge protector for up to 10KV. Applicable for unstable mains or facilities using high power machineries.  
<sup>2</sup>Please factor in change in lumen output with diffuser (-20% with WD; -12% with other degrees).  
<sup>3</sup>Please factor in change in lumen output with diffuser (-20% with WD; -12% with other degrees)

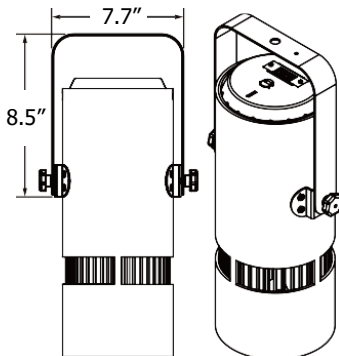
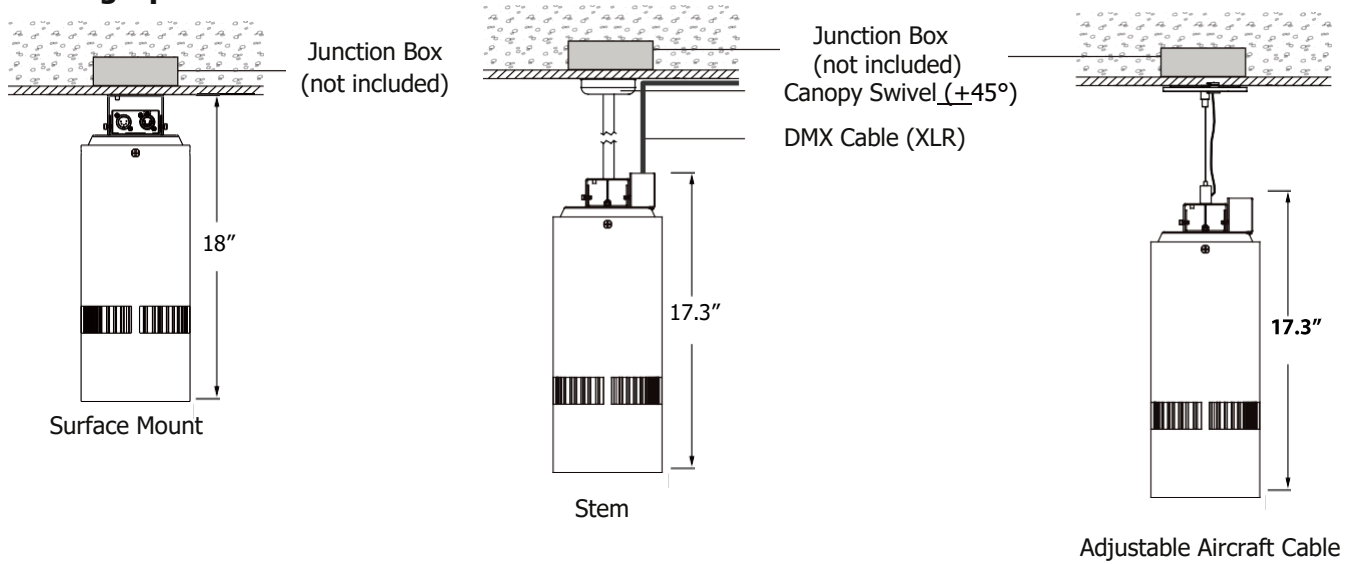
# Atria 6 - Tunable White Version (ColorFlip™)



## Dimensions



## Mounting Options



Yoke Mount



Cross Baffle

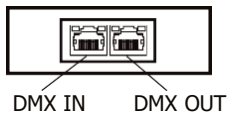
## DMX Requirements\*

Each Atria 6 DMX unit has TWO CHANNELS per fixture (1 to control intensity, 1 to control color). Fixture will be controlled by DMX number controlling intensity. We do not recommend more than 32 fixtures per DMX daisy chain. When placing order, please indicate DMX address (refer to DMX Address example below). DMX address will be listed on the back of each fixture.

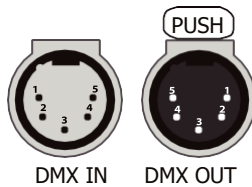
Fixture	DMX Address	
	Intensity Control (ex. X)	Color Control (ex. X+1)
#1	1	2
#2	3	4
#3	5	6

The LED fixture provide RJ45 Socket or XLR socket to connect. (DMX cable NOT included.)  
The final fixture should be terminated by the use of DMX Terminator (by others).

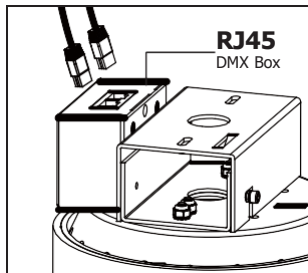
### RJ45 Sockets



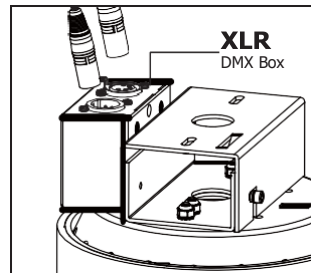
### XLR Sockets



CONNECTION	RJ45 (CAT5e)	5-PIN XLR
Common	WHITE/BROWN(PIN7) & BROWN(PIN 8)	PIN 1
Signal -	ORANGE(PIN 2)	PIN 2
Signal +	WHITE/ORANGE(PIN 1)	PIN 3
Spare	-	PIN 4
Spare	-	PIN 5



Connect DMX by using a standard shielded CAT5/6 cable.



Connect DMX by using a standard DMX512 XLR cable with 5 pin in/out connector (by others).

## Compatible DMX Cabling List

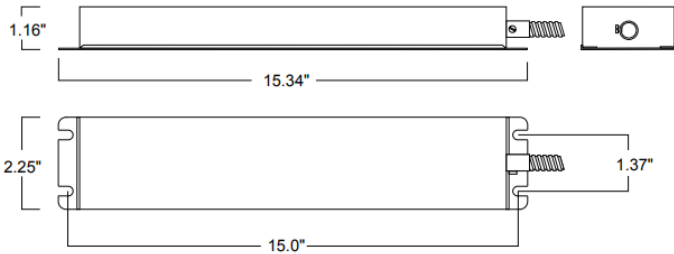
DMX uses a cable consisting of two twisted pairs plus a shield to carry data. The cable must be specifically impedance matched for the digital DMX signal, meaning that microphone cable or other non-rated cable **must not be used to carry DMX**. Network cable (Cat5, 5e or 6 cable) may be used to carry DMX in an installation; however special consideration must be given to shielding and termination. Under no circumstances should solid core cable like Cat5 be terminated into a screw down connector.

Meteor recommends the use of Belden 9729 for DMX installation. Belden 9729 is a two pair cable, which allows for a spare pair for 'out and back' type terminations if needed. Below is a list of other compatible Belden cables.

# Atria 6 - Tunable White Version (ColorFlip™)



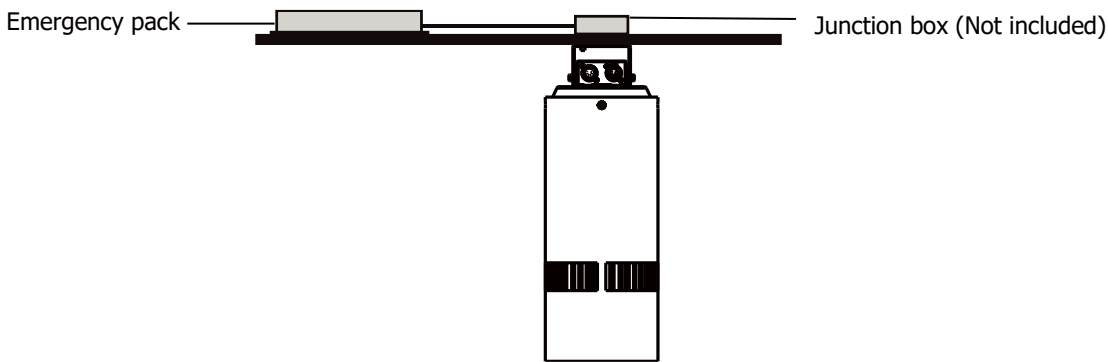
## Remote Emergency Pack



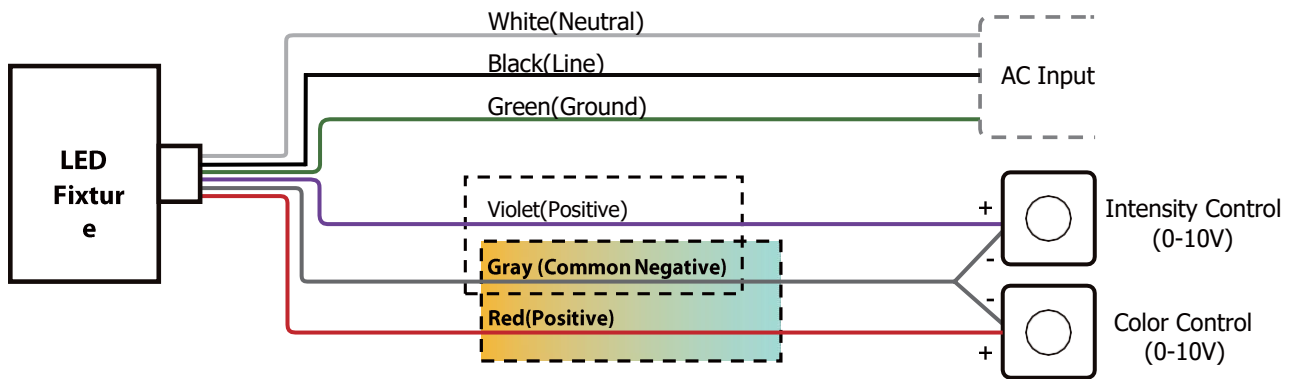
## Emergency Pack Lumen Output Table

CCT	6500
Lumen	2000 lm

## Mounting with standard ceiling recessed Junction BOX



## Superior 0-10V Wiring Diagram



## DMX Wiring Diagram

