

Bolt - Standard



The all new Bolt series. A transformation for greater heights with new technologies, performance and optics. Lumen package range of 25,245 lm – 68,340 lm. For project applications such as convention centers, multifunctional spaces, spots facilities, and others.

Quantity	Type
Project	Note

Electrical System

- 29700 lm (220W)
- 36400 lm (280W)
- 53000 lm (440W)
- 68340 lm (560W)
- Power Input: Universal (120-277V); HVT (347-480V)
- Operating Temperature: -40°F~104°F
- Surge Protection: 4 KV

LED Technology

- 3000K, 4000K, 5000K
- 85 CRI, 75 CRI
- Beam Angle: 30°, 60°, 80° and 100° (with diffuser)
- Rated Life > 100,000 Hours (L70)

Advanced Dimming

(Proprietary VX Driver is incorporated to all dimming options for video flicker-free lighting)

- Standard 1-10V: dims to 10%

Warranty

- 5-year limited warranty

Housing

- Dimensions:
 - 220W/280W: 7.87" (200mm) x 17.68" (449mm) x 11.68" (297mm)
 - 440W/560W: 11.68 (297mm) x 19.35 (491mm) x 16.5" (419mm)
- Material: Die-Cast Aluminum, Tempered Glass
- Weight: 24.25 lbs. (BLT-220/BLT-280) / 48.5 lbs (BLT-440/560)

Mounting

- Bracket
- Uplight Stem 2 ft / 4 ft
- Downlight Stem 2 ft / 4 ft
- Up/Down Stem 2 ft / 4 ft

EPA

- 220W/280W: 1.434 ft²
- 440W/560W: 2.258 ft²
- 220W/280W (Glare Shield Visor): 2.085 ft²
- 440W/560W (Glare Shield Visor): 2.929 ft²

Listing

- UL Damp Location Listed
- DLC Listed
- FCC
- CE



Not all Bolt Series are DLC qualified. For all qualified products. Please visit: www.designlights.org/ql

Bolt - Standard



How to Specify:

Ordering Example: BLT-560-507-UNV-STV-15-BLK-BRK-WG

4-5 weeks lead time on over 75% of specifications.

Model	Wattage	CCT / CRI	Voltage	Dimming
BLT			UNV	
BLT	220 220W	308 3000K / CRI85	UNV 120-277V	STV Standard 1-10V dims to 10%
Bolt Series	280 280W	408 4000K / CRI85	HVT 347-480V	
	440 440W	507 5000K / CRI75		
	560 560W			

Beam Angle	Finish	Mounting	Accessories
30 30°	BLK Black WHT White	BRK Bracket	WG¹ Wire Guard
60 60°		US2¹ Uplight Stem 2 ft	GSB² Glare Shield Baffle
80 80°		US4¹ Uplight Stem 4 ft	GSV³ Glare Shield Visor
WD* 100° (with diffuser)		DS2¹ Downlight Stem 2 ft	DF⁴ Diffuser
		DS4¹ Downlight Stem 4 ft	SLP* Slipfitter (Black only)
		UDS2¹ Up/Down Stem 2 ft	
		UDS4¹ Up/Down Stem 4 ft	
*Please factor in change in lumen output with diffuser -20% with WD.		¹ Only compatible with 440W and 560W	¹ Please factor in change in lumen output of -14%. ² Please factor in change in lumen output of -40%. ³ Please factor in change in lumen output of -25%. ⁴ Please factor in change in lumen output of -20%. *Slipfitter is only compatible with BRK

DesignLights Consortium™ Qualified Luminaires:

DLC QPL Model Number: BLT-560-50K, BLT-280-CCT-UNV

Not all product variations listed on this page are DLC qualified.

To ensure that a specific model is qualified, visit www.designlights.org/search.

Bolt - Standard

Delivered Lumens

Wattage	220W	280W	440W	560W
CCT	Beam Angle: 60°			
5000K	29700 lm	36400 lm	53000 lm	68340 lm
4000K	26730 lm	32760 lm	47700 lm	61500 lm
3000K	25245 lm	30940 lm	45050 lm	58090 lm

* Tolerance \pm 8%

Current Consumption

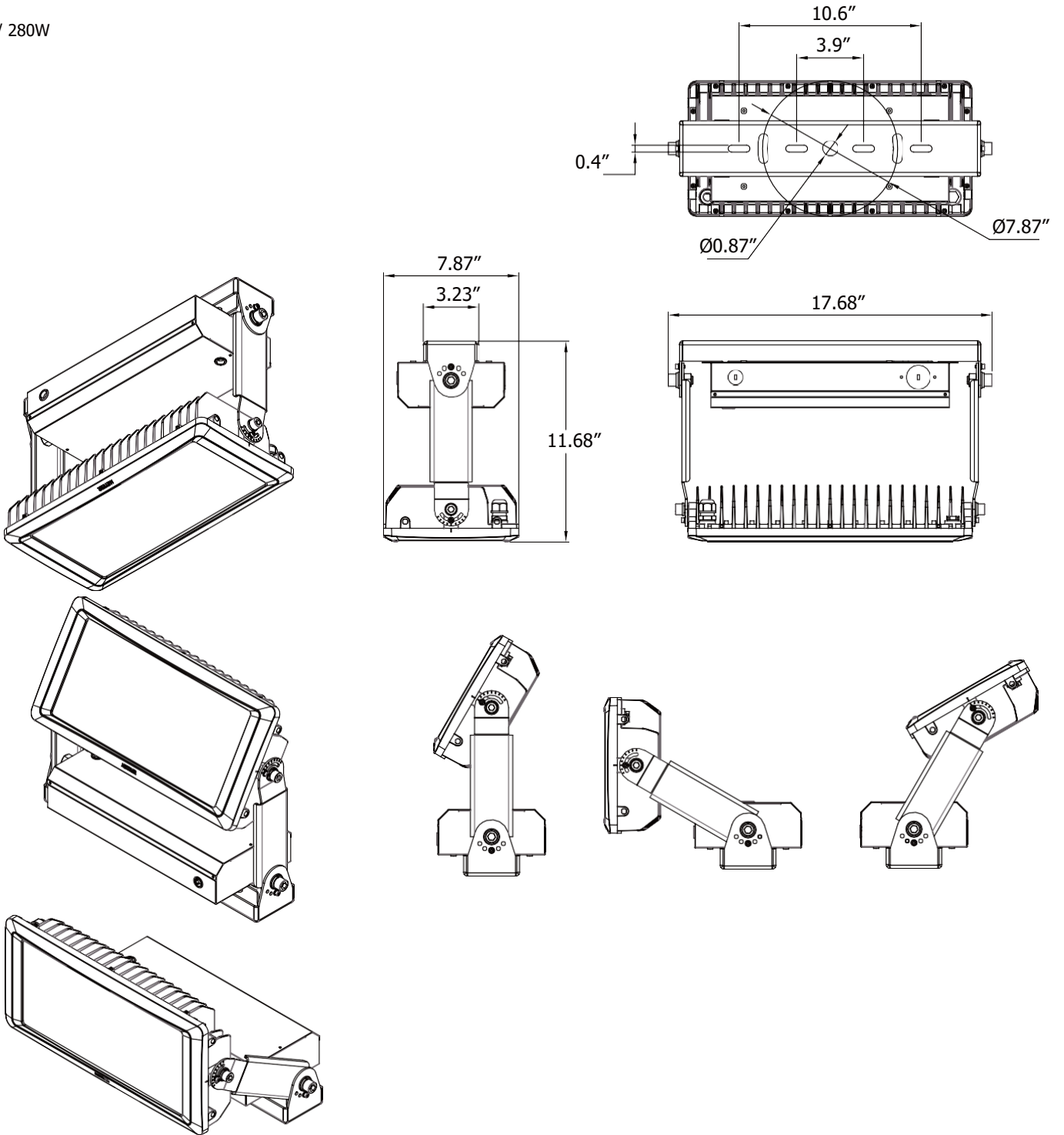
Wattage	Volt	
	120V	277V
220W	2.02A	0.87A
280W	2.57A	1.11A
440W	4.03A	1.75A
560W	5.13A	2.22A

Bolt - Standard



Dimensions

220W / 280W

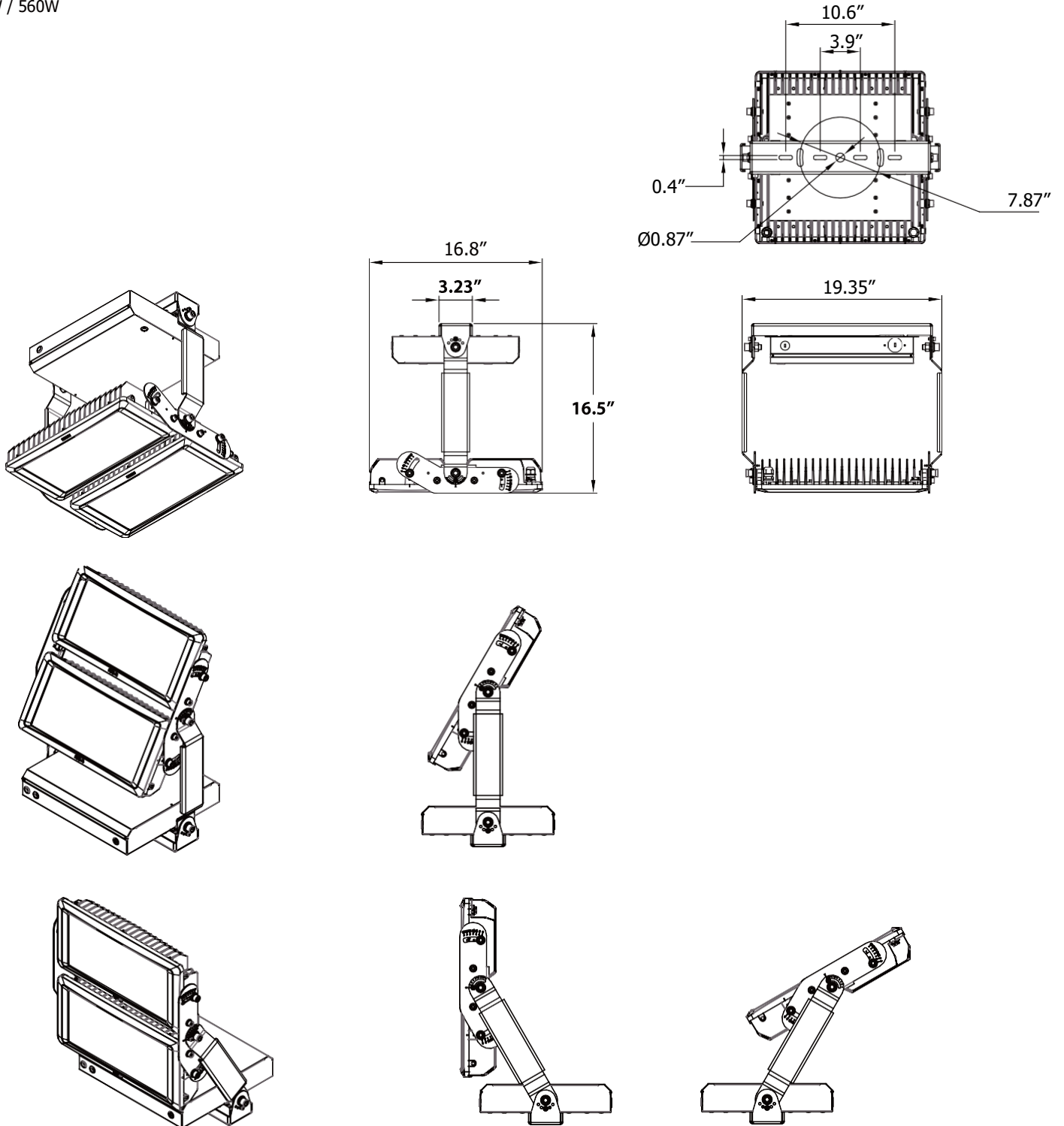


Bolt - Standard



Dimensions

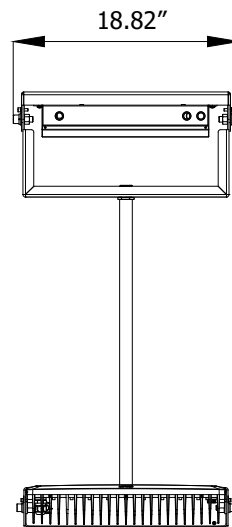
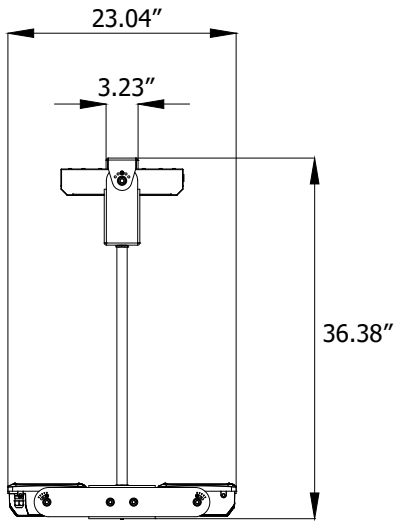
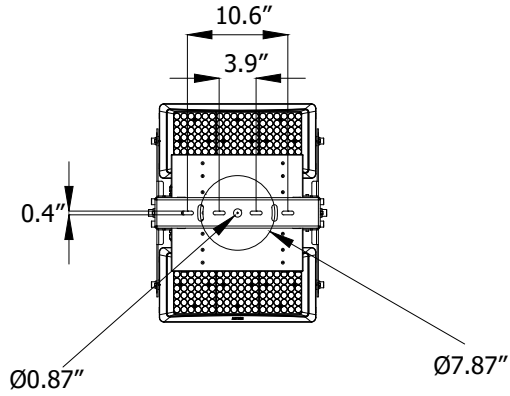
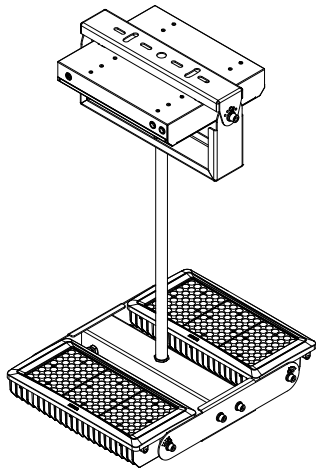
440W / 560W



Bolt - Standard

Dimensions

Uplight Only & Downlight Only Stem - 2 ft / 4 ft

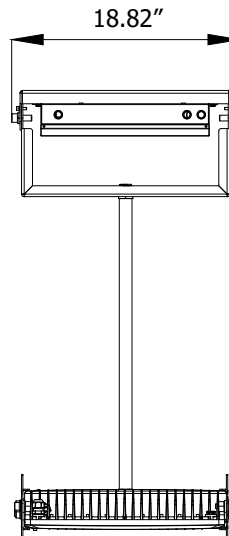
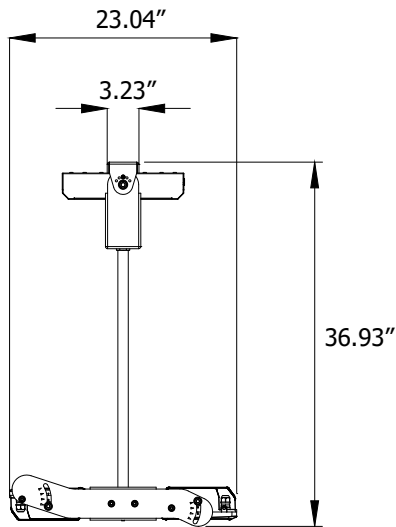
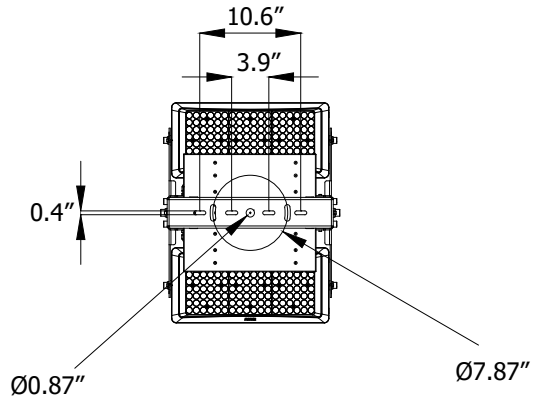
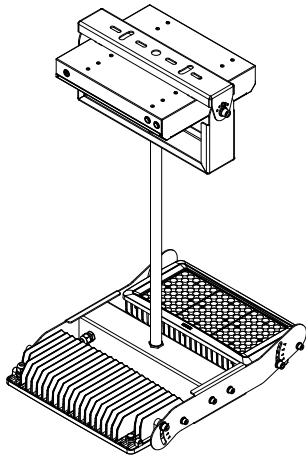


Bolt - Standard



Dimensions

Up/Down Stem - 2 ft / 4 ft

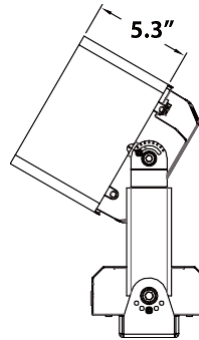


Bolt - Standard

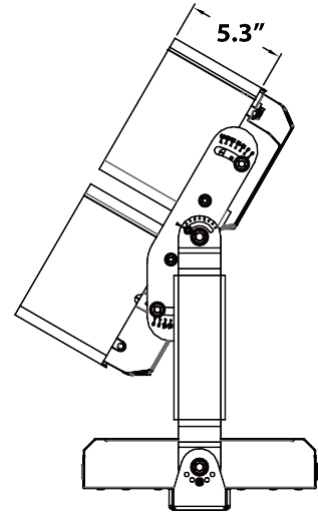


Accessory

Glare Shield Baffle

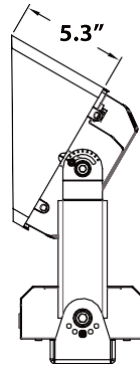


220W/280W

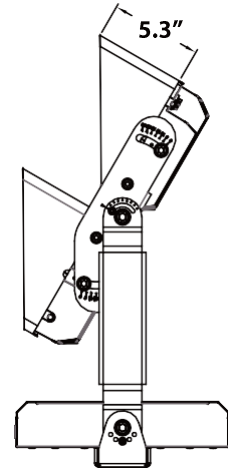


440W/560W

Glare Shield Visor

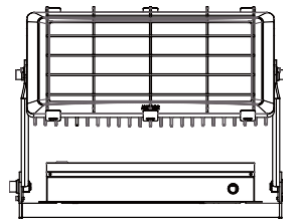


220W/280W

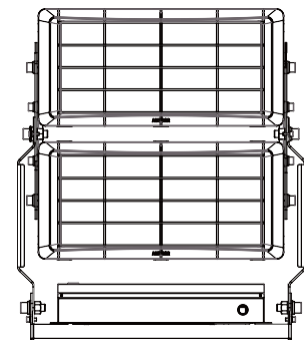


440W/560W

Wire Guard



220W/280W



440W/560W

Bolt - Standard



Slipfitter

