

Bolt Mini - Outdoor



The all new Bolt Mini. A transformation for greater heights with new technologies, performance and optics. This mini version is compact, yet boasts a lumen package range of 7,450 lm – 28,275 lm, and is available in Outdoor and Natatorium rated options. The Bolt Mini – Outdoor version is perfect for a variety of project applications such as illuminating outdoor facades, natatoriums and for flood lighting.

Quantity		Type	
Project		Note	

Electrical System

- 7,780 lm (60W)
- 11,850 lm (100W)
- 21,330 lm (150W)
- 26,295 lm (200W)
- Power Input: Universal (120-277V)
- Operating Temperature: -40°F~104°F
- Surge Protection: 4 KV

LED Technology

- 3000K, 4000K, 5000K
- 85 CRI, 75 CRI
- Beam Angle: 30°, 60° and 100° (with diffuser)
- Rated Life > 100,000 Hours (L70)

Advanced Dimming

- (Proprietary VX Driver is incorporated to all dimming options for video flicker-free lighting)
- Standard 1-10V: dims to 10%

Mounting

- Bracket

EPA

- 60W/100W: 0.692 ft²
- 150W/200W: 0.719 ft²
- 60W/100W (Glare Shield Visor): 0.96 ft²
- 150W/200W (Glare Shield Visor): 0.999 ft²

Housing

- Dimensions:
 - 60W: 4.14" (105mm) x 11" (279mm) x 9.06" (230mm)
 - 100W: 4.14" (105mm) x 11" (279mm) x 9.06" (230mm)
 - 150W: 8.26" (210mm) x 11.41" (290mm) x 9.05" (230mm)
 - 200W: 8.26" (210mm) x 11.41" (290mm) x 9.05" (230mm)
- Material: Die-Cast Aluminum, Tempered Glass
- Weight: 9.7 lbs (BLT-60/100) / 14.6 lbs (BLT-150/200)

Warranty

- 5-year limited warranty

Listing

- UL Wet Location Listed
- IP 65
- DLC Listed
- FCC
- CE



Not all Bolt Series are DLC qualified. For all qualified products. Please visit: www.designlights.org/qlp

Bolt Mini - Outdoor



How to Specify:

Ordering Example: BLTM-200-507-UNV-STV-15-BLK-BRK-WG

4-5 weeks lead time on over 75% of specifications.

Model	Wattage	CCT / CRI	Voltage	Dimming
BLTM			UNV	
BLTM	60 60W	308 3000K / CRI85	UNV 120-277V	STV Standard 1-10V dims to 10%
Bolt Mini Series	100 100W	408 4000K / CRI85		
	150 150W	507 5000K / CRI75		
	200 200W			

Beam Angle	Finish	Mounting	Accessories	Rating
30 30°	BLK Black	BRK Bracket	WG ¹ Wire Guard	OUT ¹ Outdoor Rating
60 60°	WHT White		GSB ² Glare Shield Baffle	NAT ^{2,3} Natatorium Rating
WD* 100° (with diffuser)			GSV ³ Glare Shield Visor	
			DF ⁴ Diffuser	
			SLP Slipfitter (Black only)	
*Please factor in change in lumen output with diffuser -20% with WD.			¹ Please factor in change in lumen output of -14%. ² Please factor in change in lumen output of -40%. ³ Please factor in change in lumen output of -25%. ⁴ Please factor in change in lumen output of -20% with DF.	
			¹ Outdoor rating: Coating and wiring will be changed to high UV resistant and corrosion resistant materials for long term operation in outdoor environments. ² Natatorium rating: Coating and sealant will be changed to high corrosion resistant materials to prevent damage from long term exposure to chlorine vapors. ³ Natatorium specifications are only compatible with WD optics	

DesignLights Consortium™ Qualified Luminaires:

DLC QPL Model Number: BLT-560-50K, BLT-150-CCT-UNV, BLT-220-CCT-UNV, BLT-280-CCT-UNV

Not all product variations listed on this page are DLC qualified.

To ensure that a specific model is qualified, visit www.designlights.org/search.

Bolt Mini - Outdoor



Delivered Lumens*

Wattage	60W	100W	150W	200W
CCT	Beam Angle: 60°			
5000K	7780	11850	21330	26295
4000K	7170	10990	19125	23990
3000K	6930	10535	18355	22950

* Tolerance \pm 8%

Current Consumption

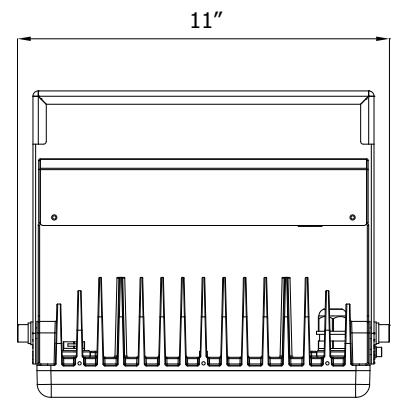
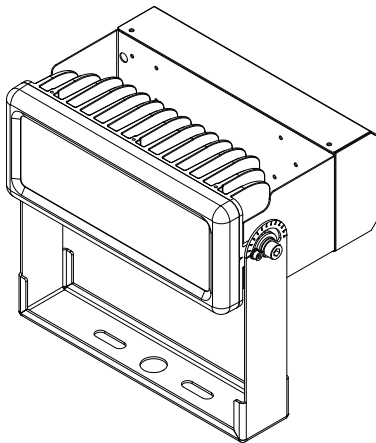
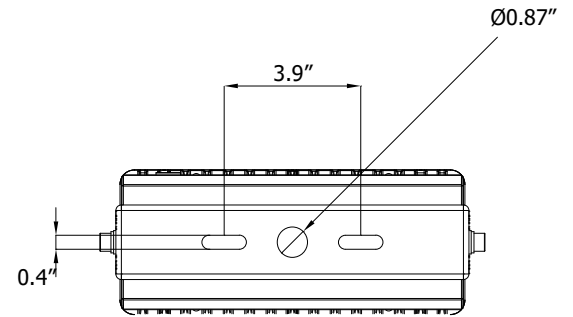
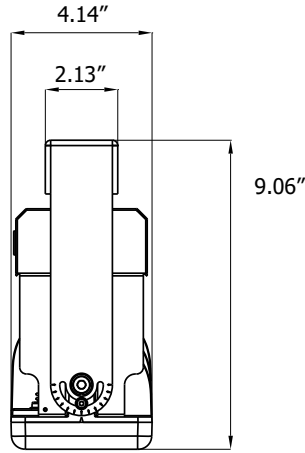
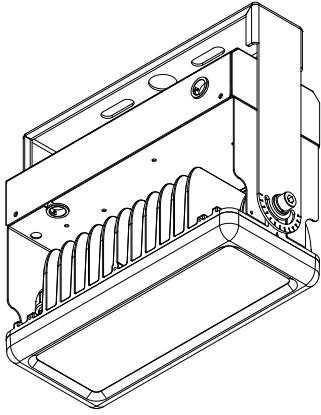
Wattage	120V	277V
60W	0.55A	0.22A
100W	0.92A	0.40A
150W	1.38A	0.60A
200W	1.83A	0.80A

Bolt Mini - Outdoor



Dimensions

60W / 100W

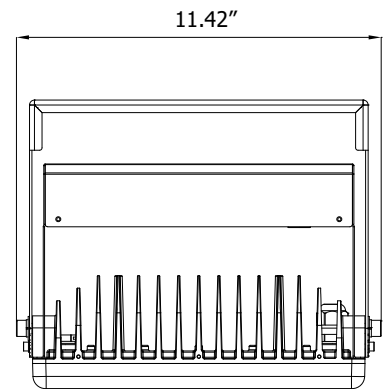
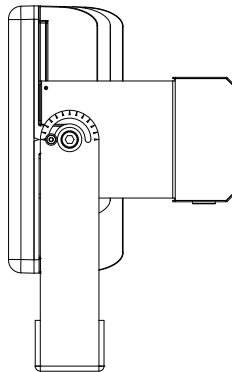
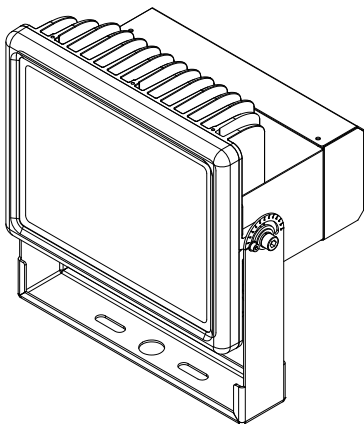
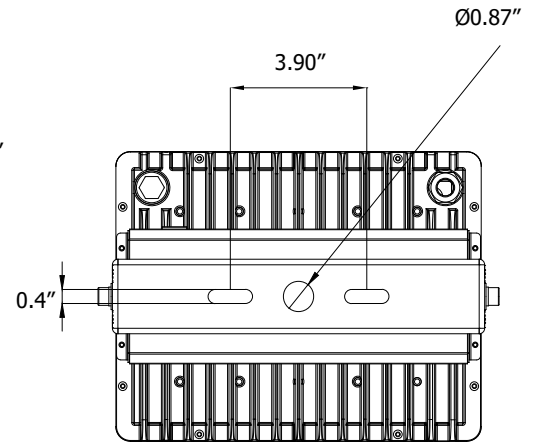
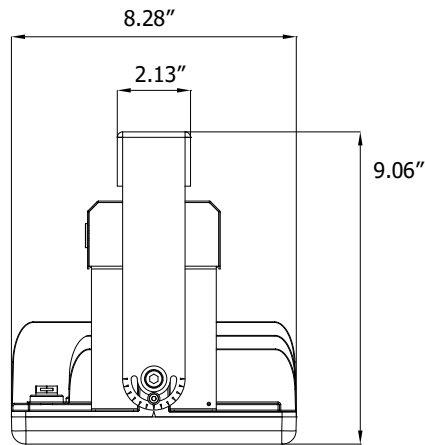
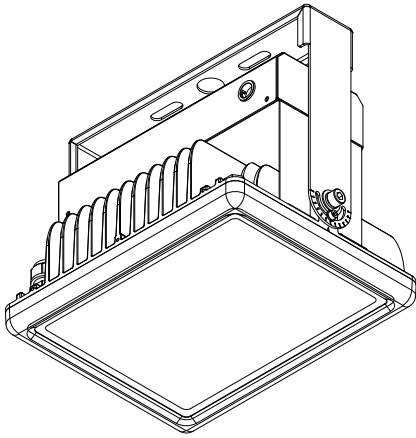


Bolt Mini - Outdoor



Dimensions

150W / 200W



Bolt Mini - Outdoor

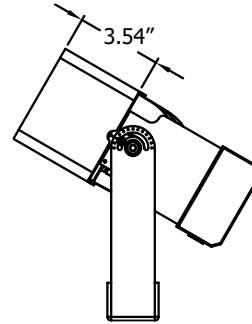
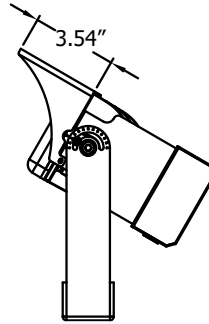


Accessory

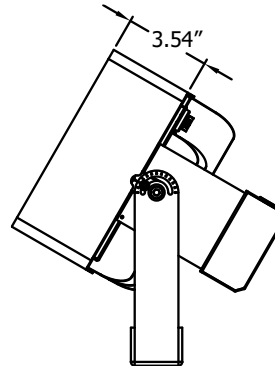
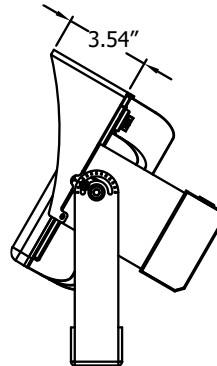
60W / 100W

150W / 200W

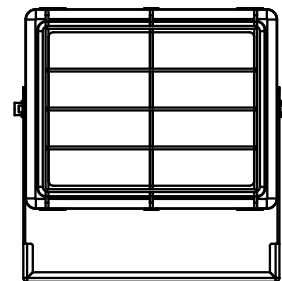
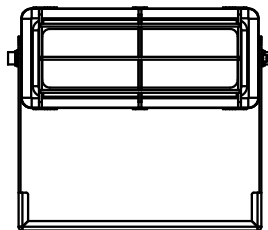
Glare Shield Baffle



Glare Shield Visor



Wire Guard



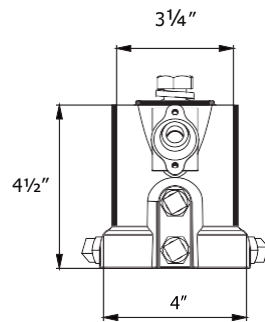
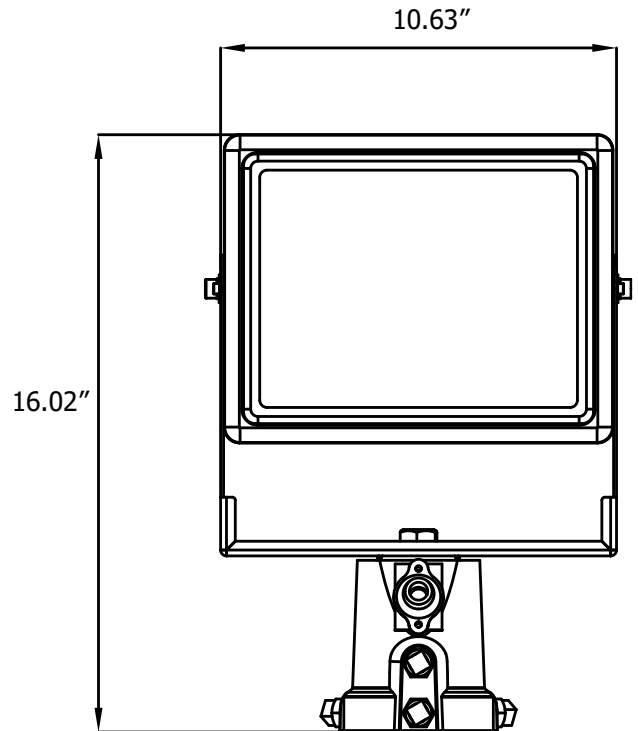
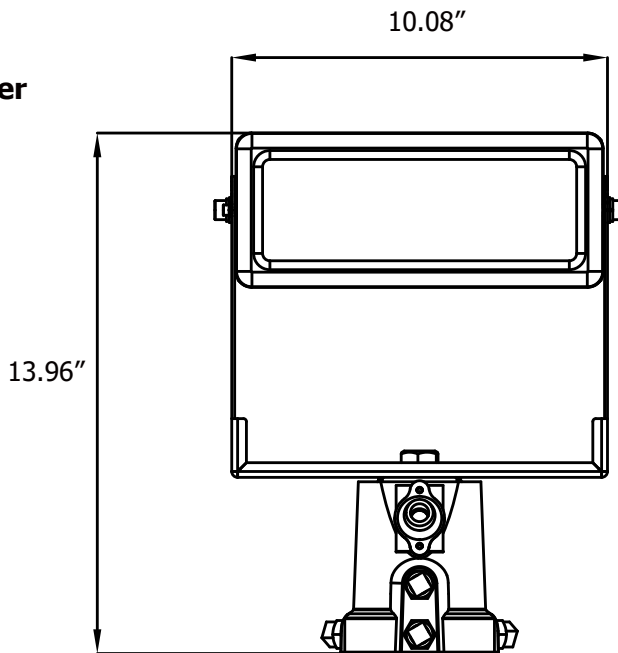
Bolt Mini - Outdoor



60W / 100W

150W / 200W

Slipfitter



Tenon Slipfitter fits 2-3/8" to 2-7/8" OD tenon.

