

ADVANCED HIGH CEILING

Tetriss 2.0 - W+RGB



High-performing fixture that can be configured with any combination of white and RGB modules.



Quantity	Type
Project	Note

Electrical System

- 15330 lm (200W)
- 30660 lm (400W)
- 45990 lm (600W)
- Power Input: Universal (120-277V); HVT (347-480V)
- Operating Temperature: -40°F~112°F
- Surge Protection: 10KV
- Remote Emergency Pack: Bodine BSL20MV

LED Technology

- 3000K, 4000K, 5000K
- 75 CRI, 85 CRI
- Beam Angle: 25°, 40°, 60°
- Rated Life > 60,000 hours (L70)

Advanced Dimming

- DMX: high resolution dims to 0.1% (Supports ANSI E1.20 RDM protocol)

Housing

- Material: Aluminum, Tempered Glass
- Weight: 200W / 18 lbs, 400W / 37.48 lbs, 600W / 57.3 lbs

Mounting

- Bracket Mount (AC/Dimming cable length: Standard / 6ft)

EPA

- TSW-200: 1.21 ft² / TSW-400: 2.12 ft² / 600: 2.69 ft²

Warranty

- 5 years limited warranty.

Listing

- ETL Damp Location Listed
- CE



Tetriss 2.0 - W+RGB



How To Specify:

Ordering Example: TSC-400-507-UNV-DMX-25-BLK-BRK

Model	Wattage	CCT / CRI	Voltage	Dimming
TSC			UNV	
TSC Tetriss W+RGB	200 200W 400 400W 600 600W	308 3000K / CRI85 408 4000K / CRI85 507 5000K / CRI75	UNV 120-277V HVT 347-480V	DMX DMX <0.1% (XLR Sockets)

Beam Angle	Finish	Mounting	Accessories
	BLK	BRK	
25 25° 40 40° 60 60°	BLK Black	BRK Bracket Mount	GSB* Glare Shield Baffle GSV* Glare Shield Visor SLP Slipfitter
			*Please factor in change in lumen output of -25%.

Delivered Lumens* (Single White Module)

CCT \ Wattage	70W
5000K	6700 lm
4000K	5900 lm
3000K	5440 lm

*Tolerance±8%

Delivered Lumens* (Single RGB Module)

CCT \ Wattage	50W
RGB	1930 lm

*Tolerance±8%

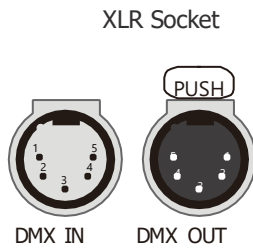
DMX Requirements*

The Tetriss 2.0 fixture with DMX is a FOUR CHANNEL DMX unit.

When placing order, please indicate DMX address. (The DMX address will be listed on the back of the fixture.)

The LED fixture provide XLR socket to connect. (DMX cable NOT included.)

The final fixture should be terminated by the use of DMX Terminator (by others).



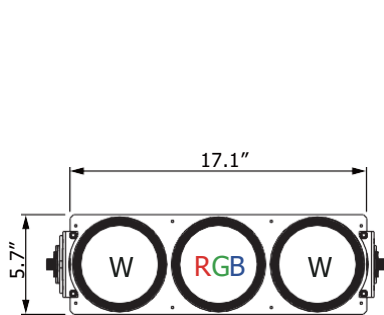
CONNECTION	5-PIN XLR
Common	PIN 1
Signal -	PIN 2
Signal +	PIN 3
Spare	PIN 4
Spare	PIN 5

Compatible DMX Cabling List

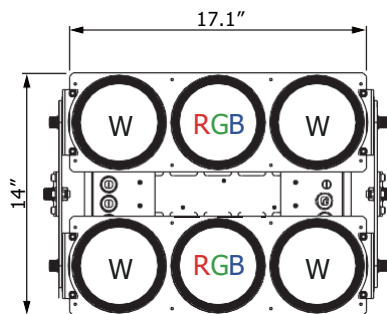
DMX uses a cable consisting of two twisted pairs plus a shield to carry data. The cable must be specifically impedance matched for the digital DMX signal, meaning that microphone cable or other non-rated cable **must not be used to carry DMX**. Network cable (Cat5, 5e or 6 cable) may be used to carry DMX in an installation; however special consideration must be given to shielding and termination. Under no circumstances should solid core cable like Cat5 be terminated into a screw down connector.

Meteor recommends the use of Belden 9729 for DMX installation. Belden 9729 is a two pair cable, which allows for a spare pair for 'out and back' type terminations if needed. Below is a list of other compatible Belden cables.

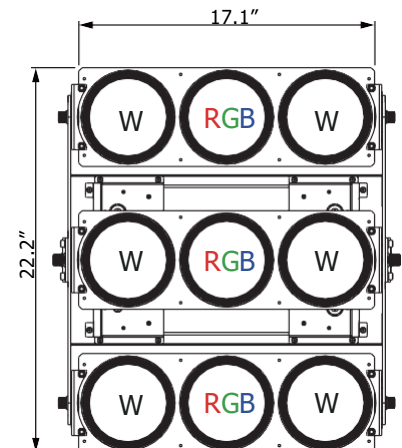
Dimensions



200W / 3 Modules

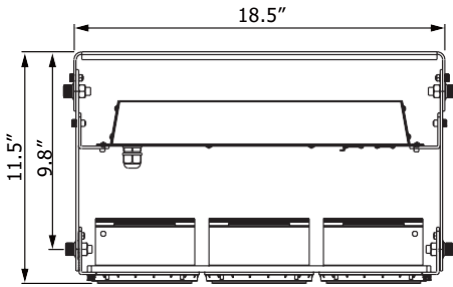


400W / 6 Modules

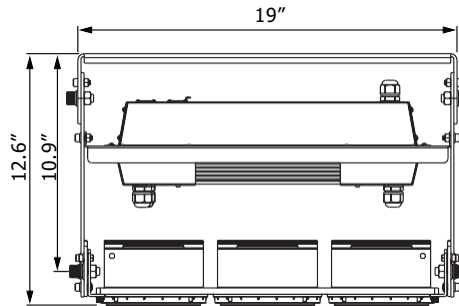


600W / 9 Modules

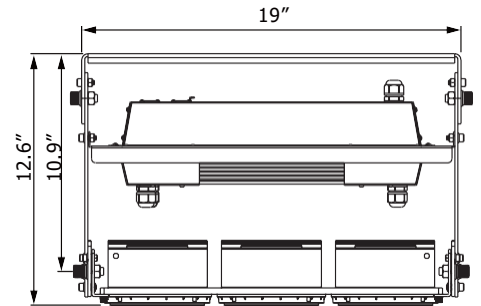
Mounting Options



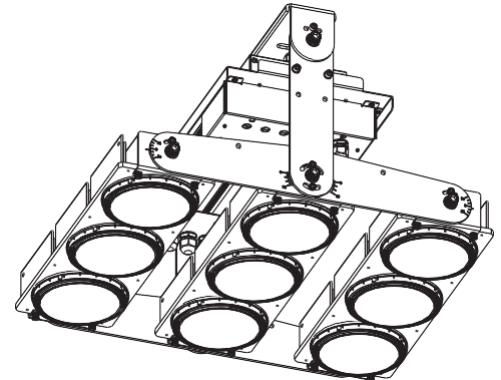
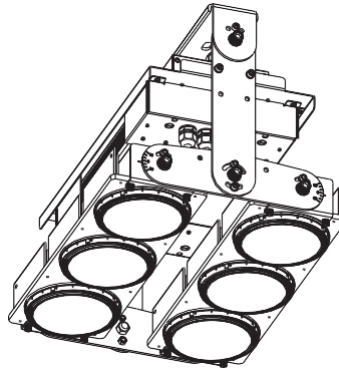
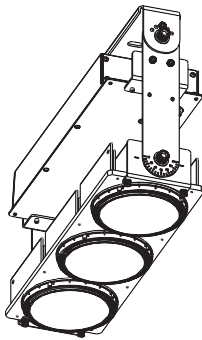
Bracket Mount / 3
Modules



Bracket Mount / 6
Modules



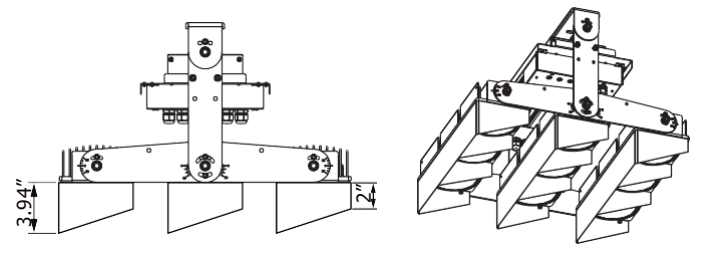
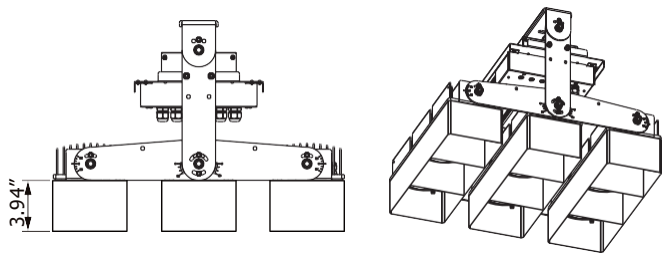
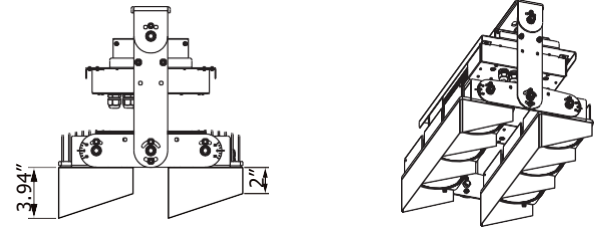
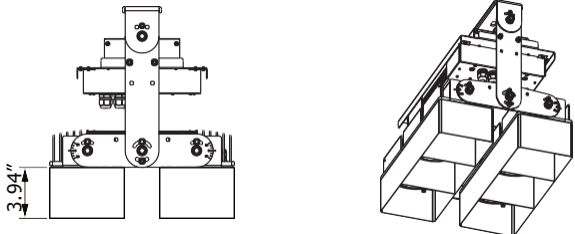
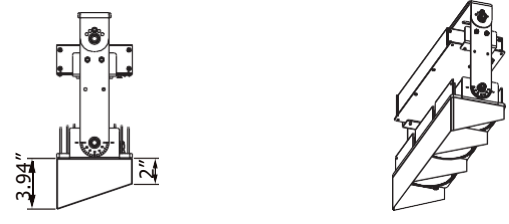
Bracket Mount / 9
Modules



Accessory

Glare Shield Baffle

Glare Shield Visor



DMX Requirements*

The Tetriss 2.0 W+RGB fixture with DMX is a FOUR CHANNELS DMX unit.

When placing order, please indicate DMX address. (The DMX address will be listed on the back of the fixture.) The LED fixture provide XLR socket to connect. (DMX cable NOT included.)

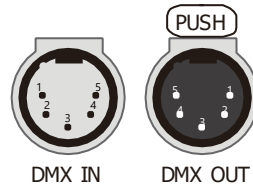
The final fixture should be terminated by the use of DMX Terminator (by others).

Fixture	DMX Address			
	Red Control (ex. X)	Green Control (ex. X+1)	Blue Control (ex. X+2)	White Control (ex. X+3)
#1	1	2	3	4
#2	5	6	7	8
#3	9	10	11	12

The LED fixture provide XLR socket to connect. (DMX cable NOT included.)

The final fixture should be terminated by the use of DMX Terminator (by others).

XLR Sockets



CONNECTION	5-PIN XLR
Common	PIN 1
Signal -	PIN 2
Signal +	PIN 3
Spare	PIN 4
Spare	PIN 5