

LTR-3RA

LITEISTRY 3" ROUND ADJUSTABLE

LITEISTRY™

FEATURES

- 3" architectural LED adjustable accent delivering 600–2000 lm
- Four field interchangeable beam distributions from 15° to 45°
- Translating center beam optic allows 0–35° vertical tilt, 362° horizontal rotation
- Select from three lower trim styles: Angle Cut Cone, Pinhole or Slot
- Accommodates up to two lens media including hexcell louver and linear spread options
- Variety of dimming protocol options including 0-10V, DALI, DMX, Lutron Forward Phase and EcoSystem
- NX Distributed Intelligence™ wired and wireless controls capability available



RELATED PRODUCTS

[Ø 3" LITEISTRY Family](#)

[Ø 4" LITEISTRY Family](#)

[Ø 6" LITEISTRY Family](#)



CONTROL TECHNOLOGY



SPECIFICATIONS

CONSTRUCTION

- Standard Non-IC. Chicago Plenum and IC options
- Painted black enclosed steel platform with tool-less top access and pre-installed bar hangers
- Smooth friction adjustment with 0-35° vertical tilt, 362° horizontal rotation without tools
- Precise hot aiming capability, securely locks with thumbscrews for dependable control

OPTICS

- Translating center beam optic ensures full beam optimization from 0.5" to 1.25" ceiling thickness
- Proprietary twist-and-lock upper reflector with diffusion film provides 15°, 25°, 35° or 45° beam distributions
- Optional accessory lens media including linear spread, and hexcell louver (order separately)
- Upper reflector can accommodate up to two additional lens media up to 0.25" max. thickness
- All reflectors and lens media are field interchangeable for maximum flexibility
- Provides dramatic, crisp highlights without distracting rings or excessive spill light
- Standard angle cut cone: High purity spun aluminum reflector, self-flanged
- Flush mount flange option with mud-in ring available

OPTICS (CONTINUED)

- Large selection of anodized finishes and colors
- Painted cones and flange options available
- Optional pinhole or slot lower trim styles are available (painted finishes only)

ELECTRICAL

- Chip-on-board LED with 2 SDCM
- Multiple CCTs, 80+ or 90+ CRI
- Long LED life: L90 at > 55,000 hours (TM-21)
- Universal voltage 120V–277V driver, 347V optional
- UL Class 2, inherent short circuit and overload protection, RoHS compliant
- Flicker free 0-10V dimming with 1% or <1% performance
- DALI, DMX, and Lutron Forward Phase and EcoSystem options
- NX or Lutron Vive control options available
- Emergency battery pack option available with remote test switch and indicator light
- Refer to additional spec sheets for information on [PowerHUBB™ PoE enabled](#) solutions

INSTALLATION

- Accommodates ceiling thickness up to 1.25"
- Universal adjustable mounting brackets also accept 0.5" EMT conduit or 1.5" or 0.75" lathing channel (by others) or Prescolite accessory bar hangers (B24 or B6)

INSTALLATION (CONTINUED)

- Light Engine serviceable from above or below ceiling. Top access required for driver, Controls, EMR, GTD, or DTS component replacement

CERTIFICATIONS

- cCSAus certified to UL 1598
- Suitable for damp locations
- EMR: Certified under UL 924 standard for emergency lighting and power equipment
- Approved for 8 (4 in/4 out) No. 12AWG conductors rated for 90°C through wiring
- This product qualifies as a "designated country construction material" per FAR 52.225-11 Buy American-Construction. Materials under Trade Agreements effective 6/6/2020. See [Buy American Solutions](#).

WARRANTY

- 5 year warranty
- See [HLI Standard Warranty](#) for additional information

KEY DATA	
Lumen Range	600-2000
Wattage Range	8-25
Efficacy Range (LPW)	40-63*
Reported Life (Hours)	L90 / >55,000
Input Current (mA)	67-208 (120V)

*Based on Specular, 35K, 80 CRI



LTR-3RA

LITEISTRY 3" ROUND ADJUSTABLE

DATE: _____ LOCATION: _____

TYPE: _____ PROJECT: _____

CATALOG #: _____

ORDERING GUIDE

Example: LTR-3RA-H-10L35K8NR-DM1-LTR-3RA-T-SSCG

CATALOG #

HOUSING

LTR-3RA-H		Lumen Output	CCT	CRI	Distribution				
LTR-3RA-H	3" Round Adjustable New Construction Housing	06L	600	27K	2700K	8	80+ CRI	NR	Narrow 15°
		10L	1000	30K	3000K	9	90+ CRI	MD	Medium 25°
		15L	1500	35K	3500K			WD	Wide 35°
		20L	2000	40K	4000K			XW	Extra Wide 45°
				50K	5000K ²				

HOUSING CONTINUED

Driver Options		Control Options		Voltage		Housing Options	
DM1	0-10V Dimming to 1%	NXE	NX Enabled, Dual SmartPorts ⁴	Standard		CP	Chicago Plenum ^{1,9}
DM01	0-10V Dimming to <1% ¹³	NXWE	NX Wireless Enabled ⁴	120-277V		IC	IC rated ^{1,10}
DMX	DMX with RDM dimming to <0.1% ³	NXWD	NX Wireless Enabled, Dual SmartPorts ⁴	34	347V ⁸	EMR	Emergency Battery Pack with remote test switch and indicator light ¹
DALI	DALI Dimming to 1%	LV	Lutron Vive Enabled, 0-10V (requires DM1 driver)			GTD	Generator Transfer Device ¹
2DM	Lutron Hi-Lume 2-wire Dimming to 1% (120V Forward Phase only) ³	LVE	Lutron Vive Enabled, EcoSystem, (requires EDM)			DTS	Device Transfer Switch with Bypass Dimming ^{1,14}
EDM	Lutron Hi-Lume EcoSystem Dimming to 1% ³					F	Fuse ¹

TRIM

LTR-3RA-T		Lower Trim Style	Reflector Finish	Reflector Color	Flange Color Options	Reflector Options	
LTR-3RA-T	3" Round Adjustable Light Engine/Trim Assembly	Standard Angle Cut Cone		Finish not applicable with painted reflectors (WC or BC)		Standard Clear	
		PH	Pinhole ¹¹	S	Specular	CG	Champagne Gold
		SLT	Slot ¹¹	SS	Semi-Specular	BL	Black
			MFC	American Matte™	LW	Light Wheat	
			VS	Softglow®	PW	Pewter	
			VSS	SoftSheen™	WC	Painted White Cone and Flange	
					BC	Painted Black Cone and Flange	
					WT	White Flange ⁵	
					BT	Black Flange ⁵	

Notes:

- Housing options (except Fuse) not available in combination.
- 5000K available in 80+ CRI only.
- 2DM, EDM, DMX available in 10L-20L.
- NX requires DM1 driver option.
- WT not needed for WC, BT not needed for BC.
- AM available with WC or Specular Clear (S or SWT). Consult factory for other colors.
- Flush Mount Flange (FM) requires FMR accessory (sold separately).
- 347V requires DM1 driver option; not available in 06L or with Controls F, DTS, GTD, EMR.
- CP available up to 15L; not available with DMX, Controls, or EMR options.
- IC available up to 15L; not available with Controls options.
- Pinhole and Slot available only in WC or BC painted colors.
- Lens holder supplied with fixture accommodates up to 2 media (0.25" max. total thickness).
- DM01 available up to 15L.
- DTS available with DM1, DM01, DALI, or EDM; not available with LVE.

Accessories

- B24** Set of two (2) 24" bar hangers for T-bar ceilings
- B6** Set of two bar hangers for ceiling joist up to 24" centers
- FMR3-R** Flush Mount Mud-In Ring, 3" Round
- LiteGear** LiteGear® Inverter, 125VA-250VA
- LPS Series** LightPower Micro-Inverter, 20VA-55VA
- MOR3-R-WH** Metal Oversized Ring, 3" Round, White (6.75" outside diameter)
- MOR3-R-BL** Metal Oversized Ring, 3" Round, Black (6.75" outside diameter)

Lens/Media Accessories

- LL3** Linear Spread Lens for 3" ¹²
- PL3** Prismatic Lens for 3" ¹²
- SOL3** Solite Lens for 3" ¹²
- HL3** Hexcell Louver Black for 3" ¹²

LTR-3RA

LITEISTRY 3" ROUND ADJUSTABLE

DATE: _____ LOCATION: _____

TYPE: _____ PROJECT: _____

CATALOG #: _____

CONTROLS

NX Distributed Intelligence™ Lighting Controls:

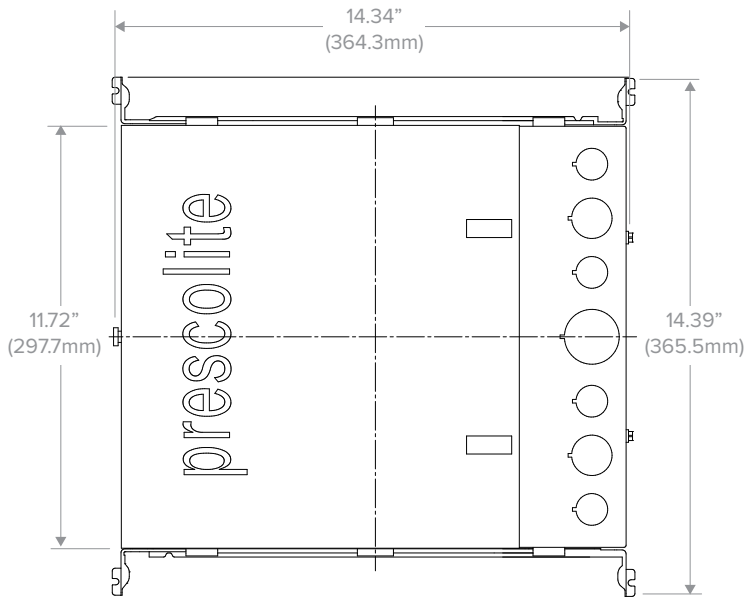
Supports applications in a variety of deployment options- wired, wireless, hybrid. Integrates with and enables a wide array of luminaires including those with SpectraSync™ Color Tuning Technology.



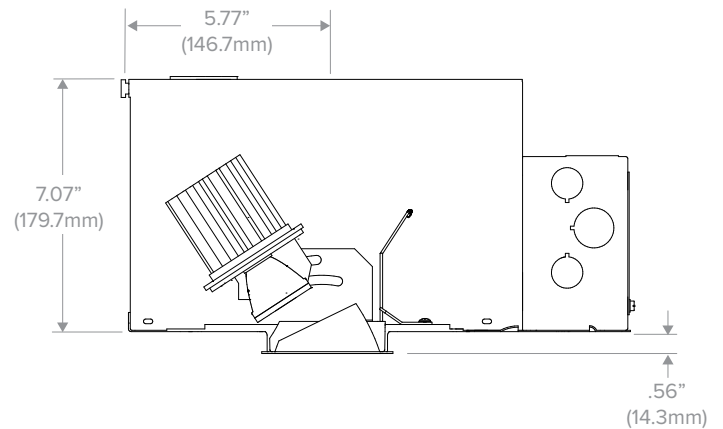
NX INTEGRATED CONTROLS REFERENCE								
NX Option	Sensor	Networkable	Scheduling	Occupancy	Daylight Harvesting	0-10V Dimming	On/off Control	Bluetooth® App Programming
NX Networked – Wired								
NXE	N/A	Yes	Yes	No	No	Yes	Yes	Requires NXBTC/R ¹
NX Networked – Wireless								
NXWE ²	N/A	Yes	Yes	No	No	Yes	Yes	No ³
NX Networked – Wired/Wireless								
NXWD	N/A	Yes	Yes	No	No	Yes	Yes	Requires NXBTC/R ^{1,3}

- 1 NXBTC/R needs to be plugged into an available NX SmartPort™ on the fixture network
- 2 Programming via App requires factory assistance
- 3 To program NXWE option, need to consult factory. If connected to an area controller, programming can be done from that

DIMENSIONS



Top View



Dimensional Data		
Aperture		2.88" (73.2mm)
Flange	Standard	3.68" (93.5mm)
	Flush Mount	3.68" (93.5mm)
Ceiling Cutout	Standard	3.38" (85.9mm)
	Flush Mount	4.00" (101.6mm)
Ceiling Thickness		0.5" to 1.25" (12.7mm to 31.8mm)

LTR-3RA

LITEISTRY 3" ROUND ADJUSTABLE

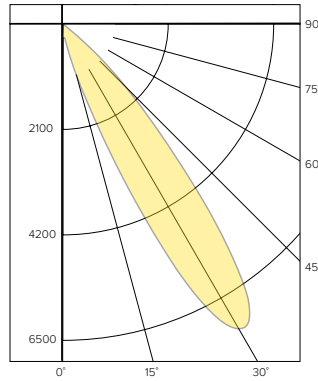
PHOTOMETRY

LTR-3RA-H-20L35K8NR-DM1 / LTR-3RA-T-S

LUMINAIRE DATA

Test No.	19.00778
Description	2000 lm, Narrow, 3500K, 80 CRI
Delivered Lumens	1498
Watts	23.9W
Efficacy	62.7
Mounting	Recessed
Beam Angle (FWHM)	19

POLAR GRAPH



CANDELA DISTRIBUTION

Degree	Candela
0	398
5	397
15	1526
25	7773
35	8900
45	2533
55	79
65	13
75	3
85	0
90	0

LUMINANCE DATA*

Vertical Angle	Average
45°	996
55°	818
65°	555
75°	0
85°	0

*Candela/Square Meter

ZONAL LUMEN SUMMARY

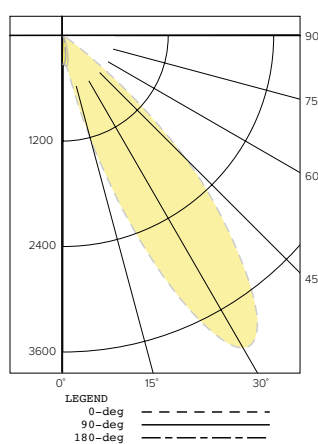
Zone	Lumens	% Luminaire
0-40	1240	82.8
0-60	1494	99.7
0-90	1498	100.0
0-180	1498	100.0

LTR-3RA-H-20L35K8MD-DM1 / LTR-3RA-T-S

LUMINAIRE DATA

Test No.	19.00779
Description	2000 lm, Medium, 3500K, 80 CRI
Delivered Lumens	1346
Watts	23.9W
Efficacy	56.4
Mounting	Recessed
Beam Angle (FWHM)	27

POLAR GRAPH



CANDELA DISTRIBUTION

Degree	Candela
0	435
5	459
15	1640
25	4628
35	5119
45	2630
55	204
65	14
75	3
85	0
90	0

LUMINANCE DATA*

Vertical Angle	Average
45°	996
55°	818
65°	555
75°	907
85°	0

*Candela/Square Meter

ZONAL LUMEN SUMMARY

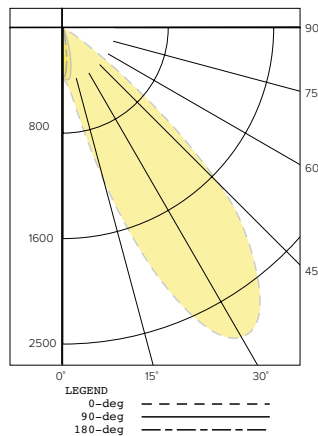
Zone	Lumens	% Luminaire
0-40	1043	77.5
0-60	1341	99.7
0-90	1346	100.0
0-180	1346	100.0

LTR-3RA-H-20L35K8WD-DM1 / LTR-3RA-T-S

LUMINAIRE DATA

Test No.	19.00780
Description	2000 lm, Wide, 3500K, 80 CRI
Delivered Lumens	1262
Watts	23.9W
Efficacy	52.9
Mounting	Recessed
Beam Angle (FWHM)	32

POLAR GRAPH



CANDELA DISTRIBUTION

Degree	Candela
0	529
5	603
15	1620
25	3388
35	3591
45	2320
55	328
65	17
75	2
85	0
90	0

LUMINANCE DATA*

Vertical Angle	Average
45°	1327
55°	818
65°	555
75°	907
85°	0

*Candela/Square Meter

ZONAL LUMEN SUMMARY

Zone	Lumens	% Luminaire
0-40	950	75.3
0-60	1256	99.5
0-90	1262	100.0
0-180	1262	100.0

LTR-3RA

LITEISTRY 3" ROUND ADJUSTABLE

DATE: _____ LOCATION: _____

TYPE: _____ PROJECT: _____

CATALOG #: _____

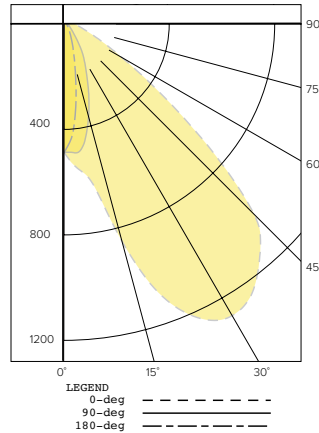
PHOTOMETRY CONTINUED

LTR-3RA-H-20L35K8XW-DM1 / LTR-3RA-T-S

LUMINAIRE DATA

Test No.	19.00781
Description	2000 lm, Extra Wide, 3500K, 80 CRI
Delivered Lumens	960
Watts	24.0W
Efficacy	40.0
Mounting	Recessed
Beam Angle (FWHM)	43

POLAR GRAPH



CANDELA DISTRIBUTION

Degree	Candela
0	633
5	710
15	1120
25	1572
35	1565
45	1229
55	393
65	36
75	2
85	0
90	0

LUMINANCE DATA*

Vertical Angle	Average
45°	1659
55°	1227
65°	1111
75°	907
85°	0

*Candela/Square Meter

ZONAL LUMEN SUMMARY

Zone	Lumens	% Luminaire
0-40	700	72.9
0-60	950	99.0
0-90	960	100.0
0-180	960	100.0

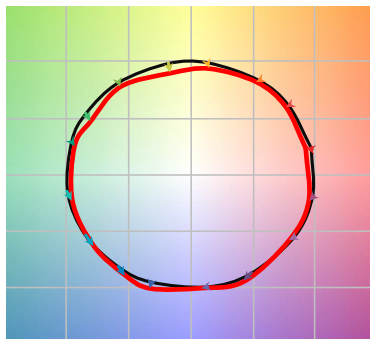
LUMEN MULTIPLIER

Option	27K8	30K8	35K8	40K8	50K8	27K9	30K9	35K9	40K9
Multiplier	0.94	0.98	1.00	1.01	1.02	0.81	0.84	0.85	0.85

Photometrics are published below at a nominal 3500 Kelvin, 80+ CRI. This table may be used to approximate the lumen values at different Kelvin temperatures. Power consumption would stay the same.

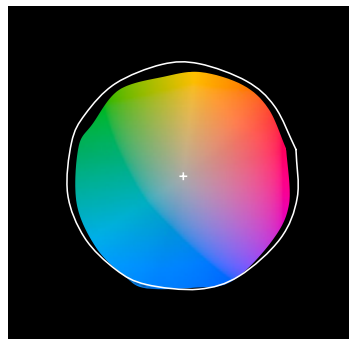
TM-30 DATA

COLOR VECTOR GRAPHIC 3500K, 90 CRI



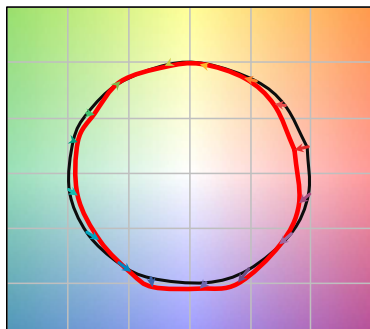
— Reference Illuminant — Test Source

COLOR DISTORTION GRAPHIC 3500K, 90 CRI



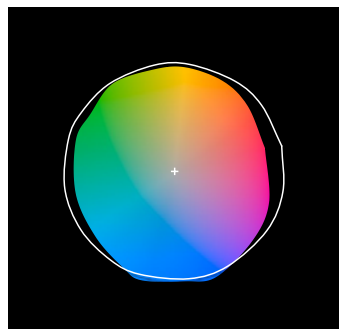
TEST RESULTS - 3500K		
Value	80+ CRI	90+ CRI
R _i	84	88
R _g	95	95
CCT (K)	3411	3419
D _{uv}	0.0015	0.0042
x	0.4120	0.4147
y	0.3974	0.4052
CIE R _a	84	93
CIE R _g	11	62

COLOR VECTOR GRAPHIC 3500K, 80 CRI



— Reference Illuminant — Test Source

COLOR DISTORTION GRAPHIC 3500K, 80 CRI





LTR-3RA

LITEISTRY 3" ROUND ADJUSTABLE

DATE: _____ LOCATION: _____

TYPE: _____ PROJECT: _____

CATALOG #: _____

ELECTRICAL DATA

DRIVER DATA		
Input Voltage	120-277 V	347 V
Input Frequency	50/60 Hz	50/60 Hz
Power Factor	≥0.90	≥0.90
THD	<20%	<20%
EMI Filtering (FCC 47 CFR Part 15)	Class A	Class A

* Values for DM1 option shown, values for other dimming options may vary.

WATTAGE DATA		
Lumen Output	Nominal Lumens	Wattage
06L	600	8
10L	1000	12
15L	1500	19
20L	2000	25

* Wattage may vary based on configuration and options selected

ADDITIONAL INFORMATION

DIMMING COMPATIBILITY CHART		
Dimming Driver	Manufacturer	Web Link
DM1 /DM01	Lutron DDTV	http://bit.ly/11jSvZg
DM1	Leviton AWRMG-7xx, AWSMG-7xx, AWSMT-7xx	http://bit.ly/1BjN2R9
EDM	Lutron	http://bit.ly/1vtjHAI
2DM	Lutron	http://bit.ly/1S4WjXK

DMX

See instruction sheet on www.prescolite.com for connection & installation information.

Central Inverters

For full fixture output in back-up mode, we recommend you visit www.dual-lite.com for your Central Lighting Inverter options. Please contact your local Hubbell representative for any assistance with proper sizing and loading of your inverter selection. Central lighting inverters must be ordered separately.

LiteGear: www.dual-lite.com/products/litegear_lg_series

LPS Series: www.dual-lite.com/products/lps