

# LTR-3RAPH

LITEISTRY 3" ROUND ADJUSTABLE WITH POWERHUBB™

## LITEISTRY™

### FEATURES

- 3" architectural LED adjustable accent delivering 600–2000 lm
- Four field interchangeable beam distributions from 15° to 45°
- Translating center beam optic allows 0–35° vertical tilt, 362° horizontal rotation
- Select from three lower trim styles: Angle Cut Cone, Pinhole or Slot
- Accommodates up to two lens media including hexcell louver and linear spread options
- PowerHUBB™ enables low-voltage wired connectivity for Power over Ethernet (PoE) network system deployment



### RELATED PRODUCTS

[Ø 3" LITEISTRY Family](#)

[Ø 4" LITEISTRY Family](#)

[Ø 6" LITEISTRY Family](#)



### CONTROL TECHNOLOGY



### SPECIFICATIONS

#### CONSTRUCTION

- Standard Non-IC or optional IC.
- Painted black enclosed steel platform with tool-less top access and pre-installed bar hangers
- Smooth friction adjustment with 0–35° vertical tilt, 362° horizontal rotation without tools
- Precise hot aiming capability, securely locks with thumbscrews for dependable control

#### OPTICS

- Translating center beam optic ensures full beam optimization from 0.5" to 1.25" ceiling thickness
- Proprietary twist-and-lock upper reflector with diffusion film provides 15°, 25°, 35° or 45° beam distributions
- Optional accessory lens media including linear spread, and hexcell louver (order separately)
- Upper reflector can accommodate up to two additional lens media up to 0.25" max. thickness
- All reflectors and lens media are field interchangeable for maximum flexibility
- Provides dramatic, crisp highlights without distracting rings or excessive spill light

#### OPTICS CONTINUED

- Standard angle cut cone: High purity spun aluminum reflector, self-flanged
- Flush mount flange option with mud-in ring available
- Large selection of anodized finishes and colors
- Painted cones and flange options available
- Optional pinhole or slot lower trim styles are available (painted finishes only)

#### ELECTRICAL

- Chip-on-board LED with 2 SDCM
- Multiple CCTs, 80+ or 90+ CRI
- Long LED life: L90 at > 55,000 hours (TM-21)
- PowerHUBB™ enables low-voltage wired connectivity for Power over Ethernet (PoE) network system deployment
- EMI Filtering (FCC 47 CFR Part 15) Class A

#### INSTALLATION

- Accommodates ceiling thickness up to 1.25"
- Universal adjustable mounting brackets also accept 0.5" EMT conduit or 1.5" or 0.75" lathing channel (by others) or Prescolite accessory bar hangers (B24 or B6)
- Light Engine serviceable from above or below ceiling. Top access required for PowerHUBB node replacement

#### CERTIFICATIONS

- cCSAus certified to UL 2108
- Suitable for damp locations
- This product qualifies as a "designated country construction material" per FAR 52.225-11 Buy American-Construction. Materials under Trade Agreements effective 6/6/2020. See [Buy American Solutions](#).

#### WARRANTY

- 5 year warranty
- See [HLI Standard Warranty](#) for additional information

KEY DATA	
Lumen Range	600-2000
Wattage Range	8-25
Efficacy Range (LPW)	40-63*
Reported Life (Hours)	L90 / >55,000
Input Current (mA)	N/A

\*Based on Specular, 35K, 80 CRI



# LTR-3RAPH

LITEISTRY 3" ROUND ADJUSTABLE WITH POWERHUBB™

DATE: \_\_\_\_\_ LOCATION: \_\_\_\_\_

TYPE: \_\_\_\_\_ PROJECT: \_\_\_\_\_

CATALOG #: \_\_\_\_\_

## ORDERING GUIDE

Example: LTR-3RAPH-H-10L35K8NR-PMC-LTR-3RA-T-SSCG

CATALOG #

### HOUSING

LTR-3RAPH-H		Lumen Output		CCT		CRI		Distribution	
Aperture/Shape/Function									
LTR-3RAPH-H	3" Round Adjustable New Construction Housing	06L	600	27K	2700K	8	80+ CRI	NR	Narrow 15°
		10L	1000	30K	3000K	9	90+ CRI	MD	Medium 25°
		15L	1500	35K	3500K			WD	Wide 35°
		20L	2000	40K	4000K			XW	Extra Wide 45°
				50K	5000K <sup>1</sup>				

### HOUSING CONTINUED

PowerHUBB Node	Housing Options
PM PowerHUBB™, On/Off/1% Dim, Master	IC IC rated <sup>5</sup>
PMC PowerHUBB™, On/Off/1% Dim, Control Inputs, Master	
PS PowerHUBB™, On/Off/1% Dim, Satellite	
PSC PowerHUBB™, On/Off/1% Dim, Control Inputs, Satellite	

### TRIM

LTR-3RA-T		Lower Trim Style	Reflector Finish	Reflector Color	Flange Color Options	Reflector Options
LTR-3RA-T	3" Round Adjustable Trim Assembly	Standard Angle Cut Cone PH Pinhole <sup>6</sup> SLT Slot <sup>6</sup>	Finish not applicable with painted reflectors (WC or BC) S Specular SS Semi-Specular MFC American Matte™ VS Softglow® VSS SoftSheen™	Standard Clear CG Champagne Gold BL Black LW Light Wheat PW Pewter WC Painted White Cone and Flange BC Painted Black Cone and Flange	Standard matches reflector color WT White Flange <sup>2</sup> BT Black Flange <sup>2</sup>	AM Antimicrobial Coating <sup>3</sup>

### Accessories

- B24 Set of two (2) 24" bar hangers for T-bar ceilings
- B6 Set of two bar hangers for ceiling joist up to 24" centers
- FMR3-R Flush Mount Mud-In Ring, 3" Round
- MOR3-R-WH Metal Oversized Ring, 3" Round, White (6.75" outside diameter)
- MOR3-R-BL Metal Oversized Ring, 3" Round, Black (6.75" outside diameter)

### Lens/Media Accessories

- LL3 Linear Spread Lens for 3" <sup>7</sup>
- PL3 Prismatic Lens for 3" <sup>7</sup>
- SOL3 Solite Lens for 3" <sup>7</sup>
- HL3 Hexcell Louver Black for 3" <sup>7</sup>

### Notes:

- 1 5000K available in 80+ CRI only.
- 2 WT not needed for WC, BT not needed for BC.
- 3 AM available with WC or Specular Clear (S or SWT). Consult factory for other colors.
- 4 Flush Mount Flange (FM) requires FMR accessory (sold separately).
- 5 IC available up to 15L.
- 6 Pinhole and Slot available only in WC or BC painted colors.
- 7 Lens holder supplied with fixture accommodates up to 2 media (0.25" max. total thickness).

# LTR-3RAPH

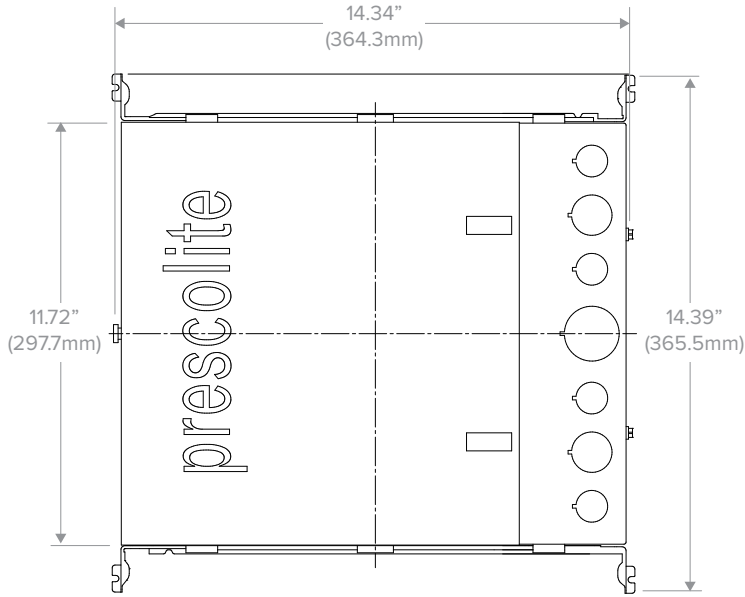
LITEISTRY 3" ROUND ADJUSTABLE WITH POWERHUBB™

DATE: \_\_\_\_\_ LOCATION: \_\_\_\_\_

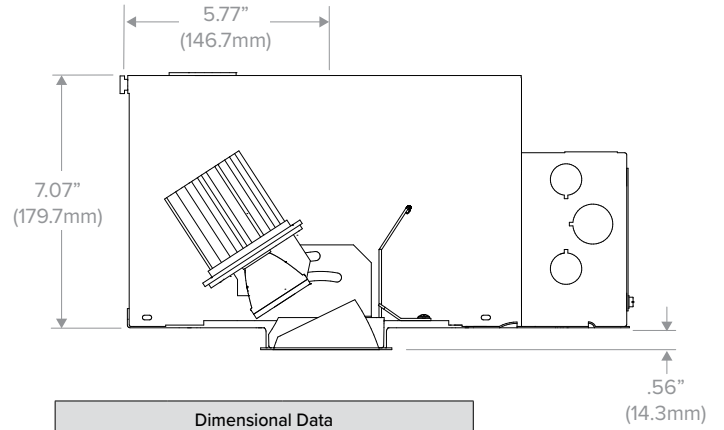
TYPE: \_\_\_\_\_ PROJECT: \_\_\_\_\_

CATALOG #: \_\_\_\_\_

## DIMENSIONS



Top View



Dimensional Data		
Aperture		2.88" (73.2mm)
Flange	Standard	3.68" (93.5mm)
	Flush Mount	3.68" (93.5mm)
Ceiling Cutout	Standard	3.38" (85.9mm)
	Flush Mount	4.00" (101.6mm)
Ceiling Thickness		0.50" to 1.25" (12.7mm to 31.8mm)

# LTR-3RAPH

LITEISTRY 3" ROUND ADJUSTABLE WITH POWERHUB™

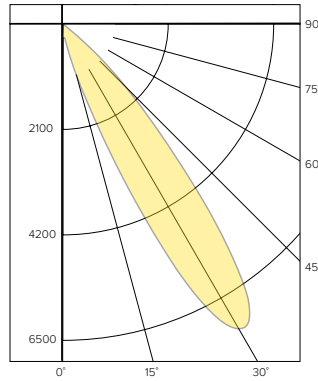
## PHOTOMETRY

### LTR-3RAPH-H-20L35K8NR-PMC / LTR-3RA-T-S

#### LUMINAIRE DATA

Test No.	<b>R19.00778-01</b>
Description	<b>2000 lm, Narrow, 3500K, 80 CRI</b>
Delivered Lumens	<b>1498</b>
Watts	<b>23.9W</b>
Efficacy	<b>62.7</b>
Mounting	<b>Recessed</b>
Beam Angle (FWHM)	<b>19</b>

#### POLAR GRAPH



#### CANDELA DISTRIBUTION

Degree	Candela
0	398
5	397
15	1526
25	7773
35	8900
45	2533
55	79
65	13
75	3
85	0
90	0

#### LUMINANCE DATA\*

Vertical Angle	Average
45°	996
55°	818
65°	555
75°	0
85°	0

\*Candela/Square Meter

#### ZONAL LUMEN SUMMARY

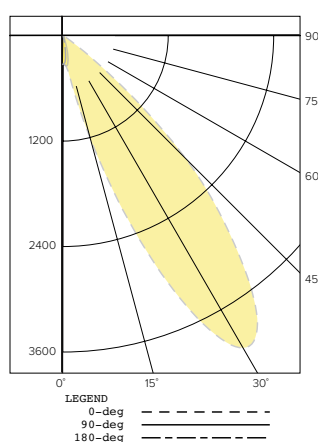
Zone	Lumens	% Luminaire
0-40	1240	82.8
0-60	1494	99.7
0-90	1498	100.0
0-180	1498	100.0

### LTR-3RAPH-H-20L35K8MD-PMC / LTR-3RA-T-S

#### LUMINAIRE DATA

Test No.	<b>R19.00779-01</b>
Description	<b>2000 lm, Medium, 3500K, 80 CRI</b>
Delivered Lumens	<b>1346</b>
Watts	<b>23.9W</b>
Efficacy	<b>56.4</b>
Mounting	<b>Recessed</b>
Beam Angle (FWHM)	<b>27</b>

#### POLAR GRAPH



#### CANDELA DISTRIBUTION

Degree	Candela
0	435
5	459
15	1640
25	4628
35	5119
45	2630
55	204
65	14
75	3
85	0
90	0

#### LUMINANCE DATA\*

Vertical Angle	Average
45°	996
55°	818
65°	555
75°	907
85°	0

\*Candela/Square Meter

#### ZONAL LUMEN SUMMARY

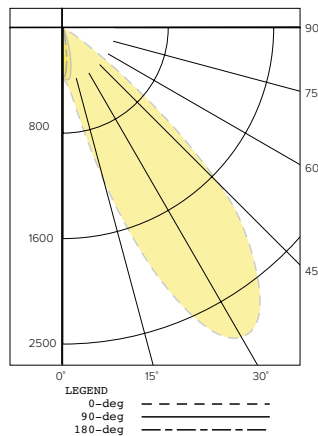
Zone	Lumens	% Luminaire
0-40	1043	77.5
0-60	1341	99.7
0-90	1346	100.0
0-180	1346	100.0

### LTR-3RAPH-H-20L35K8WD-PMC / LTR-3RA-T-S

#### LUMINAIRE DATA

Test No.	<b>R19.00780-01</b>
Description	<b>2000 lm, Wide, 3500K, 80 CRI</b>
Delivered Lumens	<b>1262</b>
Watts	<b>23.9W</b>
Efficacy	<b>52.9</b>
Mounting	<b>Recessed</b>
Beam Angle (FWHM)	<b>32</b>

#### POLAR GRAPH



#### CANDELA DISTRIBUTION

Degree	Candela
0	529
5	603
15	1620
25	3388
35	3591
45	2320
55	328
65	17
75	2
85	0
90	0

#### LUMINANCE DATA\*

Vertical Angle	Average
45°	1327
55°	818
65°	555
75°	907
85°	0

\*Candela/Square Meter

#### ZONAL LUMEN SUMMARY

Zone	Lumens	% Luminaire
0-40	950	75.3
0-60	1256	99.5
0-90	1262	100.0
0-180	1262	100.0

# LTR-3RAPH

LITEISTRY 3" ROUND ADJUSTABLE WITH POWERHUB™

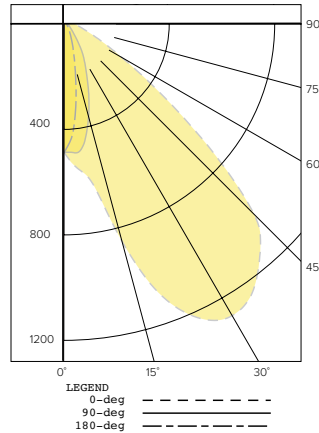
## PHOTOMETRY CONTINUED

### LTR-3RAPH-H-20L35K8XW-PMC / LTR-3RA-T-S

#### LUMINAIRE DATA

Test No.	19.00781
Description	2000 lm, Extra Wide, 3500K, 80 CRI
Delivered Lumens	960
Watts	24.0W
Efficacy	40.0
Mounting	Recessed
Beam Angle (FWHM)	43

#### POLAR GRAPH



#### CANDELA DISTRIBUTION

Degree	Candela
0	633
5	710
15	1120
25	1572
35	1565
45	1229
55	393
65	36
75	2
85	0
90	0

#### LUMINANCE DATA\*

Vertical Angle	Average
45°	1659
55°	1227
65°	1111
75°	907
85°	0

\*Candela/Square Meter

#### ZONAL LUMEN SUMMARY

Zone	Lumens	% Luminaire
0-40	700	72.9
0-60	950	99.0
0-90	960	100.0
0-180	960	100.0

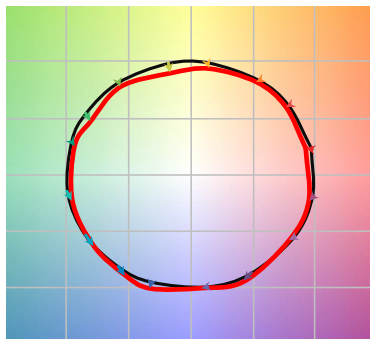
#### LUMEN MULTIPLIER

Option	27K8	30K8	35K8	40K8	50K8	27K9	30K9	35K9	40K9
Multiplier	0.94	0.98	1.00	1.01	1.02	0.81	0.84	0.85	0.85

Photometrics are published below at a nominal 3500 Kelvin, 80+ CRI. This table may be used to approximate the lumen values at different Kelvin temperatures. Power consumption would stay the same.

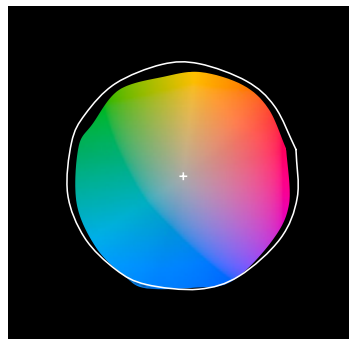
## TM-30 DATA

#### COLOR VECTOR GRAPHIC 3500K, 90 CRI



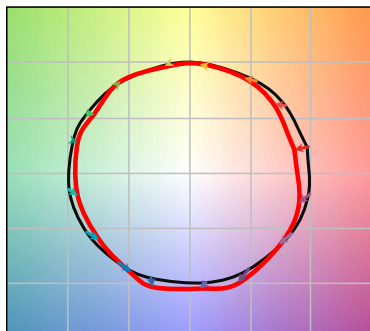
— Reference Illuminant — Test Source

#### COLOR DISTORTION GRAPHIC 3500K, 90 CRI



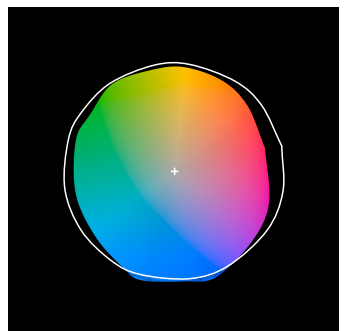
TEST RESULTS - 3500K		
Value	80+ CRI	90+ CRI
R <sub>i</sub>	84	88
R <sub>g</sub>	95	95
CCT (K)	3411	3419
D <sub>uv</sub>	0.0015	0.0042
x	0.4120	0.4147
y	0.3974	0.4052
CIE R <sub>a</sub>	84	93
CIE R <sub>g</sub>	11	62

#### COLOR VECTOR GRAPHIC 3500K, 80 CRI



— Reference Illuminant — Test Source

#### COLOR DISTORTION GRAPHIC 3500K, 80 CRI





# LTR-3RAPH

LITEISTRY 3" ROUND ADJUSTABLE WITH POWERHUBB™

DATE: \_\_\_\_\_ LOCATION: \_\_\_\_\_

TYPE: \_\_\_\_\_ PROJECT: \_\_\_\_\_

CATALOG #: \_\_\_\_\_

## ELECTRICAL DATA

WATTAGE DATA		
Lumen Output	Nominal Lumens	Wattage
06L	600	8
10L	1000	12
15L	1500	19
20L	2000	25

\* Wattage may vary based on configuration and options selected

## ADDITIONAL INFORMATION



Hubbell Control Solutions' PowerHUBB™ is an enterprise-level Power over Ethernet (PoE) lighting and control platform that seamlessly integrates luminaires, sensors, user interfaces and software for a scalable intelligent building control solution.

See separate [PowerHUBB™ In-Fixture Solutions Guide](#) and [Hubbell Control Solutions PowerHUBB Brochure](#) for more details.

