

# LTR-3RW-RH Lens

LITEISTRY 3" ROUND REMODEL LENSED WALL WASH (LWW)

LITEISTRY™

## FEATURES

- 3" architectural LED remodel lensed wall wash delivering 600–2000 lm
- Provides smooth, uniform vertical illumination
- 2700K–5000K, 80+ and 90+ CRI options
- For remodel (non-IC) install from below applications
- Standard with 0-10V to 1% dimming



## RELATED PRODUCTS

Ø 3" LITEISTRY Family

Ø 4" LITEISTRY Family

Ø 6" LITEISTRY Family

## SPECIFICATIONS

### CONSTRUCTION

- Die cast and spun aluminum construction with separate driver compartment and compact junction box
- Installs from below the ceiling after drywall with pre-installed retention springs; No plaster frame required
- Light Engine connections use plenum rated (CMP) cable

### OPTICS

- Provides excellent uniformity down the wall
- The light distribution is free of distracting bright spots or pixelation and the perimeter has a smooth transition
- High purity spun aluminum reflector, self-flanged
- Flush mount flange option with mud-in ring available
- Large selection of anodized finishes and colors
- Painted cones and flange options available

### ELECTRICAL

- Chip-on-board (COB) with 2 SDCM
- Multiple CCTs, 80+ or 90+ CRI
- Long LED life: L90 at >55,000 hours (TM-21)
- Universal voltage 120V–277V driver
- UL Class 2, inherent short circuit and overload protection, RoHS compliant
- Flicker free 0-10V dimming with 1% performance

### INSTALLATION

- Accommodates ceiling thickness up to 1.25"
- Remodel light engine/driver fully serviceable from above or below the ceiling

### CERTIFICATIONS

- cCSAus certified to UL 1598
- Suitable for wet locations, covered ceiling
- Approved for 4 (2 in/2 out) No. 12AWG conductors rated for 90°C through wiring
- This product qualifies as a “designated country construction material” per FAR 52.225-11 Buy American-Construction. Materials under Trade Agreements effective 6/6/2020. See [Buy American Solutions](#).

### WARRANTY

- 5 year warranty
- See [HLI Standard Warranty](#) for additional information

KEY DATA	
Lumen Range	600-2000
Wattage Range	8-25
Efficacy Range (LPW)	79*
Reported Life (Hours)	L90 / >55,000
Input Current (mA)	67-208 (120V)

\*Based on Specular, 35K, 80 CRI



# LTR-3RW-RH Lens

LITEISTRY 3" ROUND REMODEL LENSED WALL WASH (LWW)

DATE: \_\_\_\_\_ LOCATION: \_\_\_\_\_

TYPE: \_\_\_\_\_ PROJECT: \_\_\_\_\_

CATALOG #: \_\_\_\_\_

## ORDERING GUIDE

**Example:** LTR-3RD-RH-SL10L-DM1-LTR-3RW-T-SL35K8LWW-S

CATALOG # \_\_\_\_\_

### HOUSING

LTR-3RD-RH		Lumen Package		Lumen Output		Driver Options		Voltage	
Aperture/Shape/Function									
LTR-3RD-RH	3" Round Downlight /Wall Wash Remodel Housing	<b>SL</b>	Standard Lumen	<b>06L</b>	600	<b>DM1</b>	0-10V Dimming to 1%	Standard 120-277V	
				<b>10L</b>	1000				
				<b>15L</b>	1500				
		<b>ML</b>	Medium Lumen	<b>20L</b>	2000				

### TRIM

LTR-3RW-T		Lumen Package		CCT		CRI		Distribution	
Aperture/Shape/Function									
LTR-3RW-T	3" Round Wall Wash Light Engine/Trim Assembly	<b>SL</b>	Standard Lumen	<b>27K</b>	2700K	<b>8</b>	80+ CRI	<b>LWW</b> Lensed Wall Wash	
		<b>ML</b>	Medium Lumen	<b>30K</b>	3000K	<b>9</b>	90+ CRI		
				<b>35K</b>	3500K				
				<b>40K</b>	4000K				
				<b>50K</b>	5000K <sup>1</sup>				

### TRIM CONTINUED

Reflector Finish		Reflector Color		Flange Color Options		Reflector Options	
<i>Finish not applicable with painted reflectors (WC or BC)</i>		<i>Standard Clear</i>		<i>Standard matches reflector color</i>		<b>AM</b> Antimicrobial Coating <sup>3</sup>	
<b>S</b>	Specular	<b>CG</b>	Champagne Gold	<b>WT</b>	White Flange <sup>2</sup>		
<b>SS</b>	Semi-Specular	<b>BL</b>	Black	<b>BT</b>	Black Flange <sup>2</sup>		
<b>MFC</b>	American Matte™	<b>LW</b>	Light Wheat				
<b>VS</b>	Softglow®	<b>PW</b>	Pewter				
<b>VSS</b>	SoftSheen™	<b>WC</b>	Painted White Cone and Flange				
		<b>BC</b>	Painted Black Cone and Flange				

Notes:

- 1 5000K available in 80+ CRI only.
- 2 WT not needed for WC, BT not needed for BC.
- 3 AM available with WC or Specular Clear (S or SWT). Consult factory for other colors.

### Accessories

- FMR3-R** Flush Mount Flange Mud-In Ring, 3" Round
- LiteGear** LiteGear® Inverter, 125VA-250VA
- LPS Series** LightPower Micro-Inverter, 20VA-55VA
- MOR3-R-WH** Metal Oversized Ring, 3" Round, White (6.75" outside diameter)
- MOR3-R-BL** Metal Oversized Ring, 3" Round, Black (6.75" outside diameter)

# LTR-3RW-RH Lens

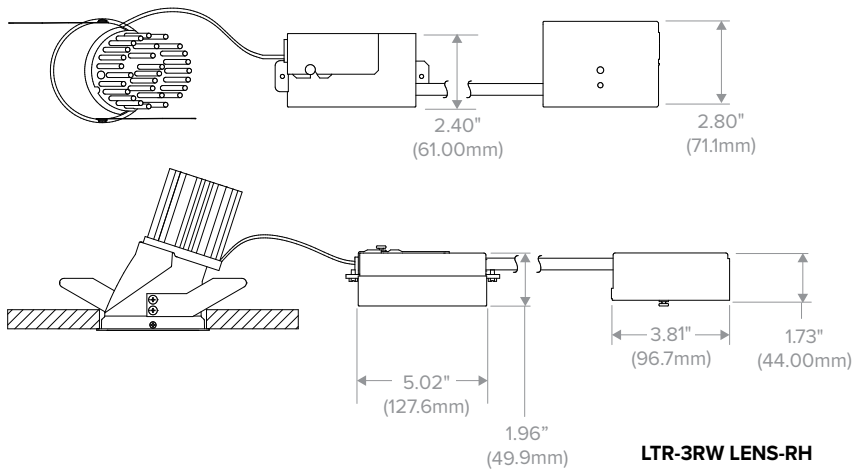
LITEISTRY 3" ROUND REMODEL LENSED WALL WASH (LWW)

## PERFORMANCE DATA TABLE

Performance data provided below is for 3500K, 80 CRI with Specular Clear reflector finish/color

Lumen Package	Nominal Lumens	Distribution	"Delivered Lumens"	Watts	LPW
06L	600	Lensed Wall Wash	656	7.8	84
10L	1000	Lensed Wall Wash	1055	11.9	89
15L	1500	Lensed Wall Wash	1527	18.6	82
20L	2000	Lensed Wall Wash	1974	25.0	79

## DIMENSIONS



Dimensional Data		
Aperture		2.88" (73.2mm)
Flange	Standard	3.68" (93.5mm)
	Flush Mount	3.68" (93.5mm)
Ceiling Cutout	Standard	3.38" (85.9mm)
	Flush Mount	4.00" (101.6mm)
Ceiling Thickness		0.50" to 1.25" (12.7mm to 31.8mm)

**LTR-3RW LENS-RH**

# LTR-3RW-RH Lens

LITEISTRY 3" ROUND REMODEL LENSED WALL WASH (LWW)

## PHOTOMETRY

### LTR-3RD-RH-ML20L-DM1 / LTR-3RW-T-ML35K8LWW-S

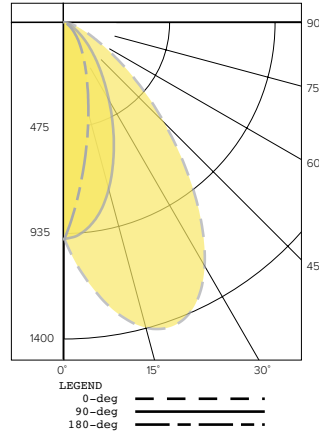
#### LUMINAIRE DATA

Test No.	R19.00751-C02
Description	3" Wall-Wash; 2000lm 3500K, 80 CRI
Delivered Lumens	1974
Watts	25
Efficacy	78.8
Mounting	Recessed

#### ZONAL LUMEN SUMMARY

Zone	Lumens	% Luminaire
0-40	1432	72.5
0-60	1894	95.9
0-90	1974	100.0
0-180	1974	100.0

#### POLAR GRAPH



#### CANDELA DISTRIBUTION

Degree	Candela
0	1554
5	1857
15	2267
25	2225
35	1697
45	1002
55	464
65	176
75	55
85	0
90	0

#### LUMINANCE DATA\*

Vertical Angle	Average
45°	332529
55°	189834
65°	97726
75°	49867
85°	0

\*Candela/Square Meter

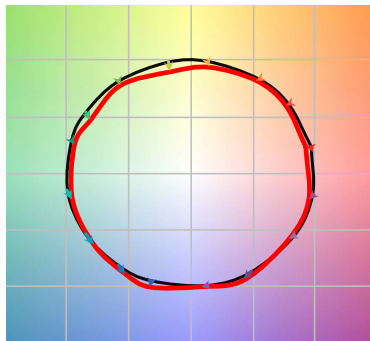
#### LUMEN MULTIPLIER

Option	27K8	30K8	35K8	40K8	50K8	27K9	30K9	35K9	40K9
Multiplier	0.94	0.98	1.00	1.01	1.02	0.81	0.84	0.85	0.85

Photometrics are published below at a nominal 3500 Kelvin, 80+ CRI. This table may be used to approximate the lumen values at different Kelvin temperatures. Power consumption would stay the same.

## TM-30 DATA

#### COLOR VECTOR GRAPHIC 3500K, 90 CRI



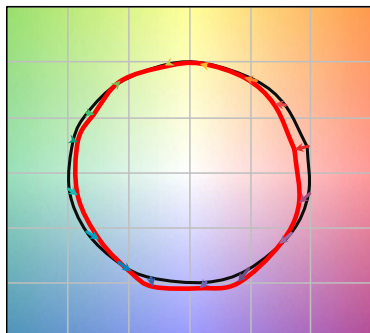
— Reference Illuminant — Test Source

#### COLOR DISTORTION GRAPHIC 3500K, 90 CRI



TEST RESULTS - 3500K		
Value	80+ CRI	90+ CRI
R <sub>t</sub>	84	88
R <sub>g</sub>	95	95
CCT (K)	3411	3419
D <sub>uv</sub>	0.0015	0.0042
x	0.4120	0.4147
y	0.3974	0.4052
CIE R <sub>a</sub>	84	93
CIE R <sub>g</sub>	11	62

#### COLOR VECTOR GRAPHIC 3500K, 80 CRI



— Reference Illuminant — Test Source

#### COLOR DISTORTION GRAPHIC 3500K, 80 CRI





DATE: \_\_\_\_\_ | LOCATION: \_\_\_\_\_

TYPE: \_\_\_\_\_ | PROJECT: \_\_\_\_\_

CATALOG #: \_\_\_\_\_

# LTR-3RW-RH Lens

LITEISTRY 3" ROUND REMODEL LENSED WALL WASH (LWW)

## ELECTRICAL DATA

DRIVER DATA	
Input Voltage	120-277V
Input Frequency	50/60 Hz
Power Factor	≥0.90
THD	<20%
EMI Filtering (FCC 47 CFR Part 15)	Class A

\* Values for DM1 option shown, values for other dimming options may vary.

WATTAGE DATA		
Lumen Output	Nominal Lumens	WATTAGE
06L	600	8
10L	1000	12
15L	1500	19
20L	2000	25

## ADDITIONAL INFORMATION

DIMMING COMPATIBILITY CHART		
Dimming Driver	Manufacturer	Web Link
DM	Lutron DDTV	<a href="http://bit.ly/1jSvZg">http://bit.ly/1jSvZg</a>
DM1	Leviton AWRMG-7xx, AWSMG-7xx, AWSMT-7xx	<a href="http://bit.ly/1Bjn2R9">http://bit.ly/1Bjn2R9</a>

### Central Inverters

For full fixture output in back-up mode, we recommend you visit [www.dual-lite.com](http://www.dual-lite.com) for your Central Lighting Inverter options. Please contact your local Hubbell representative for any assistance with proper sizing and loading of your inverter selection. Central lighting inverters must be ordered separately.

LiteGear: [www.dual-lite.com/products/litegear\\_lg\\_series](http://www.dual-lite.com/products/litegear_lg_series)

LPS Series: [www.dual-lite.com/products/lps](http://www.dual-lite.com/products/lps)