

LTR-4RW-RFH Open

LITEISTRY 4" ROUND RETROFIT OPEN WALL WASH (WW/DWW)

LITEISTRY™

FEATURES

- 4" architectural LED retrofit wall wash delivering 600–3000 lm
- Single and double wall wash solutions
- Provides uniform vertical illumination as well as room side light
- Quiet reflector appearance with 50° optical cutoff
- 2700K–5000K, 80+ and 90+ CRI options
- For use in retrofit (non-IC) applications
- Variety of dimming protocol options including 0-10V, DALI, Lutron Forward Phase and EcoSystem



RELATED PRODUCTS

Ø 3" [LITEISTRY Family](#)

Ø 4" [LITEISTRY Family](#)

Ø 6" [LITEISTRY Family](#)



SPECIFICATIONS

CONSTRUCTION

- Die cast aluminum mounting ring with 5-axis adjustable junction box
- Retrofit housing allows below ceiling installation without removing existing fixture
- Pre-wired junction box with snap-on covers for easy access
- Snap-in connection from driver compartment allows easy installation
- Light Engine connections use plenum rated (CMP) cable

OPTICS

- Visually pleasing 50° cutoff to source and source image
- Open cone and kicker reflector assembly with an optical grade silicone lens integral to light engine
- Available in Single and Double wall wash distributions
- Provides excellent uniformity down the wall while also contributing to room side lighting
- The light distribution is free of distracting bright spots or pixelation and the perimeter has a smooth transition
- High purity spun aluminum reflector, self-flanged
- Flush mount flange option with mud-in ring available
- Large selection of anodized finishes and colors
- Painted cones and flange options available

ELECTRICAL

- Chip-on-board LED with 2 SDCM
- Multiple CCTs, 80+ or 90+ CRI
- Long LED life: L90 at > 55,000 hours (TM-21)
- Universal voltage 120V–277V driver, 347V optional
- UL Class 2, inherent short circuit and overload protection, RoHS compliant
- Flicker free 0-10V dimming with 1% or <1% performance
- DALI and Lutron Forward Phase and EcoSystem options
- Refer to additional spec sheets for information on [SpectraSync™ Tunable White or Dim-to-Warm](#) solutions

INSTALLATION

- Accommodates ceiling thickness up to 2"
- Light engine/driver fully serviceable from above or below the ceiling

CERTIFICATIONS

- cCSAus certified to UL 1598
- Suitable for damp locations
- Approved for 8 (4 in/4 out) No. 12AWG conductors rated for 90°C through wiring
- This product qualifies as a "designated country construction material" per FAR 52.225-11 Buy American–Construction. Materials under Trade Agreements effective 6/6/2020. See [Buy American Solutions](#).

WARRANTY

- 5 year warranty
- See [HLI Standard Warranty](#) for additional information

KEY DATA	
Lumen Range	600-3000
Wattage Range	8-35
Efficacy Range (LPW)	88*
Reported Life (Hours)	L90 / >55,000
Input Current (mA)	67-292 (120V)

*Based on Specular, 35K, 80 CRI



LTR-4RW-RFH Open

LITEISTRY 4" ROUND RETROFIT OPEN WALL WASH (WW/DWW)

DATE: _____ LOCATION: _____

TYPE: _____ PROJECT: _____

CATALOG #: _____

ORDERING GUIDE

Example: LTR-4RD-RFH-SL10L-DM1-LTR-4RW-T-SL35K8WW-S

CATALOG #

HOUSING

LTR-4RD-RFH		Lumen Package		Lumen Output		Driver Options		Voltage		Housing Options	
Aperture/Shape/Function											
LTR-4RD-RFH	4" Round Downlight/WW/DWW Retrofit Housing ⁵	SL	Standard Lumen	06L	600	DM1	0-10V Dimming to 1%	Standard	120-277V	F	Fuse
				10L	1000						
				15L	1500						
LTR-4RD-RFHW	4" Round Downlight/WW/DWW Retrofit Housing (for wide diameter) ⁵	ML	Medium Lumen	20L	2000	DALI	DALI Dimming to 1%	34	347V ⁶		
				25L	2500						
				30L	3000						
						2DM	Lutron Hi-Lume 2-wire Dimming to 1% (120V Forward Phase only) ²				
						EDM	Lutron Hi-Lume EcoSystem Dimming to 1% ²				

TRIM

LTR-4RW-T		Lumen Package		CCT		CRI		Distribution	
Aperture/Shape/Function									
LTR-4RW-T	4" Round Wall Wash Light Engine/Trim Assembly	SL	Standard Lumen	27K	2700K	8	80+CRI	WW	Single Wall Wash
				30K	3000K	9	90+CRI	DWW	Double Wall Wash
				35K	3500K				
				40K	4000K				
				50K	5000K ¹				

TRIM CONTINUED

Reflector Finish		Reflector Color		Flange Color Options		Lower Trim Options		Reflector Options	
<i>Finish not applicable with painted reflectors (WC or BC)</i>		<i>Standard Clear</i>		<i>Standard matches reflector color</i>		WF Wide Flange		AM Antimicrobial Coating ⁴	
S	Specular	CG	Champagne Gold	WT	White Flange ³				
SS	Semi-Specular	BL	Black	BT	Black Flange ³				
MFC	American Matte™	LW	Light Wheat						
VS	Softglow®	PW	Pewter						
VSS	SoftSheen™	WC	Painted White Cone and Flange						
		BC	Painted Black Cone and Flange						

Accessories

- LiteGear LiteGear® Inverter, 125VA-250VA
- LPS Series LightPower Micro-Inverter, 20VA-55VA
- MOR4-R-WH Metal Oversized Ring, 4" Round, White (8.25" outside diameter)
- MOR4-R-BL Metal Oversized Ring, 4" Round, Black (8.25" outside diameter)

Notes:

- 1 5000K available in 80+ CRI only.
- 2 2DM and EDM available in 10L-30L.
- 3 WT not needed for WC, BT not needed for BC.
- 4 AM available with WC or Specular Clear (S or SWT). Consult factory for other colors.
- 5 See line art for compatibility with existing aperture diameters.
- 6 347V requires DM1 driver option; not available in 06L or F.

LTR-4RW-RFH Open

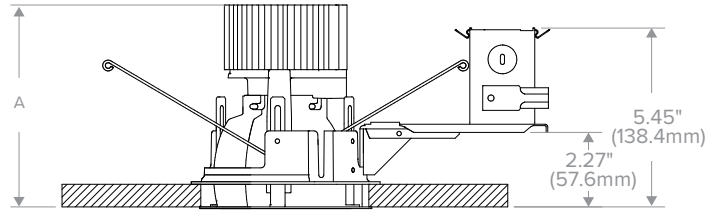
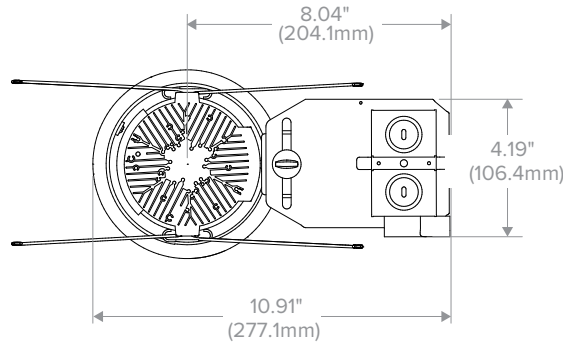
LITEISTRY 4" ROUND RETROFIT OPEN WALL WASH (WW/DWW)

PERFORMANCE DATA TABLE

Performance data provided below is for 3500K, 80 CRI with Specular Clear reflector finish/color

Lumen Package	Nominal Lumens	Distribution	Delivered Lumens	Watts	LPW
06L	600	Open Single Wall Wash	620	7.8	79
10L	1000	Open Single Wall Wash	991	12.0	83
15L	1500	Open Single Wall Wash	1418	18.6	76
20L	2000	Open Single Wall Wash	1989	22.7	88
25L	2500	Open Single Wall Wash	2357	27.8	85
30L	3000	Open Single Wall Wash	2829	34.6	82

DIMENSIONS



Housing Compatibility Guide			
Existing Frame Opening**		Use Housing	Use Flange Option
MIN	MAX		
4.75" (120.7mm)	5.00" (127.0mm)	-RFH	(Standard)
5.00" (127.0mm)	5.50" (139.7mm)	-RFHW	WF

**Measure the existing plaster frame opening at its narrowest point

Dimensional Data		
Aperture		4.00" (101.6mm)
Flange:	Standard	5.25" (133.4mm)
	Flush Mount	4.50" (114.3mm)
	Wide (WF)	5.75" (146.1mm)
Ceiling Cutout:	Standard	5.00" (127.0mm)
	Flush Mount	5.12" (130.0mm)
Ceiling Thickness:	WW/DWW	0.50" to 2.00" (12.7mm to 50.8mm)

Lumen Package	"A"
06L-15L	4.97" (126.2mm)
20L-30L	6.15" (156.2mm)

LTR-4RW-RFH/RFHW

LTR-4RW-RFH Open

LITEISTRY 4" ROUND RETROFIT OPEN WALL WASH (WW/DWW)

PHOTOMETRY

LTR-4RD-RFH-ML20L-DM1 / LTR-4RW-T-ML35K8WW-S

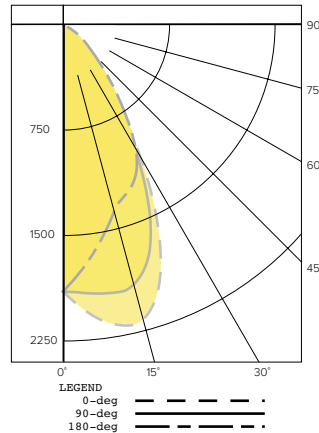
LUMINAIRE DATA

Test No.	R19.00750-C02
Description	Single Wall Wash, 2000 lm, 3500K, 80 CRI
Delivered Lumens	1989
Watts	22.7W
Efficacy	87.5
Mounting	Recessed

ZONAL LUMEN SUMMARY

Zone	Lumens	% Luminaire
0-40	1777	89.3
0-60	1959	98.5
0-90	1989	100.0
0-180	1989	100.0

POLAR GRAPH



CANDELA DISTRIBUTION

Degree	Candela
0	1900
5	1730
15	1390
25	1210
35	783
45	360
55	173
65	69
75	13
85	2
90	0

LUMINANCE DATA*

Vertical Angle	Average
45°	59049
55°	34982
65°	18936
75°	5826
85°	2662

*Candela/Square Meter

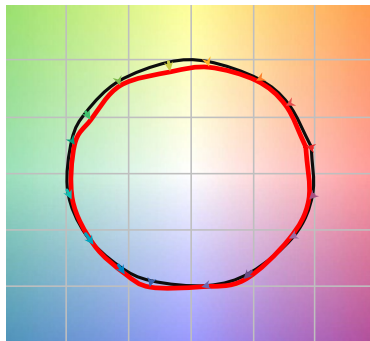
LUMEN MULTIPLIER

Option	27K8	30K8	35K8	40K8	50K8	27K9	30K9	35K9	40K9
Multiplier	0.94	0.98	1.00	1.01	1.02	0.81	0.84	0.85	0.85

Photometrics are published below at a nominal 3500 Kelvin, 80+ CRI. This table may be used to approximate the lumen values at different Kelvin temperatures. Power consumption would stay the same.

TM-30 DATA

COLOR VECTOR GRAPHIC 3500K, 90 CRI



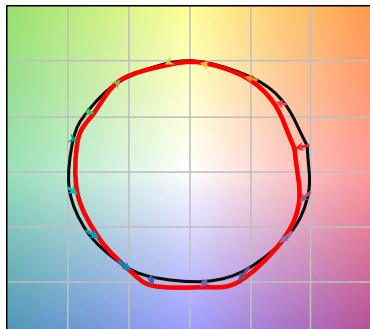
— Reference Illuminant — Test Source

COLOR DISTORTION GRAPHIC 3500K, 90 CRI



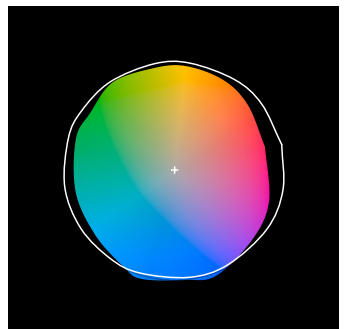
TEST RESULTS - 3500K		
Value	80+ CRI	90+ CRI
R _f	84	88
R _g	95	95
CCT (K)	3411	3419
D _{uv}	0.0015	0.0042
x	0.4120	0.4147
y	0.3974	0.4052
CIE R _a	84	93
CIE R _g	11	62

COLOR VECTOR GRAPHIC 3500K, 80 CRI



— Reference Illuminant — Test Source

COLOR DISTORTION GRAPHIC 3500K, 80 CRI





DATE: _____ LOCATION: _____

TYPE: _____ PROJECT: _____

CATALOG #: _____

LTR-4RW-RFH Open

LITEISTRY 4" ROUND RETROFIT OPEN WALL WASH (WW/DWW)

ELECTRICAL DATA

DRIVER DATA		
Input Voltage	120-277 V	347 V
Input Frequency	50/60 Hz	50/60 Hz
Power Factor	≥0.90	≥0.90
THD	<20%	<20%
EMI Filtering (FCC 47 CFR Part 15)	Class A	Class A

* Values for DM1 option shown, values for other dimming options may vary.

WATTAGE DATA		
Lumen Output	Nominal Lumens	Wattage
06L	600	8
10L	1000	12
15L	1500	19
20L	2000	23
25L	2500	28
30L	3000	35

* Wattage may vary based on configuration and options selected

ADDITIONAL INFORMATION

DIMMING COMPATIBILITY CHART		
Dimming Driver	Manufacturer	Web Link
DM1/DM01	Lutron DTVT	http://bit.ly/1jSvZg
DM1	Leviton AWRMG-7xx, AWSMG-7xx, AWSMT-7xx	http://bit.ly/1BjN2R9
EDM	Lutron	http://bit.ly/1vtjHAI
2DM	Lutron	http://bit.ly/1S4WjXK

Central Inverters

For full fixture output in back-up mode, we recommend you visit www.dual-lite.com for your Central Lighting Inverter options. Please contact your local Hubbell representative for any assistance with proper sizing and loading of your inverter selection. Central lighting inverters must be ordered separately.

LiteGear: www.dual-lite.com/products/litegear_lg_series

LPS Series: www.dual-lite.com/products/lps