



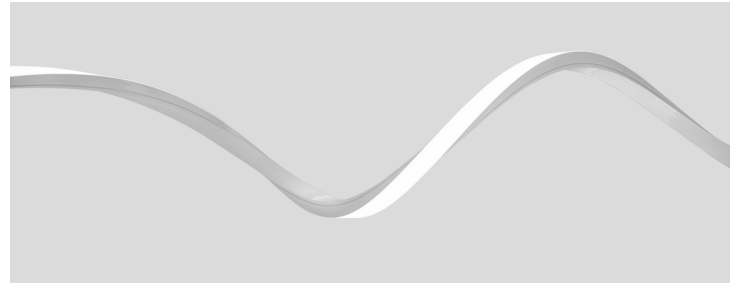
a brand of TARGETTI

DURAFLEX ARCH TWIST™

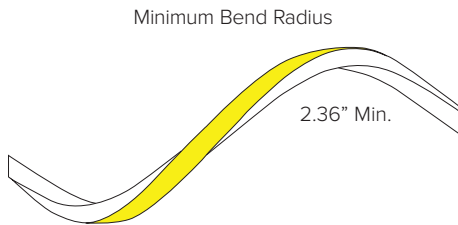
IP65 OUTDOOR

KEY FEATURES

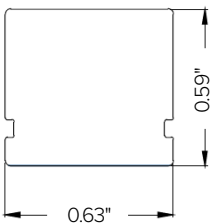
- DURAFLEX ARCH TWIST is the best tool for following the fluid shapes of contemporary architecture or creative lighting, obtaining unprecedented effects; a light strip that can be twisted both vertically and horizontally
- Fully twistable DURAFLEX is field cuttable at any length can be cut at any point to create the exact length required for the project and without approximation!
- Energy efficient LED flexible light strip for continuous constant color changing linear applications.
- Extremely flexible and adjustable lengths for varied architectural applications.
- Max continuous length: up to 16' per run (2.7W/ft)
- Multiple dimming options available.



No cut limitation

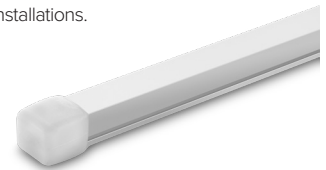


DIMENSIONAL DRAWINGS



DETAILS

- Wattage** 2.7W/ft
- Color Temp** 2700K / 3000K / 3500K / 4000K
- End Preps** Factory attached end preps available (See Page 2).
- Field Cuts** Field cuttable at any length.
- Bend Radius** Minimum Bend Radius 2.36"
- Mounting** Mounting clip, aluminum mounting channel, or serpentine stainless steel flex channel options.
- Lens Options** Extruded Silicone with Milky White diffusion lens with 119° visibility.
- Installation** Factory manufactured lengths with 12" power feed. To be completed with clip or channel mountings.
- Power Supply** Listed Class 2 output, 24V DC power supply required
- Certifications** cULus Class 2 Listed
Tested in accordance with LM-79-08
Energy efficient for California installations.
- Compliance** ROHS compliant
- Warranty** 5 year warranty



Translucent Silicone Leads and End Caps

FIXTURE DATA

Model	Efficacy* Lm/Ft Lm/Wt	Wt/Ft
2700*K	45.2 122.0	2.7
3000*K	48.1 130.0	2.7
3500*K	48.1 130.0	2.7
4000*K	50.8 137.2	2.7

* Meets Title 24 High efficacy rating.

LED DATA

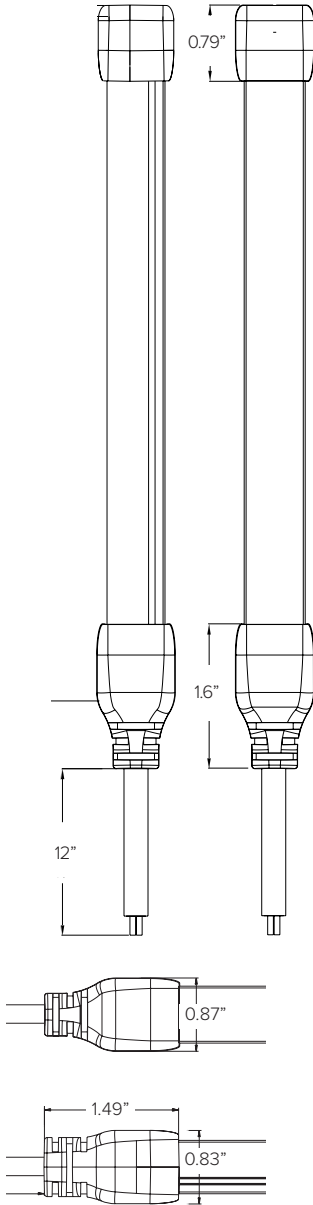
Model	Viewing Angle	Lifespan at 90% drive
2.7W/ft	119°	50,000hrs

* LEDs operating at 90% of LED manufacturers maximum current rating.

PRODUCT CODE	PROFILE	WATTAGE	IP RATING	COLOR TEMP	VOLTAGE	+	END PREP	+	MOUNTING	+	POWER SUPPLY
DFA — DuraFlex ARCH™	TW — Twist	27 — 2.7W/ft	O — Outdoor IP65	27 — 2700K 30 — 3000K 35 — 3500K 40 — 4000K	24 — 24V DC						

END PREPS AND CONNECTORS (REQUIRED) - Choose 1

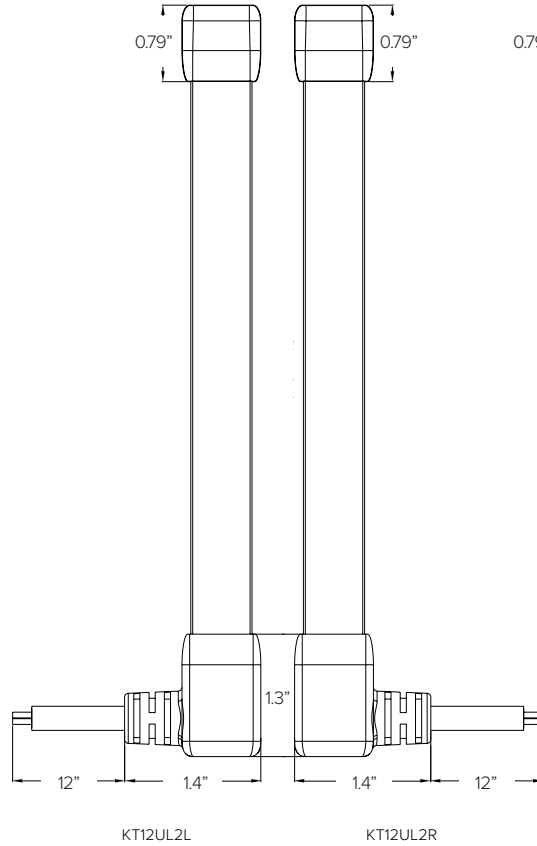
A



KT12UL1

Straight end feed kit. Factory attached translucent silicone single lead wire prep. 7.87" Lead wire/dead end allows for connection to power at lead end and field trim of DuraFlex ARCH Twist product at the other end. Completed with translucent silicone factory attached end cap.

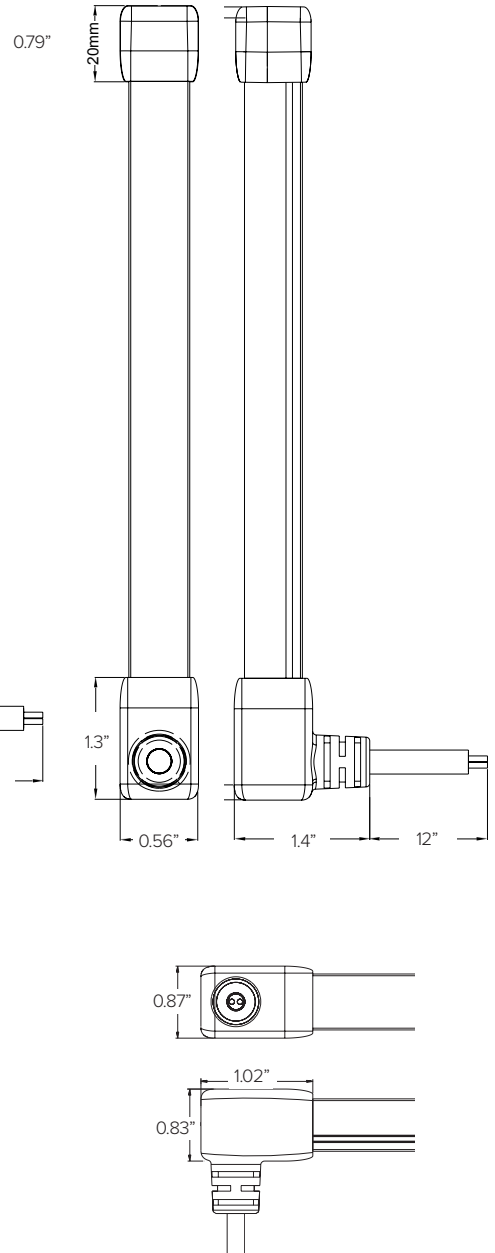
B



**KT12UL2L (Left)
KT12UL2L (Right)**

Side feed kit. Factory attached translucent silicone single lead wire prep. 7.87" Lead wire/dead end allows for connection to power at lead end and field trim of DuraFlex ARCH Twist product at the other end. Completed with translucent silicone factory attached end cap.

C



KT12UL3

Bottom feed kit. Factory attached translucent silicone single lead wire prep. 7.87" Lead wire/dead end allows for connection to power at lead end and field trim of DuraFlex ARCH Twist product at the other end. Completed with translucent silicone factory attached end cap.

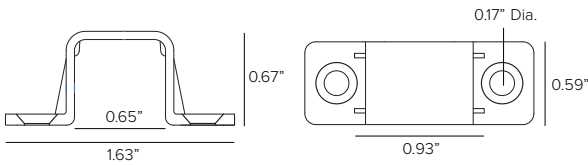
MOUNTING ACCESSORIES



KT12UMS1

KT12UMS1

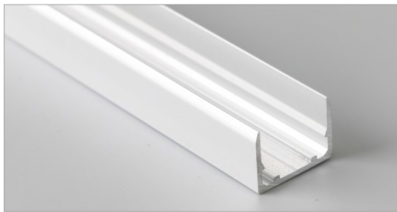
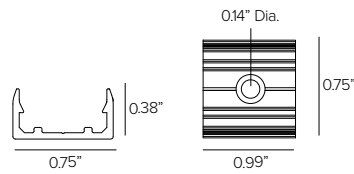
TOP Flex Transparent clips kit. Includes 5 clips and 10 screws.



KT09UTC1

KT09UTC1

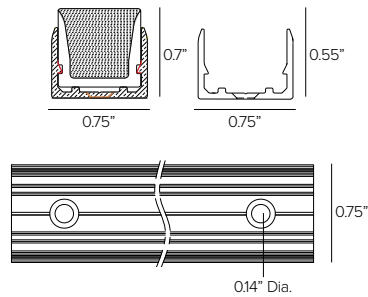
Bottom fixing clips. Includes 5 clips and 5 screws.



KT10UTP1

KT10UTP1

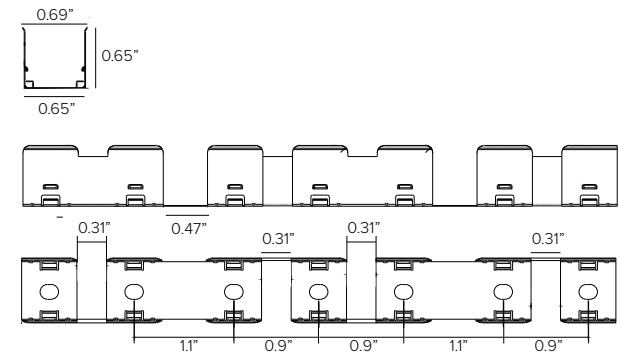
Aluminum channel length 38in (1pc) and 2 of screws (termination end prep rest outside of the channel).



KT12UFP2-10M

KT12UFP2-10M

Flexible stamped stainless steel profile secured with screws (not provided). Sold in 1ft lengths.





a brand of TARGETTI

DURAFLEX ARCH TWIST™

IP65 OUTDOOR

Power Supply (REQUIRED)	Type	Wattage	Input/Output Voltage	Dimmable	IP Rating	Output	Dimensions
DMLE301242UD	EMCOD MLE ELECTRONIC UNIVERSAL DIMMING DRIVER WITH WIRING COMPARTMENT.	30W	120-277V / 24V	MLV / ELV / 0-10V / TRIAC	NEMA3R ENCLOSURE	UL CLASS 2	4.47" X 6.79" X 1.38"
DMLE601242UD	EMCOD MLE ELECTRONIC UNIVERSAL DIMMING DRIVER WITH WIRING COMPARTMENT.	60W	120-277V / 24V	MLV / ELV / 0-10V / TRIAC	NEMA3R ENCLOSURE	UL CLASS 2	4.47" X 6.79" X 1.38"
DMLE961242UD	EMCOD MLE ELECTRONIC UNIVERSAL DIMMING DRIVER WITH WIRING COMPARTMENT.	96W	120-277V / 24V	MLV / ELV / 0-10V / TRIAC	NEMA3R ENCLOSURE	UL CLASS 2	5.16" X 7.73" X 1.54"
DMLE1922242UD	EMCOD MLE ELECTRONIC UNIVERSAL DIMMING DRIVER WITH WIRING COMPARTMENT.	2X96W	120-277V / 24V	MLV / ELV / 0-10V / TRIAC	NEMA3R ENCLOSURE	UL CLASS 2	5.04" X 10.94" X 1.81"
DMLE2882242UD	EMCOD MLE ELECTRONIC UNIVERSAL DIMMING DRIVER WITH WIRING COMPARTMENT.	3X96W	120-277V / 24V	MLV / ELV / 0-10V / TRIAC	NEMA3R ENCLOSURE	UL CLASS 2	5.04" X 10.94" X 1.81"
DEL60PWM	MEANWELL ELECTRONIC STANDALONE PWM DRIVER, UL LISTED ENCLOSURE PROVIDED BY OTHERS.	60W	120-277V / 24V	0-10V <10%	IP67	UR CLASS 2	5.9" X 2.09" X 1.38"
DELI601241CPWM	MEANWELL ELECTRONIC PWM DRIVER.	60W	120-277V / 24V	0-10V <10%	NEMA1 ENCLOSURE	UL CLASS 2	10" x 10" x 4"
DEL90PWM	MEANWELL ELECTRONIC STANDALONE PWM DRIVER, UL LISTED ENCLOSURE PROVIDED BY OTHERS.	90W	120-277V / 24V	0-10V <10%	IP67	UR CLASS 2	6.73" X 2.48" X 1.48"
DELI901241CPWM	MEANWELL ELECTRONIC PWM DRIVER.	90W	120-277V / 24V	0-10V <10%	NEMA1 ENCLOSURE	UL CLASS 2	10" x 10" x 4"
DELI1802242CPWM	MEANWELL ELECTRONIC PWM DRIVER.	2X90W	120-277V / 24V	0-10V <10%	NEMA1 ENCLOSURE	UL CLASS 2	12" x 12" x 4"
DELI2703243CPWM	MEANWELL ELECTRONIC PWM DRIVER.	3X90W	120-277V / 24V	0-10V <10%	NEMA1 ENCLOSURE	UL CLASS 2	12" x 12" x 4"

MAXIMUM INTERCONNECTED TAPE LENGTH PER DRIVER

Fixture Wattage	Driver Wattage								
	2.7W/ft	40W	60W	96W	90W	2X90W	3X90W	100W	2X100
	11FT	17FT	28FT	26FT	(2) 26FT	(3) 26FT	29FT	(2) 29FT	