

U01

UNDERWATER: CHLORINATED WATER & FRESHWATER
 In-grade | Submersed under water up to 10' (3m) depth.

- Underwater/Swimming Pool Certified

CSA - CLASS 3425 09 -Submersible

CSA - CLASS 3425 89 -Submersible - Certified to US Standards



Ordering Information

Clear Form

Date : _____ Quantity : _____

Project : _____ Note : _____

Type : _____

Specifications

Luminaire | Example Code: U01-1-W303H-S-C-LM-0-MK1-B-6-S6

Product	Version	CCT & CRI	Beam Angle ¹	Glass Cover	Accessories ³ (optional)	Internal Angle Bracket ⁴	Mounting Kit ⁵ (optional)	Flange & Back Box	Lead Length ⁶	Trim Finish ⁷
U01	1 1W 2 2W	3-step MacAdam: W223S 2200K 80+ W303H 3000K 90+ W353H 3500K 90+ W413H 4100K 90+ 2-step MacAdam: W272H 2700K 90+ W302H 3000K 90+ W352H 3500K 90+	S Spot 12° N Narrow flood 30° W Wide flood 120°	C clear F frosted	LM louver, matte anodized LB louver, black anodized HM hex louver, matte anodized HB hex louver, black anodized AB angled louver, black anodized SB straight louver, black anodized QB square louver, black anodized RB ring louver, black anodized PL Pinhole louver	0 no angle 20 20° angle X custom	MK1 vertical surface	B back box F flange only	6 6' (1830mm) X custom	Stainless Steel Finishes: S6 stainless steel 316 PS6 polished stainless steel BT0 black stainless steel Other Materials: ABZ antique bronze

System Components (Ordered Separately)

Pool-certified power supply : _____

* Consult MP Lighting Website or Factory.

Order Guide Important Notes

Specification

1. See Light Distribution section for illustration of different combinations of beam angles and angle bracket.
2. Louvers will be below the glass cover. Only available when there is no Internal Angle Bracket.
3. Internal angle bracket is factory set, and cannot be field adjusted. 5° increments to maximum of 20° without accessories.
4. Mounting kit is ordered separately. Please consult factory.
5. Custom lengths available by 1' increments.
6. Different finish options are only applicable to trim ring and not for LED module housing. Refer to Appendix or MP Lighting website for complete look of luminaire with different trim finish options.

Warranty Notes & Disclaimer

Malfunction and damage to product due to incompatible dimming system or misuse will not be covered under warranty. Consult MP Lighting for recommended drivers. If the fixture has an option to be installed with a dimming control system, consult a dimming system manufacturer with minimum load before installing. MP Lighting reserves the right, at its sole discretion, at any time and without notice, to make design changes to any of our products. Consult MP Lighting website for most updated documentation.

U01

UNDERWATER: CHLORINATED WATER & FRESHWATER

In-grade | Submersed under water up to 10' (3m) depth.

- Underwater/Swimming Pool Certified

CSA - CLASS 3425 09 -Submersible

CSA - CLASS 3425 89 -Submersible - Certified to US Standards



Performance

Wattage	Supply Voltage	Power Consumption Budget per fixture (including driver)	LED Output (Source)	Fixture Output (Delivered)
1W	12V	1.3W	110 lm	47-62 lm
2W	12V	2.6W	275 lm	75-79 lm

Application

Environment	Dry / Damp / Wet/ Underwater Location approved. IP 68.
Mounting	<p>Recessed: Designed to be cast into earth, gravel, or concrete for submersed applications.</p> <p>MK1 mounting kit (optional): Recommended for easy installation on vertical surfaces (e.g. stair risers, walls), and downward-facing surfaces (e.g. ceilings, soffits). See "Mounting Options & Dimensions," or visit https://www.mplighting.com/downloads/literature/inGrade/MKPresentation-2020-MK1.pdf</p>

Electrical

Electrical	Compatible with remote pool-certified power supplies
Control	On/off control

Luminaire Construction

Weight	1.8 lbs (0.816 kg). Typical stainless steel 316 Insert & Back Box only.
Material	Fixture: Stainless steel (316) with tempered glass.
Supplied with	Standard installation housing: Comes with a 304 stainless steel square back box, an brass/stainless steel 316 flange, an integral leveling device, a plastic cap, gel filled wire nuts, and silicone grease.
Warranty & LED Life	5 years limited warranty Estimated useful life of LED is 50,000 hours.

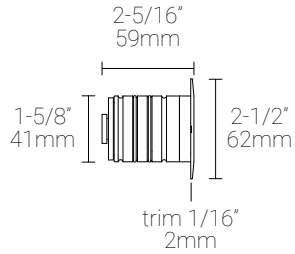
Ordered Separately

System Components	<p>Power supplies: remote power supply</p> <p>Mounting kits: MK1</p>
-------------------	--

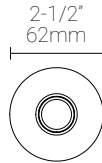
Mounting Options & Dimensions

LED Insert Dimensions

Fixture



Top View

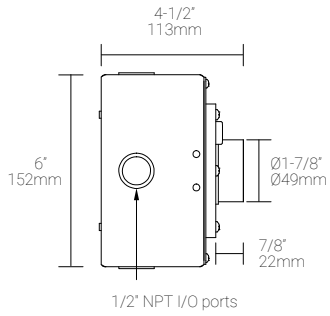


3D View

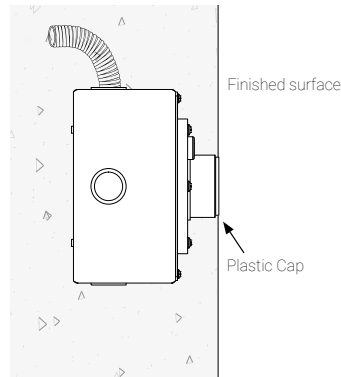


In-ground Installation (shown with MP Lighting Back Box)

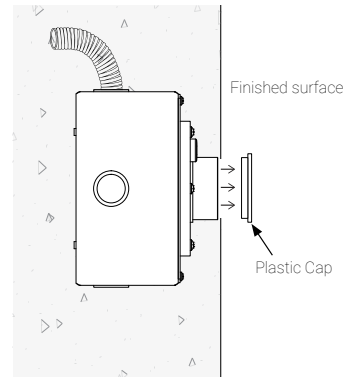
Box with Standard Flange



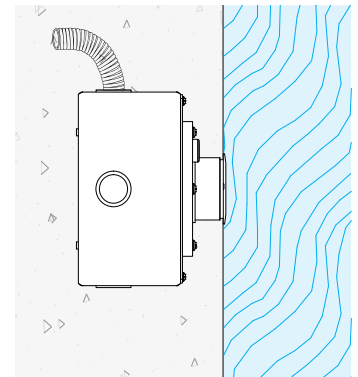
Box with Short Flange:
During Concrete Installation



Box with Short Flange:
Complete Concrete Installation



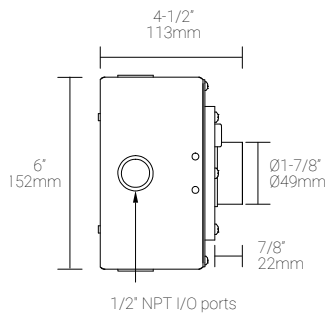
Box with Short Flange :
Complete Concrete Installation



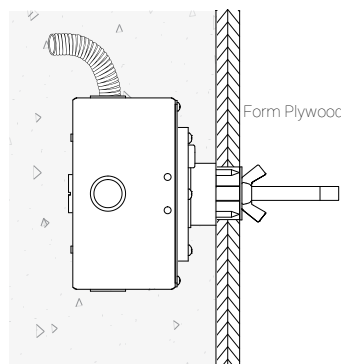
Mounting Kits

MK1: Ceiling, Wall, and Stair Riser Installation (shown with MP Lighting Back Box)

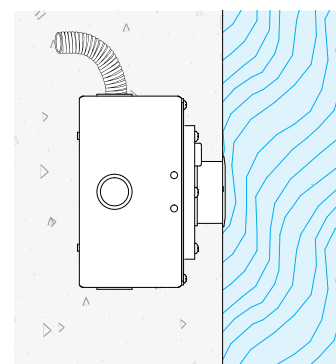
Box with Standard Flange



Box with Standard Flange & MK1:
During Installation

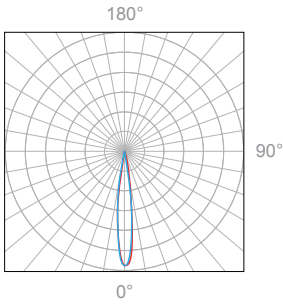


Box with Standard Flange:
Complete Installation

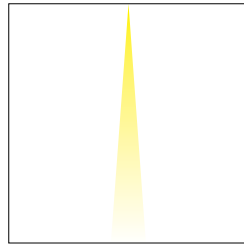


6" (152mm) threaded rod is supplied. Thread size: 3/8"-16

Polar Candela Distribution



Beam Width: 12°

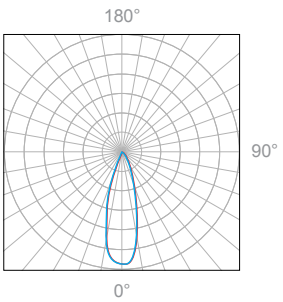


Illuminance at a Distance

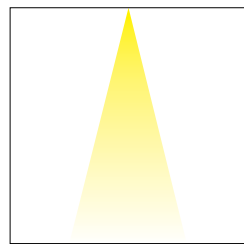
Distance		Center Beam fc	Beam Width			
1.5ft	0.46m	295fc	0.5ft	0.15m	0.5ft	0.15m
3.0ft	0.91m	73fc	1.0ft	0.30m	1.0ft	0.30m
4.5ft	1.37m	33fc	1.6ft	0.49m	1.6ft	0.49m
6.0ft	1.83m	19fc	2.1ft	0.64m	2.1ft	0.64m
7.5ft	2.29m	12fc	2.6ft	0.79m	2.6ft	0.79m
9.0ft	2.74m	9.4fc	3.1ft	0.95m	3.1ft	0.95m

Delivered Lumen: 49lm
 ■ Vertical Beam Spread: 14.0°
 ■ Horizontal Beam Spread: 14.3°

Polar Candela Distribution



Beam Width: 30°

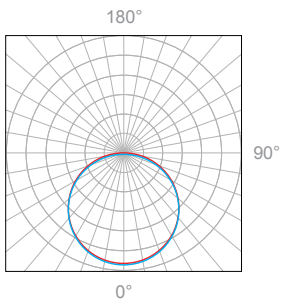


Illuminance at a Distance

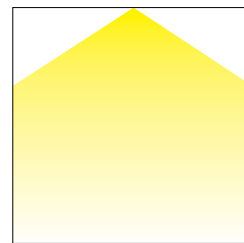
Distance		Center Beam fc	Beam Width			
1.5ft	0.46m	175fc	0.8ft	0.24m	0.8ft	0.24m
3.0ft	0.91m	43fc	1.7ft	0.52m	1.6ft	0.49m
4.5ft	1.37m	20fc	2.5ft	0.76m	2.5ft	0.76m
6.0ft	1.83m	12fc	3.3ft	1.01m	3.3ft	1.01m
7.5ft	2.29m	8.5fc	4.2ft	1.28m	4.1ft	1.25m
9.0ft	2.74m	6.4fc	5.0ft	1.52m	4.9ft	1.52m

Delivered Lumen: 62lm
 ■ Vertical Beam Spread: 32.5°
 ■ Horizontal Beam Spread: 32.1°

Polar Candela Distribution



Beam Width: 120°

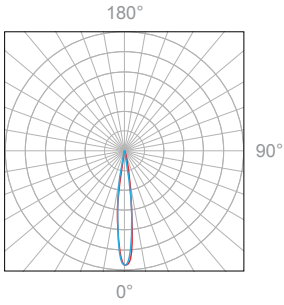


Illuminance at a Distance

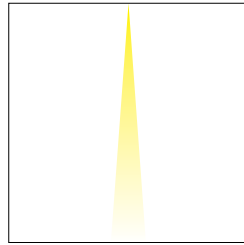
Distance		Center Beam fc	Beam Width			
1.5ft	0.46m	15fc	4.8ft	1.46m	4.9ft	1.49m
3.0ft	0.91m	4.4fc	9.6ft	2.93m	9.8ft	2.99m
4.5ft	1.37m	2.1fc	14.4ft	4.39m	14.7ft	4.48m
6.0ft	1.83m	1.2fc	19.3ft	5.88m	19.6ft	5.97m
7.5ft	2.29m	0.8fc	24.1ft	7.35m	24.5ft	7.47m
9.0ft	2.74m	0.6fc	28.9ft	8.81m	29.4ft	8.96m

Delivered Lumen: 47lm
 ■ Vertical Beam Spread: 116.1°
 ■ Horizontal Beam Spread: 117.1°

Polar Candela Distribution



Beam Width: 12°

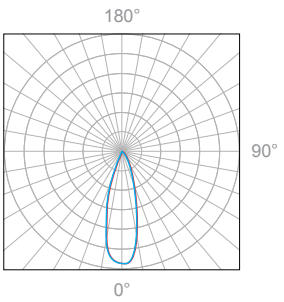


Illuminance at a Distance

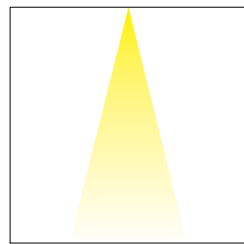
Distance		Center Beam fc	Beam Width			
1.5ft	0.46m	525fc	0.5ft	0.15m	0.5ft	0.15m
3.0ft	0.91m	140fc	1.0ft	0.30m	1.0ft	0.30m
4.5ft	1.37m	62fc	1.6ft	0.49m	1.6ft	0.49m
6.0ft	1.83m	35fc	2.1ft	0.64m	2.1ft	0.64m
7.5ft	2.29m	23fc	2.6ft	0.79m	2.6ft	0.79m
9.0ft	2.74m	16fc	3.1ft	0.95m	3.1ft	0.95m

Delivered Lumen: 78lm
 ■ Vertical Beam Spread: 19.2°
 ■ Horizontal Beam Spread: 19.2°

Polar Candela Distribution



Beam Width: 30°

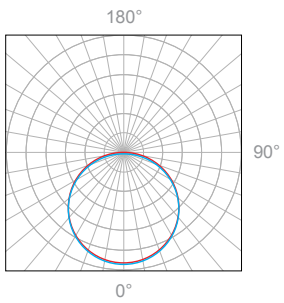


Illuminance at a Distance

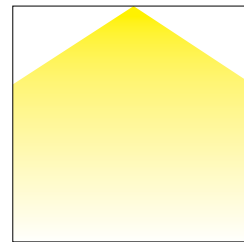
Distance		Center Beam fc	Beam Width			
1.5ft	0.46m	335fc	0.8ft	0.24m	0.8ft	0.52m
3.0ft	0.91m	82fc	1.5ft	0.46m	1.5ft	0.46m
4.5ft	1.37m	38fc	2.3ft	0.70m	2.3ft	0.70m
6.0ft	1.83m	23fc	3.1ft	0.94m	3.0ft	0.91m
7.5ft	2.29m	15fc	3.8ft	1.16m	3.8ft	1.16m
9.0ft	2.74m	11fc	4.6ft	1.40m	10.4ft	1.40m

Delivered Lumen: 79lm
 ■ Vertical Beam Spread: 28.5°
 ■ Horizontal Beam Spread: 28.5°

Polar Candela Distribution



Beam Width: 120°



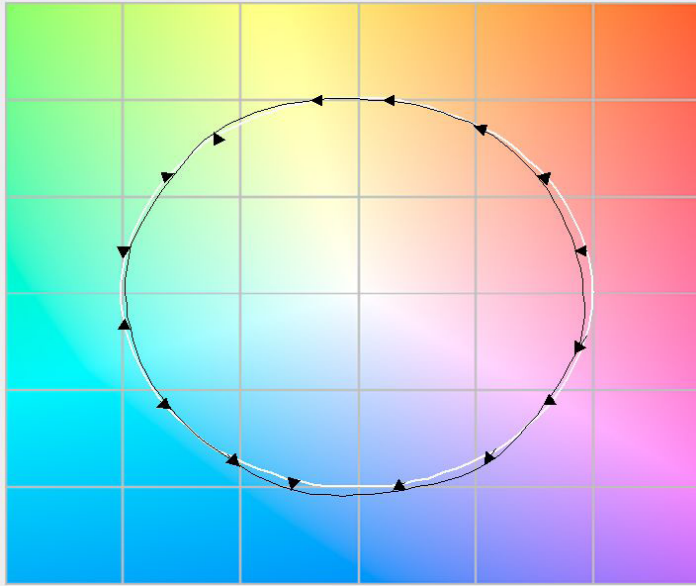
Illuminance at a Distance

Distance		Center Beam fc	Beam Width			
1.5ft	0.46m	28fc	4.8ft	1.46m	4.9ft	1.49m
3.0ft	0.91m	8fc	9.6ft	2.93m	9.7ft	2.96m
4.5ft	1.37m	4fc	14.4ft	4.39m	14.6ft	4.45m
6.0ft	1.83m	2.5fc	19.2ft	5.85m	19.4ft	5.91m
7.5ft	2.29m	1.8fc	24.0ft	7.32m	24.3ft	7.41m
9.0ft	2.74m	1.4fc	28.9ft	8.81m	29.1ft	8.87m

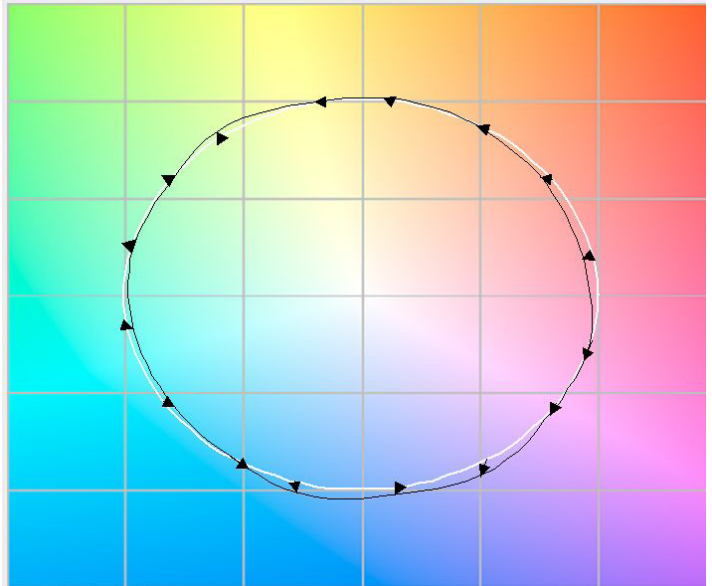
Delivered Lumen: 75lm
 ■ Vertical Beam Spread : 116.1°
 ■ Horizontal Beam Spread : 116.6°

TM30 Report

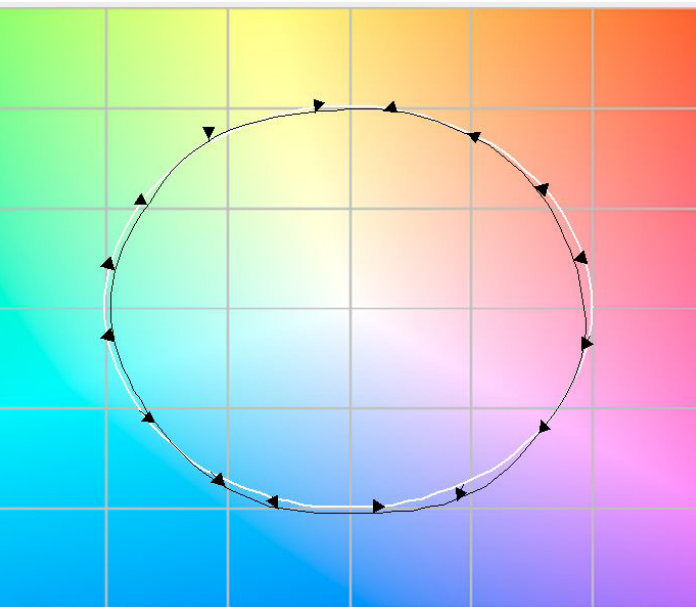
2700K, 90+CRI



3000K, 90+CRI



3500K, 90+CRI



Light Distribution | 10ft Wall | Fixtures intalled 6" (152mm) away from the wall

U01 | 2W | 0° angle bracket | 10ft wall | Clear Lens | 3000K



From left to right:
PL Pinhole louver 10°
S Spot 12°
N Narrow flood 30°
W Wide flood 120°

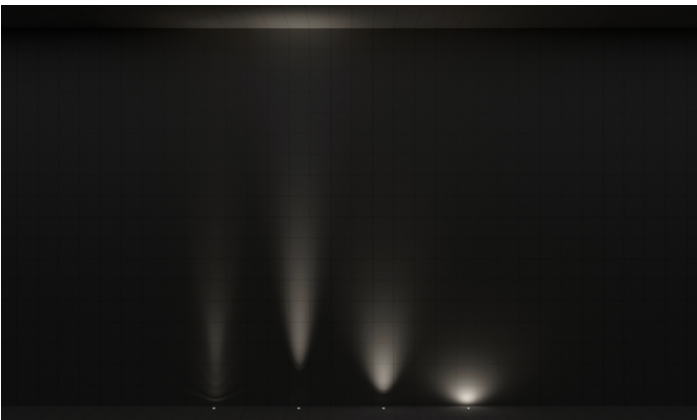
U01 | 2W | 20° angle bracket | 10ft wall | Clear Lens | 3000K



From left to right:
PL Pinhole louver 10°
S Spot 12°
N Narrow flood 30°
W Wide flood 120°

Light Distribution | 18ft Wall | Fixtures intalled 6" (152mm) away from the wall

U01 | 2W | 0° angle bracket | 18ft wall | Clear Lens | 3000K



From left to right:
PL Pinhole louver 10°
S Spot 12°
N Narrow flood 30°
W Wide flood 120°

U01 | 2W | 20° angle bracket | 18ft wall | Clear Lens | 3000K



From left to right:
PL Pinhole louver 10°
S Spot 12°
N Narrow flood 30°
W Wide flood 120°

* Images will appear darker when printed.

Appendix

Stainless Finishes



S6 stainless steel 316



PS6 polished stainless steel



BT0 black stainless steel

Other Materials



ABZ antique bronze

Accessories



LM louver, matte clear anodized



LB louver, black anodized



HM hex louver, matte clear anodized



HB hex louver, black anodized



AB angled louver, black anodized



SB straight louver, black anodized



QB square louver, black anodized



RB ring louver, black anodized



PL pinhole louver, matte clear anodized



PL pinhole louver, black anodized