

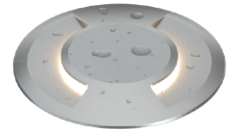
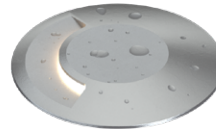
U08

UNDERWATER: CHLORINATED WATER & FRESHWATER
 In-grade | Submersed under water up to 10' (3m) depth.

- Underwater/Swimming Pool Certified

CSA - CLASS 3425 09 -Submersible

CSA - CLASS 3425 89 -Submersible - Certified to US Standards



Ordering Information

Clear Form

Date : _____

Project : _____

Type : _____

Quantity : _____

Note : _____

Specifications

Luminaire | Example Code: U08-2-W303H-S-MK1-B-6-S6

Product	Version	CCT & CRI	Aperture	Mounting Kit ¹ (optional)	Flange & Back Box ²	Lead Length ³	Trim Finish
U08							S6
	1 1W 2 2W	3-step MacAdam: W223S 2200K 80+ W303H 3000K 90+ W353H 3500K 90+ W413H 4100K 90+ 2-step MacAdam: W272H 2700K 90+ W302H 3000K 90+ W352H 3500K 90+	S single D double	MK1 vertical surface	B back box F flange only	6 6' (1830mm) X custom	S6 stainless steel 316

System Components (Ordered Separately)

Pool-certified power supply : _____

* Consult MP Lighting Website or Factory.

Order Guide Important Notes

Specification

1. Mounting kit is ordered separately. Please consult factory.
2. For components included, refer to Luminaire Construction section.
3. Custom lengths available by 1' increments.

Warranty Notes & Disclaimer

Malfunction and damage to product due to incompatible dimming system or misuse will not be covered under warranty. Consult MP Lighting for recommended drivers. If the fixture has an option to be installed with a dimming control system, consult a dimming system manufacturer with minimum load before installing. MP Lighting reserves the right, at its sole discretion, at any time and without notice, to make design changes to any of our products. Consult MP Lighting website for most updated documentation.

U08

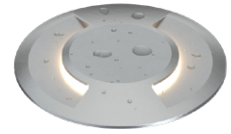
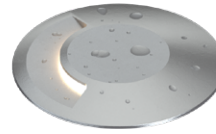
UNDERWATER: CHLORINATED WATER & FRESHWATER

In-grade | Submersed under water up to 10' (3m) depth.

- Underwater/Swimming Pool Certified

CSA - CLASS 3425 09 -Submersible

CSA - CLASS 3425 89 -Submersible - Certified to US Standards



Performance

Wattage	Supply Voltage	Power Consumption Budget per fixture (including driver)	LED Output (Source)	Fixture Output (Delivered)
1W	12V	1.3W	110 lm	47-62 lm
2W	12V	2.6W	275 lm	75-79 lm

Application

Environment	Dry / Damp / Wet/ Underwater Location approved. IP 68.
Mounting	Recessed: Designed to be cast into earth, gravel, or concrete for submersed applications. MK1 mounting kit (optional): Recommended for easy installation on vertical surfaces (e.g. stair risers, walls), and downward-facing surfaces (e.g. ceilings, soffits). See "Mounting Options & Dimensions," or visit MK1

Electrical

Power Supplies	Compatible with remote pool-certified power supplies
Control	On/off control

Luminaire Construction

Weight	1.8 lbs (0.816 kg). Typical stainless steel 316 Insert & Back Box only.
Material	Fixture: Stainless steel (316) with tempered glass.
Supplied with	Standard installation housing: Comes with a 304 stainless steel square back box, an brass/stainless steel 316 flange, an integral leveling device, a plastic cap, gel filled wire nuts, and silicone grease.
Warranty & LED Life	5 years limited warranty Estimated useful life of LED is 50,000 hours.

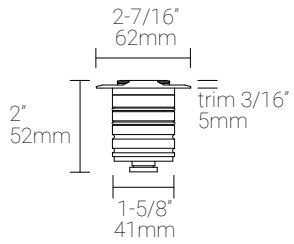
Ordered Separately

System Components	Power supplies: remote power supply Mounting kits: MK1
-------------------	---

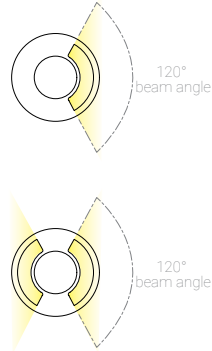
Mounting Options & Dimensions

LED Insert Dimensions

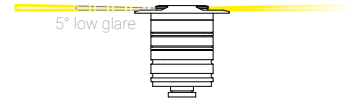
Fixture



Top View

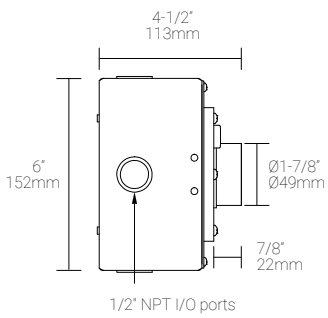


3D View: Double Aperture

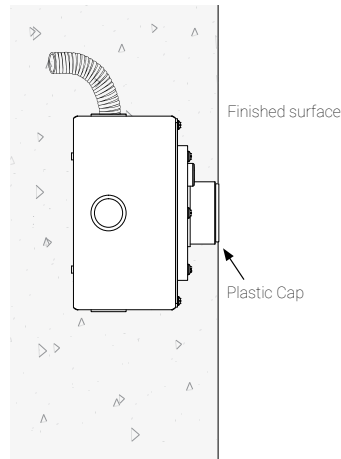


In-ground Installation (shown with MP Lighting Back Box | Order Code: EBX-SQR1-CSS6)

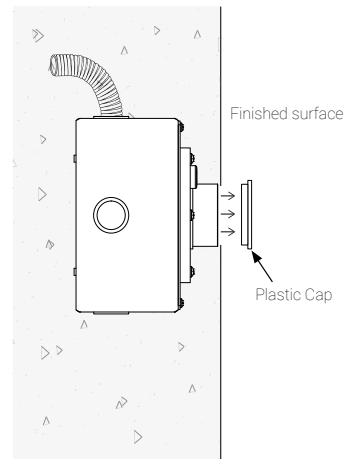
Box with Standard Flange



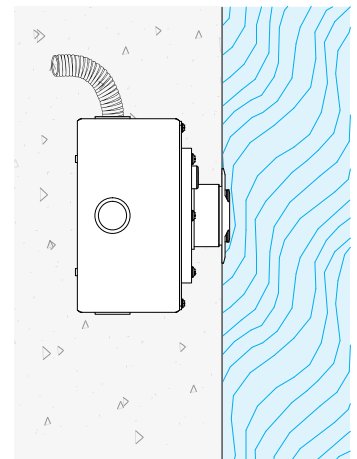
Box with Standard Flange:
During Concrete Installation



Box with Standard Flange:
Complete Concrete Installation



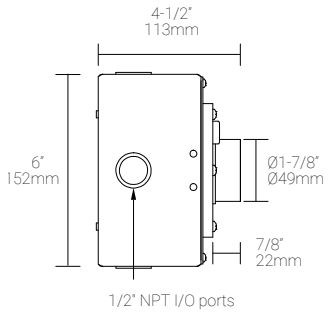
Box with Standard Flange :
Complete Concrete Installation



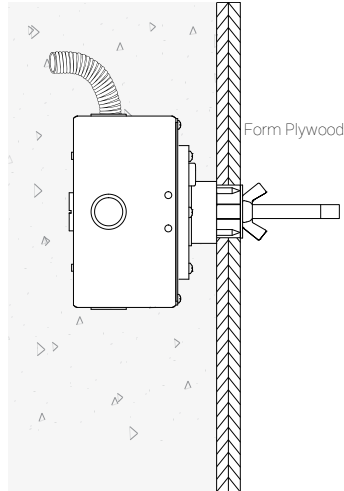
Mounting Kits

MK1: Ceiling, Wall, and Stair Riser Installation (shown with MP Lighting Back Box | Order Code: EBX-SQR1-CSS6)

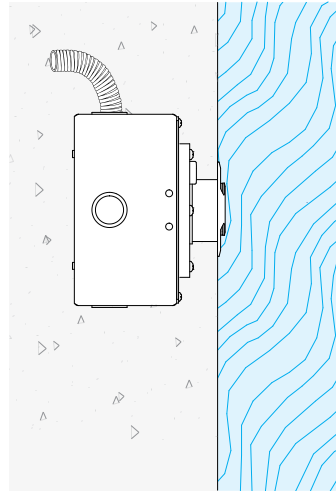
Box with Standard Flange



MK1 & Box with Standard Flange :
During Installation



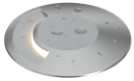
Fixture & Box with Standard Flange:
Complete Installation



6" (152mm) threaded rod is supplied. Thread size: 3/8"-16

Appendix

Single Aperture



S6 stainless steel 316

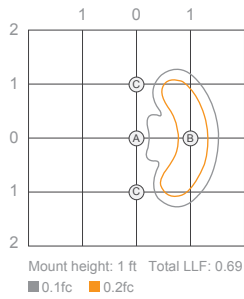
Double Aperture



S6 stainless steel 316

1W, 3000K, 90+ CRI

Isofootcandle Plot

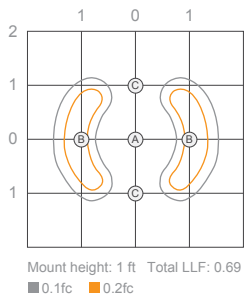


Illuminance at a Distance

Location	Center Beam fc
A	0.1fc
B	0.22fc
C	0.07fc

Delivered Lumen: 0.5lm

Isofootcandle Plot



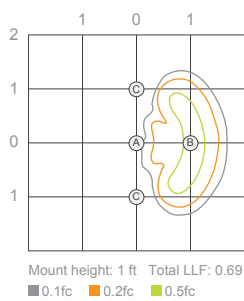
Illuminance at a Distance

Location	Center Beam fc
A	0.13fc
B	0.18fc
C	0.1fc

Delivered Lumen: 1 lm

2W, 3000K, 90+ CRI

Isofootcandle Plot

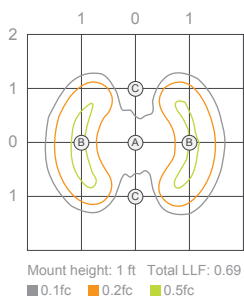


Illuminance at a Distance

Location	Center Beam fc
A	0.13fc
B	0.4fc
C	0.1fc

Delivered Lumen: 2 lm

Isofootcandle Plot



Illuminance at a Distance

Location	Center Beam fc
A	0.21fc
B	0.3fc
C	0.15fc

Delivered Lumen: 3.4 lm