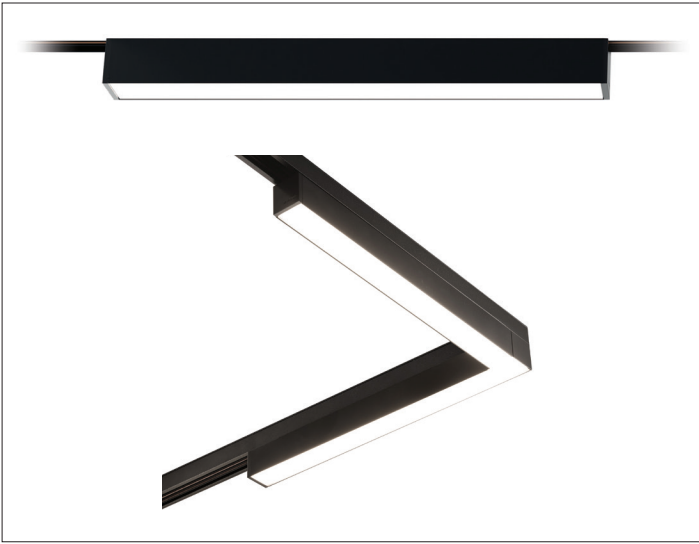
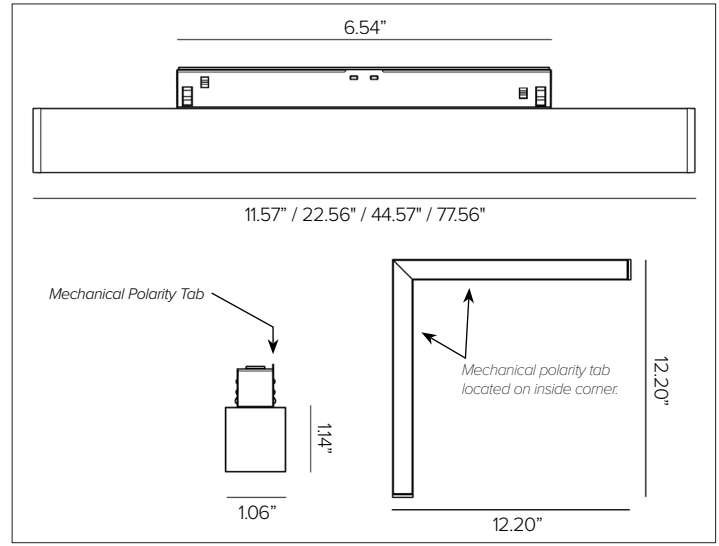


# FORTYEIGHT LOGICO 30

## Low Voltage LED Linear Track Luminaire



FORTYEIGHT LOGICO 30 shown in Deep Black finish. Top 12"L shown, bottom, 12"x12"L corner shown.



### CONCEPT

Professional low voltage linear LED track luminaire.

### MECHANICAL CHARACTERISTICS

<b>Dimensions</b>	1.06"W x 114"H
<b>Materials</b>	Extruded aluminum body, painted finish.
<b>Finish</b>	● Plaster White ● Deep Black
<b>Power Connection</b>	To be completed with FORTYEIGHT MULTISYSTEM low voltage polarized track.
<b>Functionality</b>	Tool-less installation, utilizing a mechanical fixture system that mounts to FORTYEIGHT MULTISYSTEM track system. <b>NOTE: Max of 4 connectors or 30ft of track per individual 96W power supply and/or 90W.</b> Can be used in combination with FORTYEIGHT fixture range to maximum of 90W per 96W, 48V driver.
<b>Mounting</b>	FORTYEIGHT MULTISYSTEM track system, sold separately. <b>Surface version NOT compatible with FORTYEIGHT RECESSED DEEP TRIMLESS track.</b>
<b>Weight</b>	0.29lbs
<b>Protection</b>	IP20

### CERTIFICATIONS

cULus Class 2 Listed  
 Tested in accordance with LM-79-08.  
 Compliant for California installations  
 RoHS3 EU 215/863

### WARRANTY

5 year limited warranty.

### SUSTAINABILITY

Luminaire designed for disposal/recycling at end-of-life. Replaceable LED light source and control gear by a Targetti technician.

### ELECTRICAL CHARACTERISTICS

<b>Power Supply</b>	Remote 48V driver required, refer to FORTYEIGHT MULTISYSTEM track spec sheet.
<b>Wattage</b>	7W / 13W / 26W / 46W
<b>Voltage</b>	48V
<b>Control</b>	0-10V group fixture control. For individual fixture control DALI or wireless DALI/Casambi. For wireless bluetooth control via Casambi, use DALI fixture in combination with APP1-M-C0-9519 wireless control interface, refer to FORTYEIGHT MULTISYSTEM track specification sheet for detailed information.

### SOURCE

High efficiency LED Chip on Board.

TM30	CCT (Nominal)	CRI	Rf	Rg	SDCM
	2700K	90	91	100	2
	3000K	90	91	101	2
	3500K	90	90	101	2
	4000K	90	90	99	2

### OPTIC

White MCPET reflector with polycarbonate opal lens.

Beam	107°	12"L	24"L	45" L	78"L	12"x12"L
<b>Delivered Lumens</b>	<b>3000K</b>	467Lm	934Lm	1868Lm	3269Lm	934Lm
	<b>4000K</b>	498Lm	996Lm	1993Lm	3487Lm	996Lm

Refer to photometry section for all fixture variations.

For 2700K lumen values use multiplier of 0.96 from 3000K. For 3500K lumen values use multiplier of 1.02 from 3000K.

<b>Efficacy</b>	77 Lm/W max. Refer to photometric graphs for specific values.
<b>Lifetime</b>	L90/B10 >30,000hrs at max TA +25°C L89/B10 >50,000hrs at max TA +25°C
<b>Photobiological Classification</b>	Low risk photobiological safety RG1

# FORTYEIGHT LOGICO 30

## SPECIFICATION INFORMATION



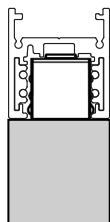
Ex: 48LOG30CR1030DB

1 - PRODUCT CODE	2 - TYPE	3 - LENGTH	4 - ADAPTER	5 - KELVIN	6 - FINISH	7 - TRACK
48 — FORTYEIGHT	LOG30 — LOGICO 30	12 — 12" 24 — 24" 45 — 45" 78 — 78" CR — 12"x12"	10 — 0-10V DA <sup>A</sup> — DALI/Wireless Casambi	27 — 2700K 30 — 3000K 35 — 3500K 40 — 4000K	PW — Plaster White DB — Deep Black	<b>REQUIRED</b> To be completed with FORTYEIGHT MULTISYSTEM TRACK <u>RECESSED TRIMLESS DEEP</u> or <u>SURFACE / SUSPENSION</u>

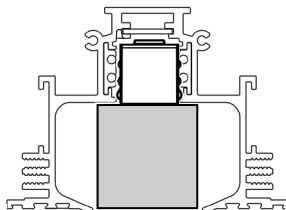
<sup>A</sup> For wireless bluetooth control via Casambi, use DALI fixture in combination with APP1-M-CO-9519 wireless control interface.

## MOUNTING COMPATIBILITY

FORTYEIGHT MULTISYSTEM SURFACE/ SUSPENSION TRACK shown with FORTYEIGHT LOGICO30 fixture version.



FORTYEIGHT RECESSED TRIMLESS DEEP TRACK shown with FORTYEIGHT LOGICO30 fixture version.



# FORTYEIGHT LOGICO 30

## PHOTOMETRY

12"



		3000K	H(m)	D(m)	Emax(lx)	
		Ra90		107°		
Fixture Power	7W	1	2.70	177		
Source Flux	750lm	2	5.41	44		
Fixture Flux	467lm	3	8.11	20		
Efficacy	67lm/W	4	10.81	11		
TS1075	I <sub>max</sub> =237cd/klm	I <sub>max</sub>	177cd	5	13.52	7



		4000K	H(m)	D(m)	Emax(lx)	
		Ra90		107°		
Fixture Power	7W	1	2.70	189		
Source Flux	800lm	2	5.41	47		
Fixture Flux	498lm	3	8.11	21		
Efficacy	71lm/W	4	10.81	12		
TS1075	I <sub>max</sub> =237cd/klm	I <sub>max</sub>	189cd	5	13.52	8

24"



		3000K	H(m)	D(m)	Emax(lx)	
		Ra90		107°		
Fixture Power	13W	1	2.70	355		
Source Flux	1500lm	2	5.41	89		
Fixture Flux	934lm	3	8.11	39		
Efficacy	72lm/W	4	10.81	22		
TS1075	I <sub>max</sub> =237cd/klm	I <sub>max</sub>	355cd	5	13.52	14



		4000K	H(m)	D(m)	Emax(lx)	
		Ra90		107°		
Fixture Power	13W	1	2.70	379		
Source Flux	1600lm	2	5.41	95		
Fixture Flux	996lm	3	8.11	42		
Efficacy	77lm/W	4	10.81	24		
TS1075	I <sub>max</sub> =237cd/klm	I <sub>max</sub>	379cd	5	13.52	15

45"



		3000K	H(m)	D(m)	Emax(lx)	
		Ra90		107°		
Fixture Power	26W	1	2.70	710		
Source Flux	3000lm	2	5.41	177		
Fixture Flux	1868lm	3	8.11	79		
Efficacy	72lm/W	4	10.81	44		
TS1075	I <sub>max</sub> =237cd/klm	I <sub>max</sub>	710cd	5	13.52	28



		4000K	H(m)	D(m)	Emax(lx)	
		Ra90		107°		
Fixture Power	26W	1	2.70	757		
Source Flux	3200lm	2	5.41	189		
Fixture Flux	1993lm	3	8.11	84		
Efficacy	77lm/W	4	10.81	47		
TS1075	I <sub>max</sub> =237cd/klm	I <sub>max</sub>	757cd	5	13.52	30

78"



		3000K	H(m)	D(m)	Emax(lx)	
		Ra90		107°		
Fixture Power	46W	1	2.70	1242		
Source Flux	5250lm	2	5.41	311		
Fixture Flux	3269lm	3	8.11	138		
Efficacy	71lm/W	4	10.81	78		
TS1075	I <sub>max</sub> =237cd/klm	I <sub>max</sub>	1242cd	5	13.52	50



		4000K	H(m)	D(m)	Emax(lx)	
		Ra90		107°		
Fixture Power	46W	1	2.70	1325		
Source Flux	5600lm	2	5.41	331		
Fixture Flux	3487lm	3	8.11	147		
Efficacy	76lm/W	4	10.81	83		
TS1075	I <sub>max</sub> =237cd/klm	I <sub>max</sub>	1325cd	5	13.52	53